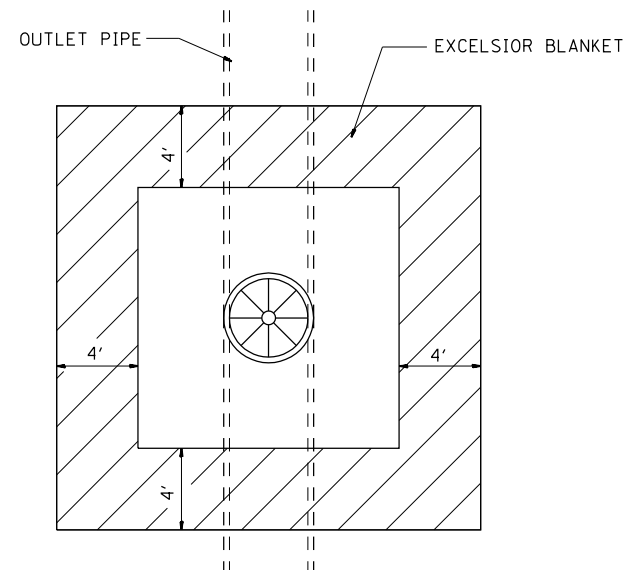
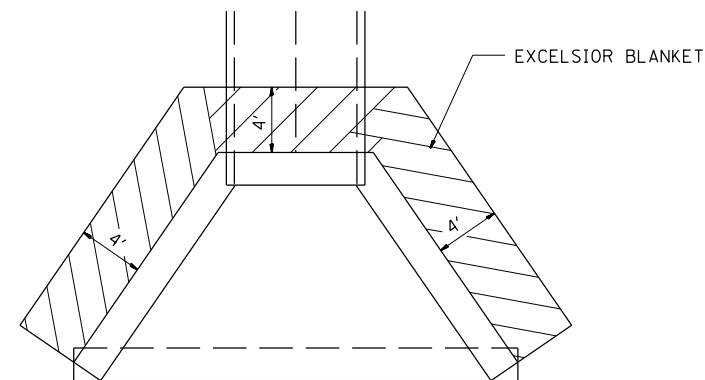


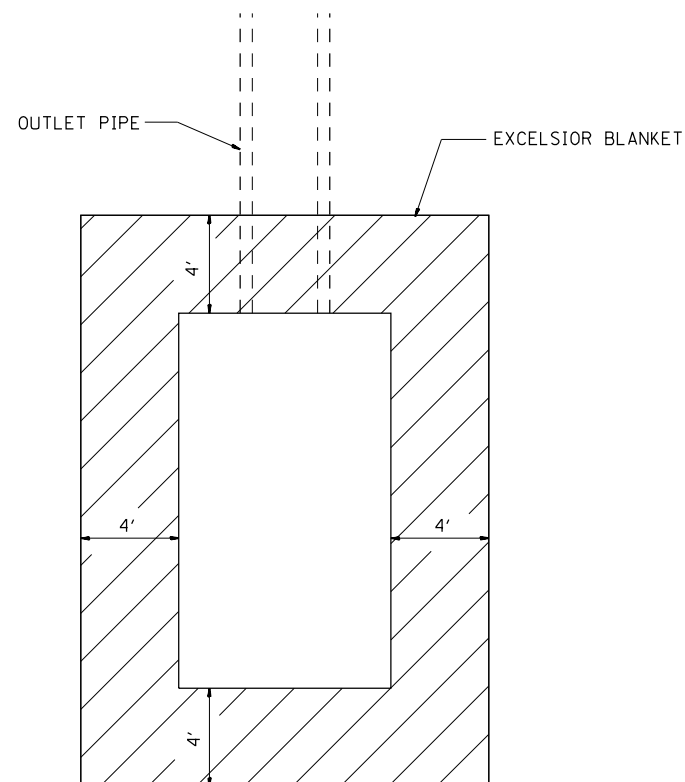
F.A.P. RTE.	SECTION	COUNTY	TOTAL SHEETS	SHEET NO.
304	2(B-5, B-6)	PIKE	112	79
STA.		TO STA.		
FED. ROAD DIST. NO. 6		ILLINOIS	FED. AID PROJECT	



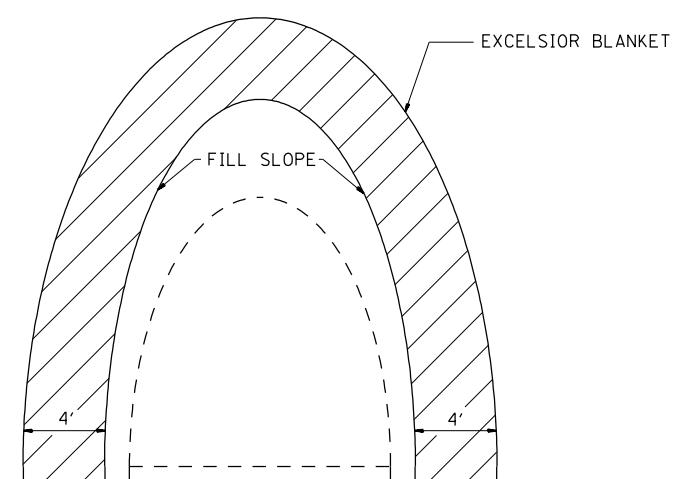
EXCELSIOR BLANKET AROUND
MANHOLE, TYPE A
W/TYPE 1 FRAME, CLOSED LID



EXCELSIOR BLANKET AROUND
HEADWALLS & CULVERT WINGWALLS



EXCELSIOR BLANKET AROUND
HEADWALL FOR PIPE UNDERDRAIN
STD 601101



EXCELSIOR BLANKET AROUND
FLARED END SECTION
STD 542301

REVISIONS	
NAME	DATE

ILLINOIS DEPARTMENT OF TRANSPORTATION

**HEAVY DUTY EXCELSIOR BLANKET
DETAILS**

SCALE: VERT.
HORIZ.
DATE

DRAWN BY
CHECKED BY