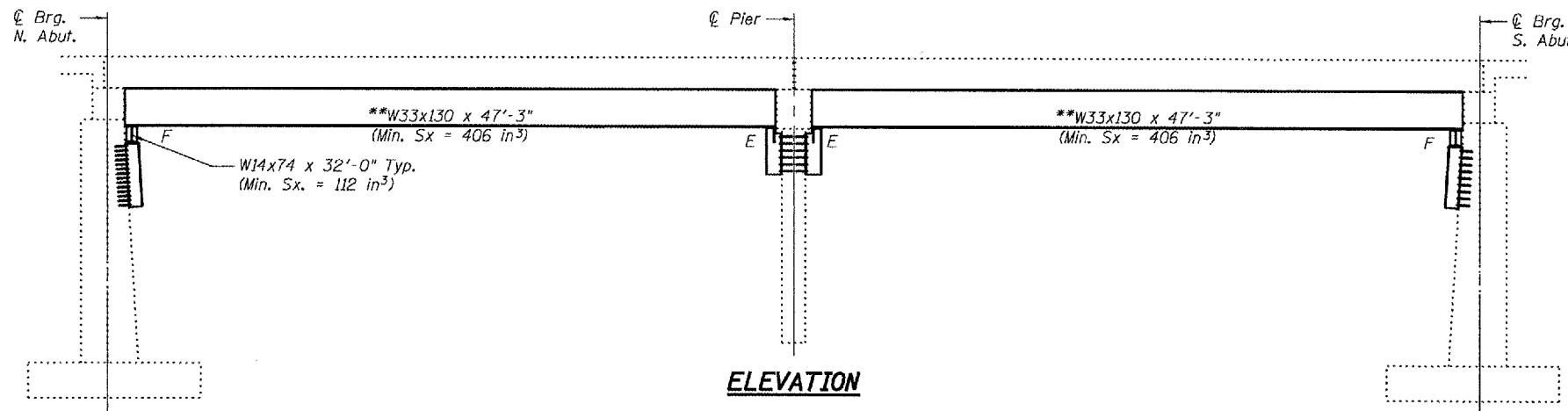


STATE OF ILLINOIS
DEPARTMENT OF TRANSPORTATION

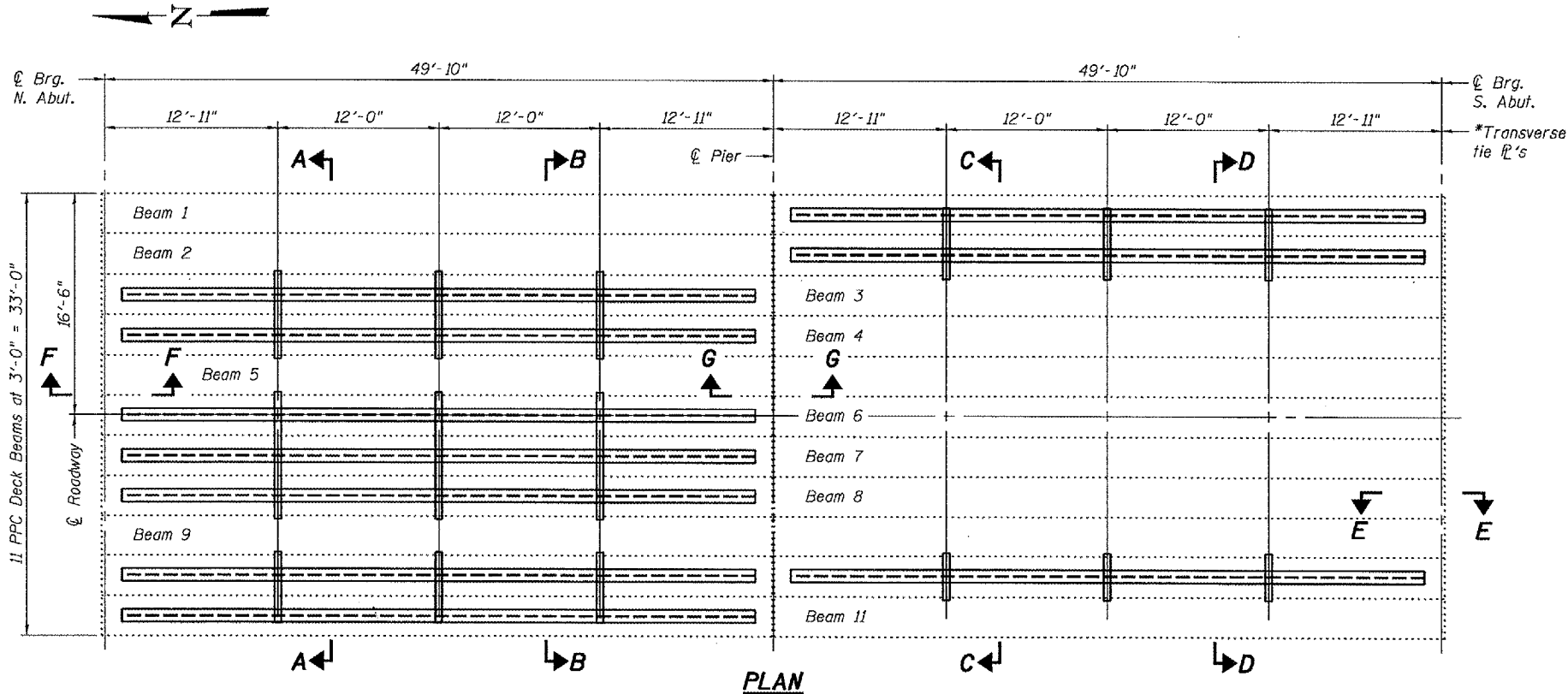
ROUTE NO.	SECTION	COUNTY	TOTAL SHEETS	SHEET NO.
		Macoupin	6	4
FED. ROAD DIST. NO. 7		ILLINOIS FED. AID PROJECT-		

SHEET NO. 1
3 SHEETS

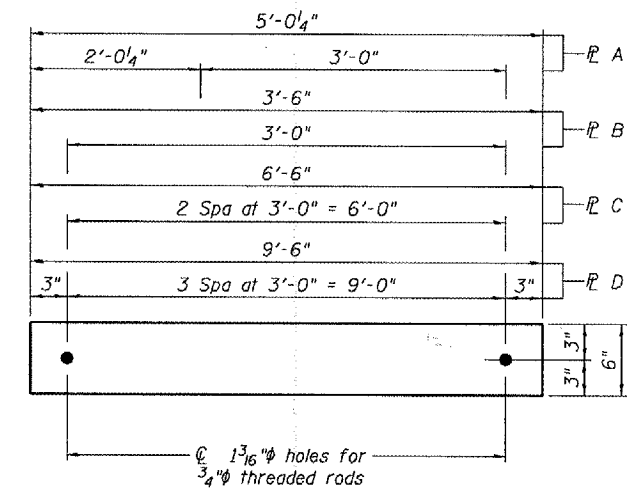
Contract Number: 72B50



ELEVATION



PLAN



TRANSVERSE TIE R'S
R A 1/2" x 5'-0 1/4" x 6" (6 Req'd)
R B 1/2" x 3'-6" x 6" (3 Req'd)
R C 1/2" x 6'-6" x 6" (3 Req'd)
R D 1/2" x 9'-6" x 6" (3 Req'd)

*Transverse tie R's (3 per span). Place additional shims at midpoints between tie R's. Securely weld shims to top flange of support beam. Minimum shim size is 6" x flange width.

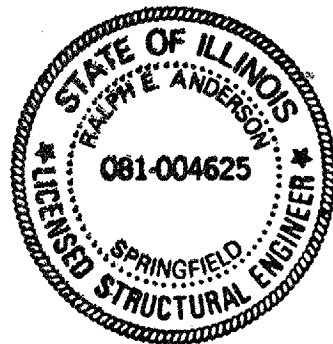
**Contractor is to verify beam length prior to ordering material. Other sections meeting the section modulus requirements shown may be allowed subject to approval by the Bureau of Bridges and Structures. Maximum Girder depth = 36". No additional payment will be allowed if the contractor chooses a heavier steel section than the one specified in the plans

TOTAL BILL OF MATERIAL

ITEM	UNIT	QUANTITY
Furnishing and Erecting Structural Steel	Pound	74,330

PLAN AND ELEVATION
F.A.P. RT. 608
MACOUPIN COUNTY
SN 059-0011

DESIGNED	Adrian J. Holloway	EXAMINED	August 30, 2007
CHECKED	Victor A. Votiz	PASSED	Palmer E. Anderson
DRAWN			
CHECKED	ATH UHV		



Expires: November 30, 2008