

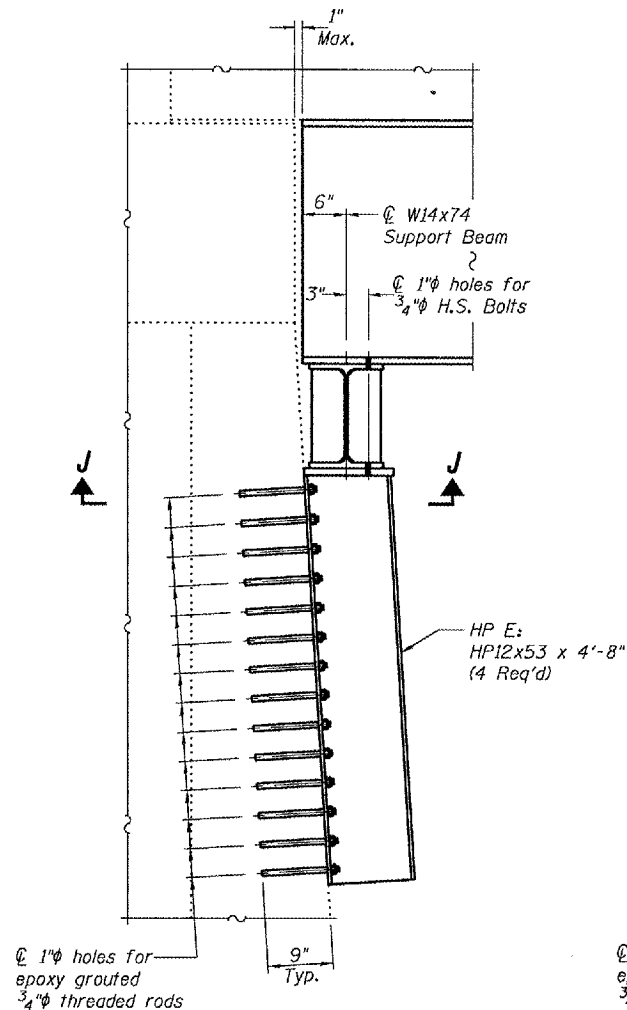
STATE OF ILLINOIS
DEPARTMENT OF TRANSPORTATION

ROUTE NO.	SECTION	COUNTY	TOTAL SHEETS	SHEET NO.
		Macoupin	6	6
FED. ROAD DIST. NO. 7	ILLINOIS	FED. AID PROJECT		

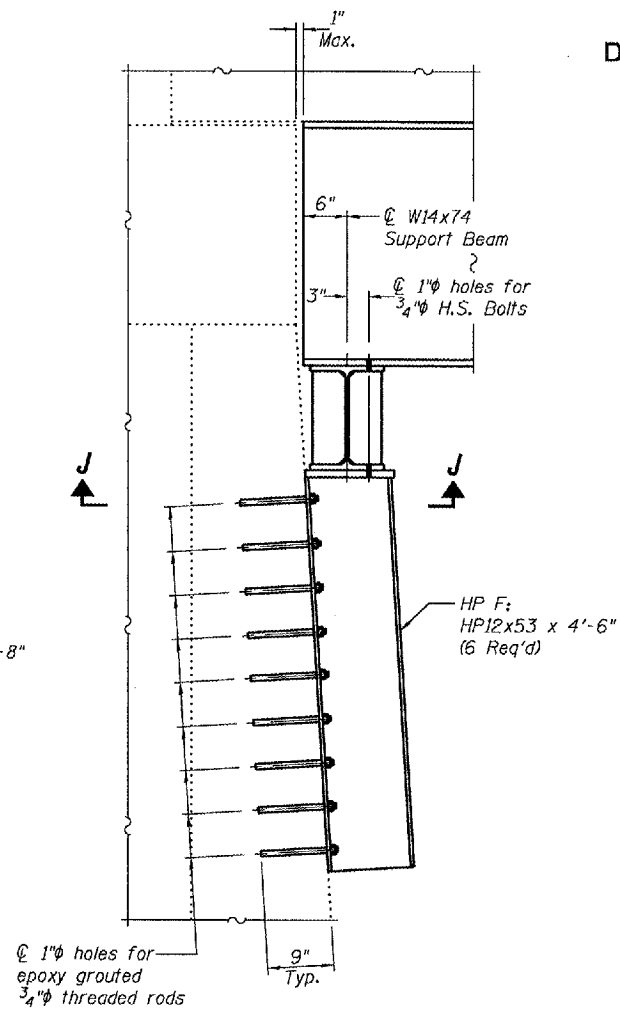
SHEET NO. 3

3 SHEETS

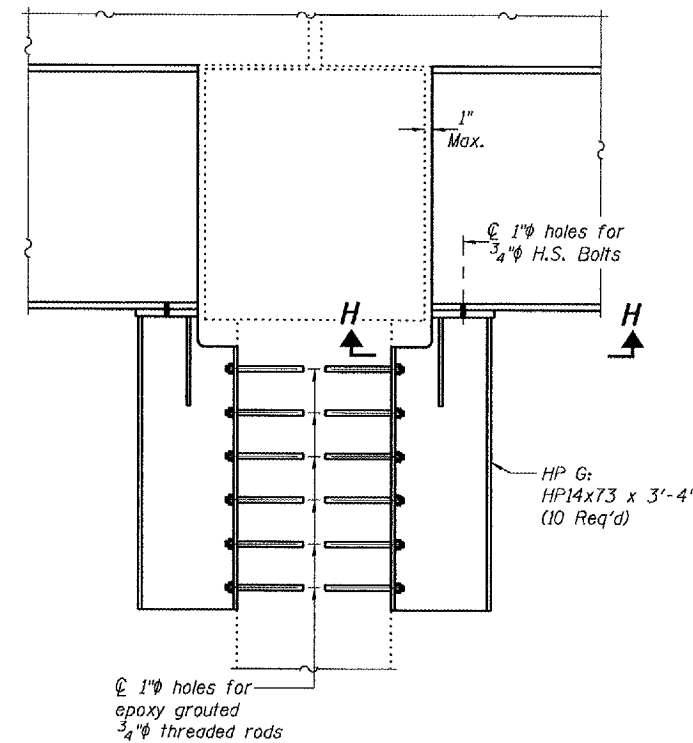
Contract Number: 72B50



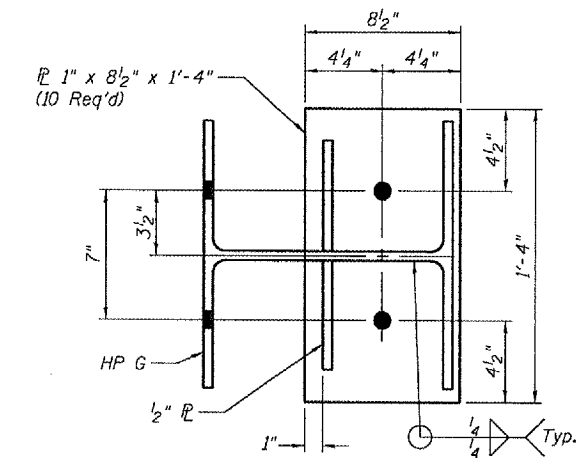
SECTION E-E
(Showing Edge Supports)



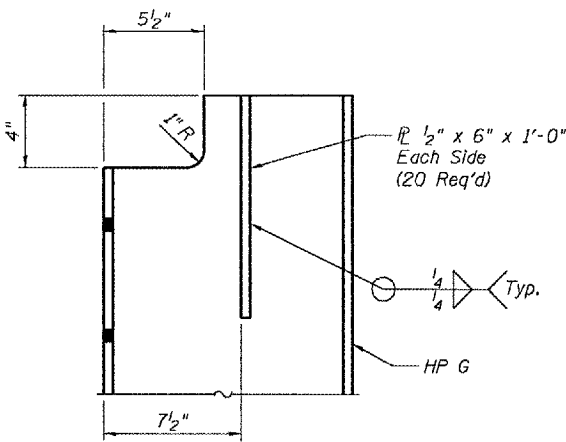
SECTION F-F
(Showing Interior Supports)



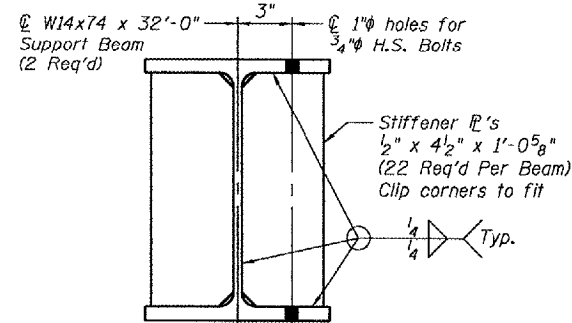
SECTION G-G



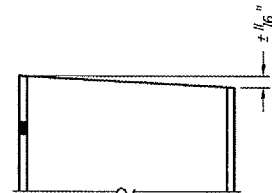
SECTION H-H



TYPICAL HP NOTCH
DETAIL AT PIER



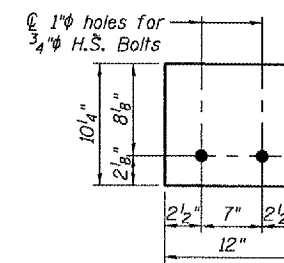
TYPICAL SUPPORT
BEAM SECTION



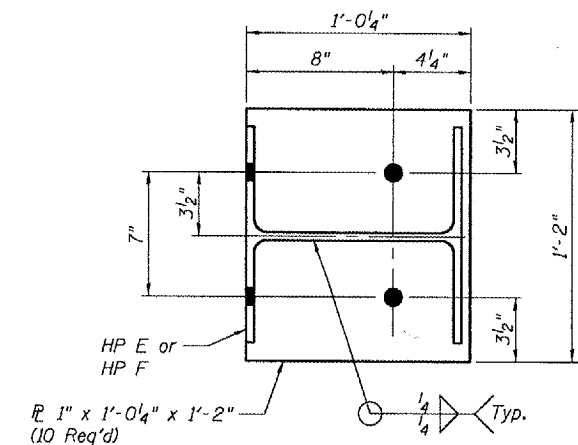
SLOPE CUT AT
ABUTMENT

SHIM R THICKNESS

Deck Beam	Abutment	"
2	South	9/16"
3	North	1 1/8"
4	North	1 1/4"
6	North	2 1/2"
7	North	2 3/16"
8	North	1 1/4"
10	Both	9/16"



TYPICAL SHIM



SECTION J-J

DESIGNED	A.T.H.
CHECKED	V.H.V.
DRAWN	Drew Christopher
CHECKED	A.T.H. V.H.V.

EXAMINED	August 30, 2007
PASSED	REPAIR PLANS UNIT CHIEF
	ENGINEER OF BRIDGES AND STRUCTURES

SUPPORT DETAILS
F.A.P. RT. 608
MACOUPIN COUNTY
SN 059-0011