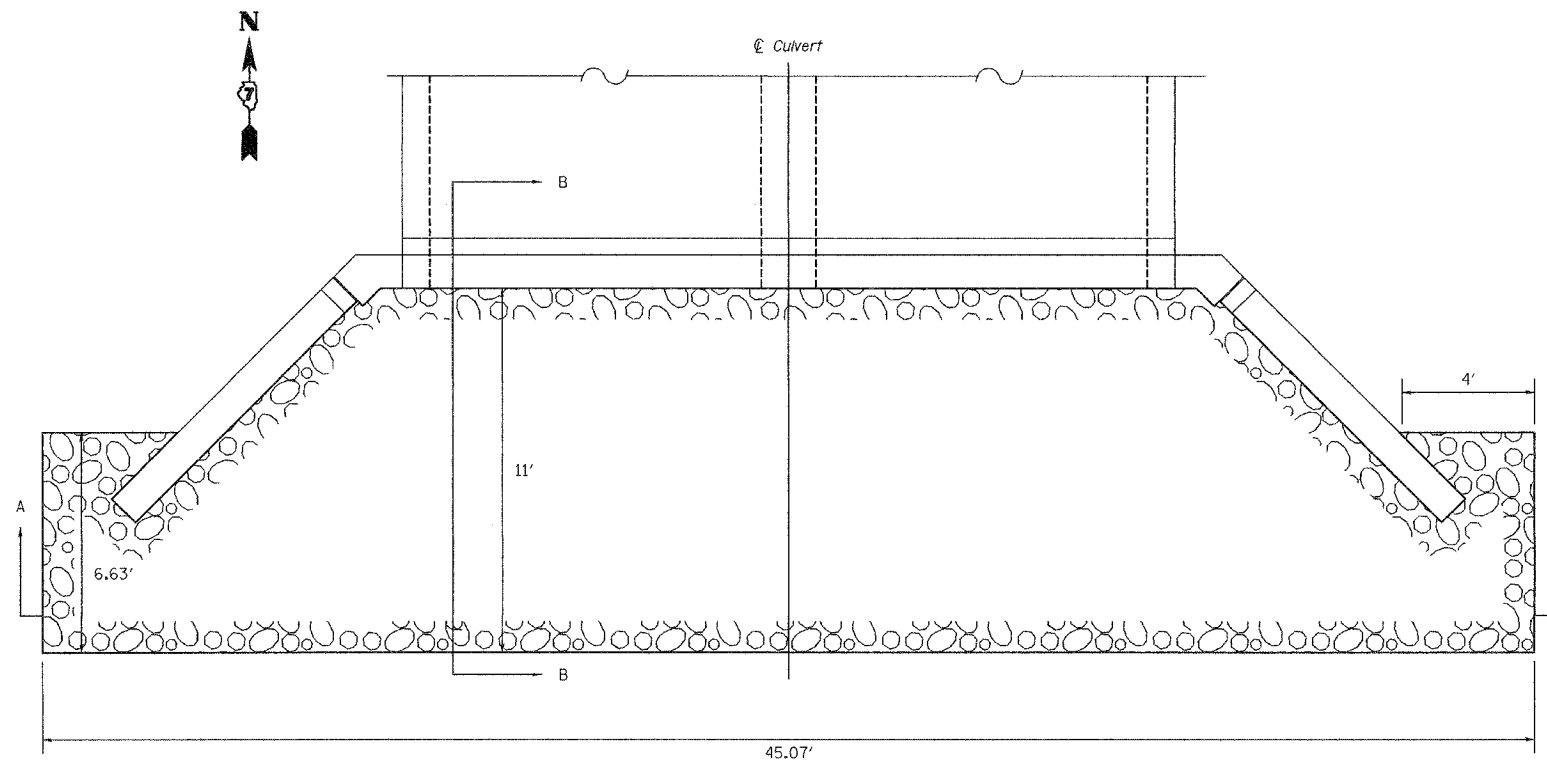


ROUTE NO.	SECTION	COUNTY	TOTAL SHEETS	SHEET NO.
SBI Rt. 15B	(17C)B	WAYNE	17	8
FED. ROAD DIST. NO. 7	ILLINOIS	FED. AID PROJECT		

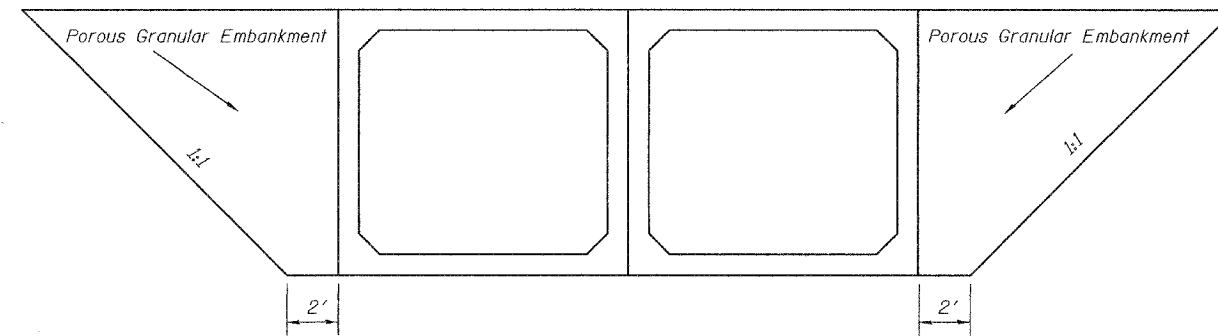
SHEET NO. 2
6 SHEET

CONTRACT NO. 74092



PLAN

South end shown, North end similar

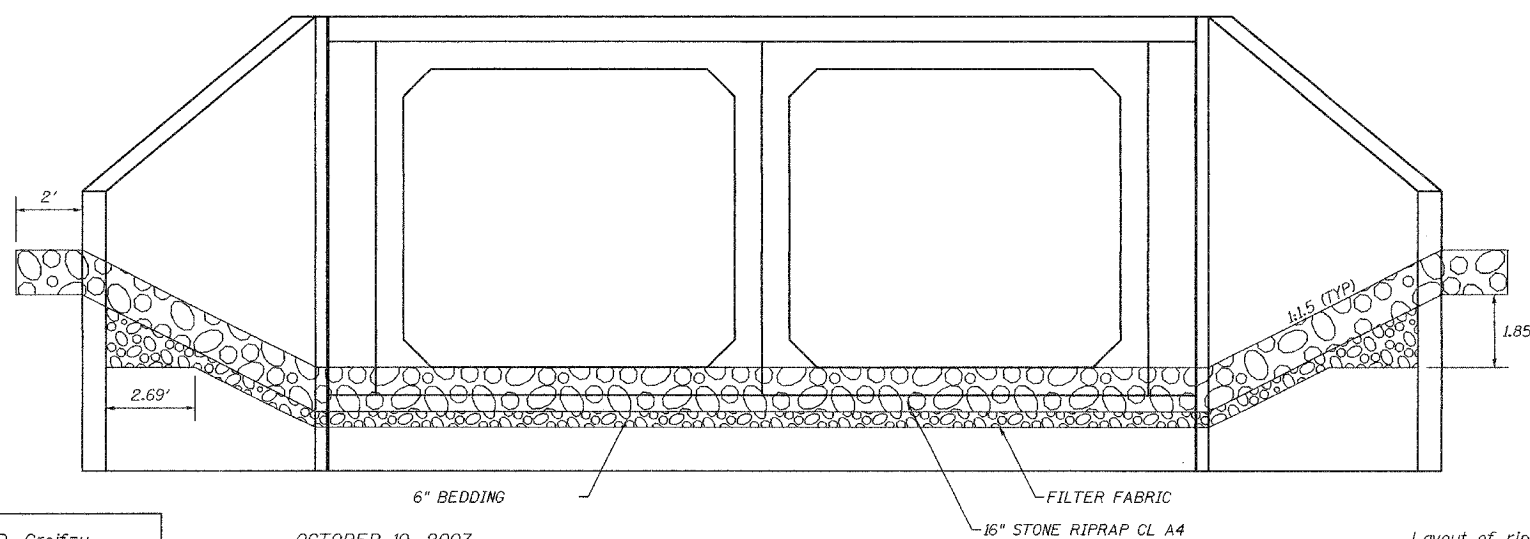


Limits of Porous Granular Embankment

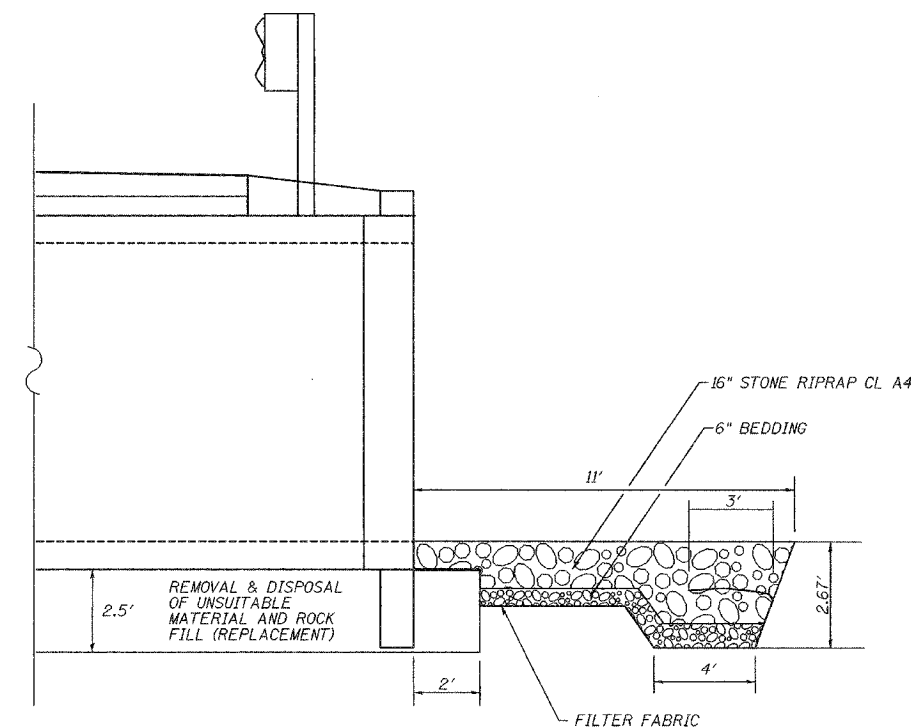
The limits shall be as shown above or as directed by the Engineer.

The granular material shall be compacted according to Article 205.06, or as directed by the Engineer.

That portion of the PGE outside the aggregate shoulders and behind the end section wingwalls shall be covered with a minimum of 1 foot of cohesive material as directed by the Engineer. Cost included with Porous Granular Embankment.



SECTION A-A



SECTION B-B

NOTES

Layout of riprap may be varied to suit ground conditions in the field as directed by the Engineer.

The limits of Removal and Disposal of Unsuitable Material and Rockfill (Replacement) shall be, in plan view, two feet outside the limits of the proposed box culvert and collar and in the vertical direction, as shown in Section B-B.

DESIGNED	D. Greifzu
CHECKED	S. Ryan
DRAWN	D. Greifzu
CHECKED	S. Ryan

OCTOBER 10, 2007
 EXAMINED *Thomas J. Domagalaki*
 ENGINEER OF BRIDGE DESIGN
 PASSED *Ralph E. Anderson*
 ENGINEER OF BRIDGES AND STRUCTURES

RIPRAP DETAILS
SBI ROUTE 15B - SECTION (17C)B
WAYNE COUNTY
STATION 1011+86.00
STRUCTURE NO. 096-2009