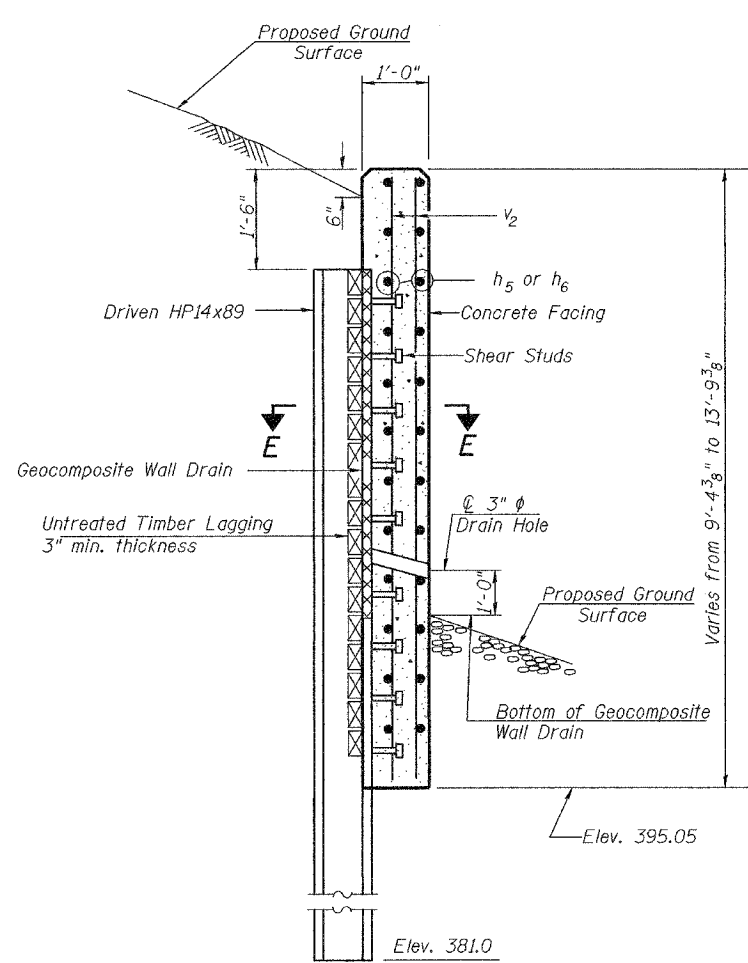


STATE OF ILLINOIS
DEPARTMENT OF TRANSPORTATION

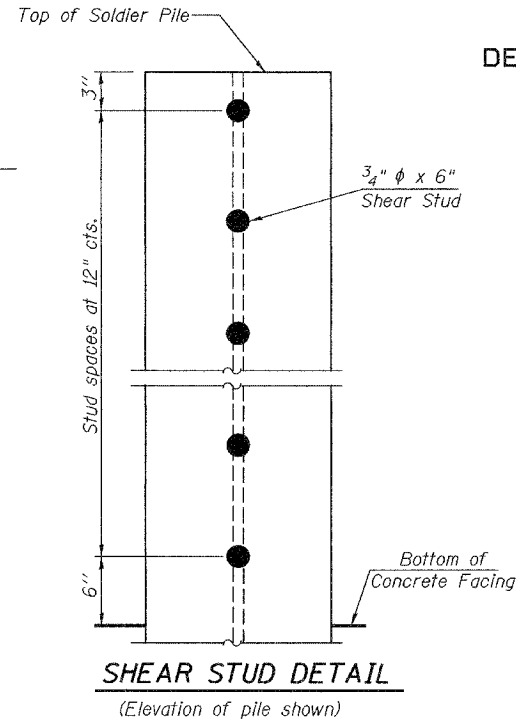
ROUTE NO.	SECTION	COUNTY	TOTAL SHEETS	SHEET NO.
SBI RT+15B	(17C)B	WAYNE	17	10
FED. ROAD DIST. NO. 7	ILLINOIS	FED. AID PROJECT-		

SHEET NO. 4
6 SHEET

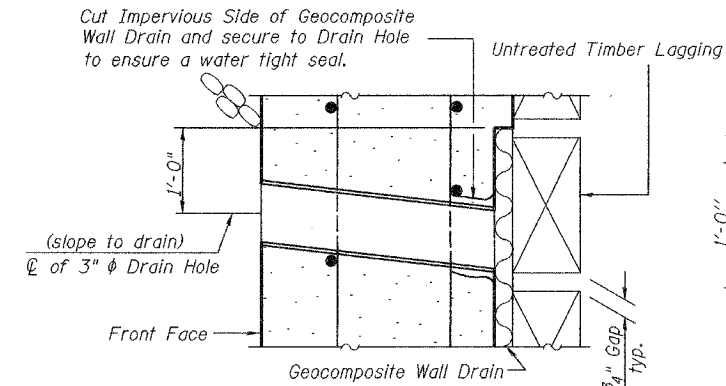
CONTRACT NO. T4092



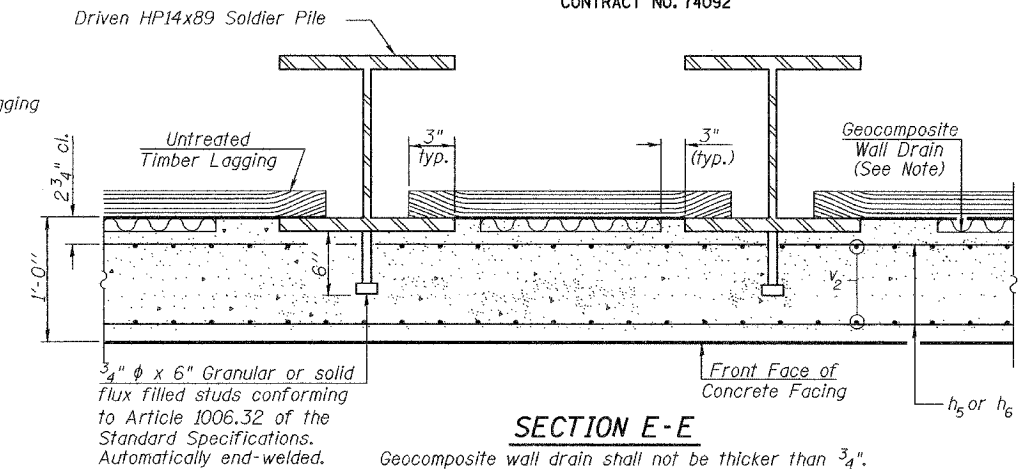
SECTION THRU WALL



SHEAR STUD DETAIL
(Elevation of pile shown)

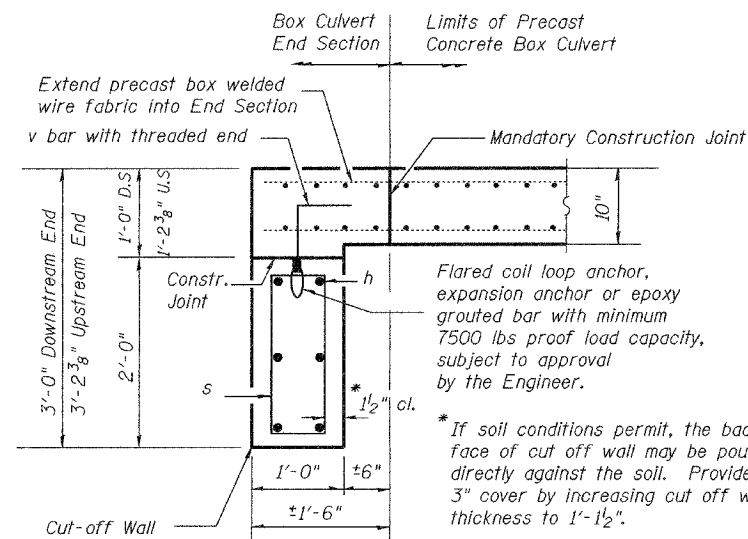


WINGWALL DRAIN HOLE DRAIN DETAIL

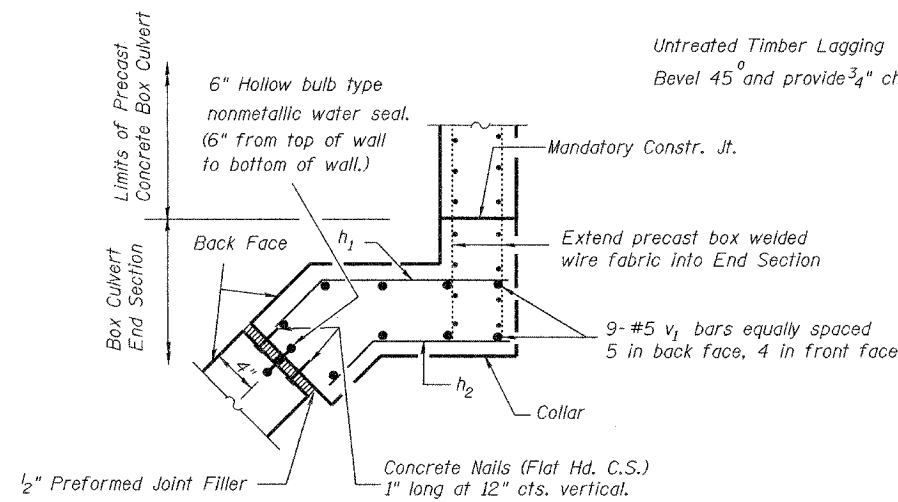


SECTION E-E

Geocomposite wall drain shall not be thicker than 3/4\"/>



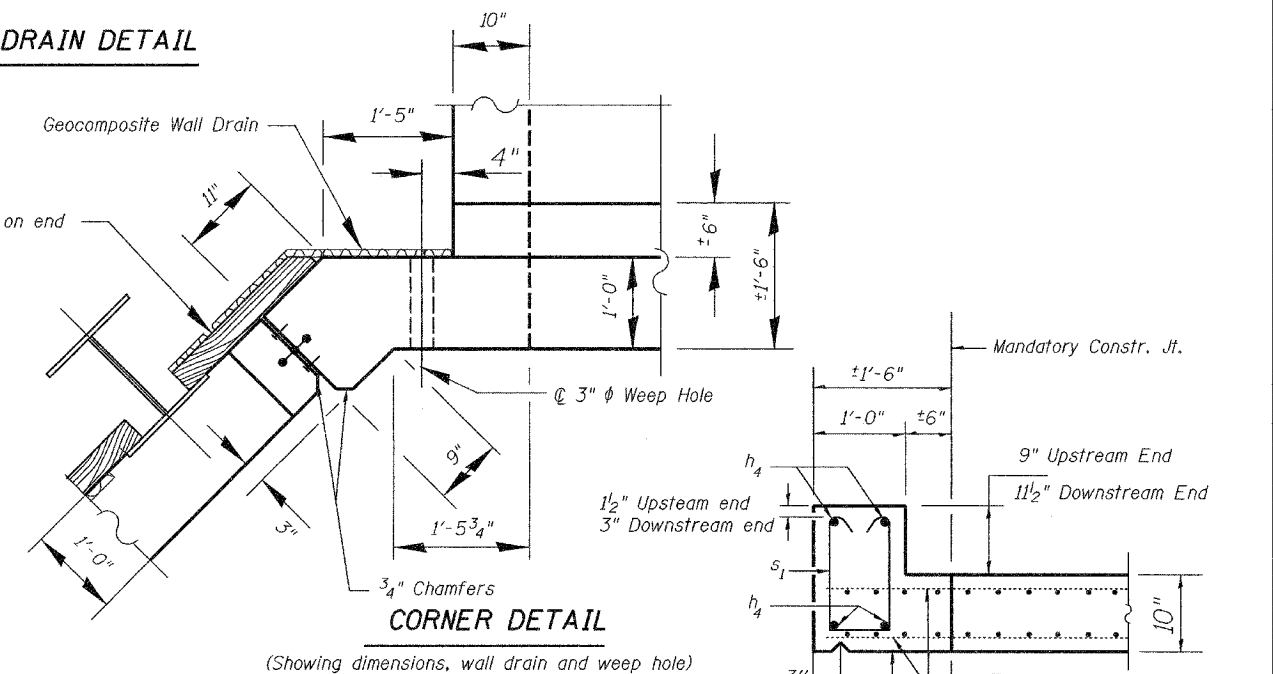
SECTION A-A



SECTION B-B
(Showing reinforcement and seal)

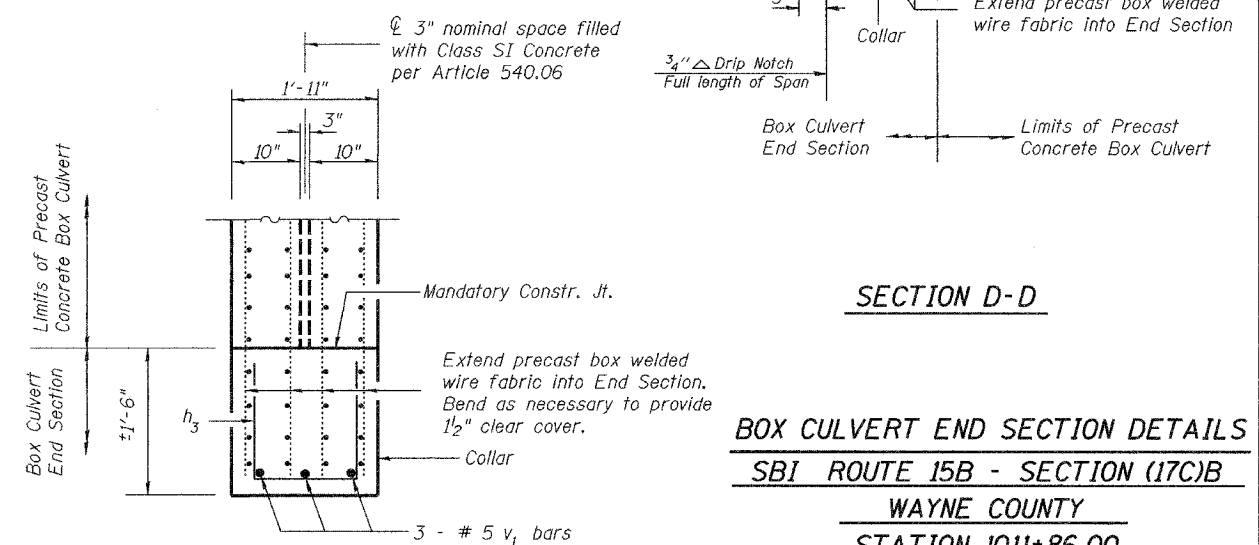
SEQUENCE OF WALL CONSTRUCTION

1. Build the cut-off wall
2. Place precast box sections
3. Drive soldier piles (may be driven prior to placing the boxes)
4. Install Untreated Timber Lagging
5. Place Geocomposite Wall Drain
6. Place and compact backfill behind wall
7. Install Stud Shear Connectors
8. Form concrete face and place rebar
9. Cast concrete face
10. Remove temporary soldier pile and associated timber lagging.
11. Place remainder of backfill to proposed finished ground surface in front and back of wall.



CORNER DETAIL

(Showing dimensions, wall drain and weep hole)



SECTION C-C

Tilt or adjust h₃ bar as necessary to fit

SECTION D-D

BOX CULVERT END SECTION DETAILS
SBI ROUTE 15B - SECTION (17C)B
WAYNE COUNTY
STATION 1011+86.00
STRUCTURE NO. 096-2009

DESIGNED	D. Greifzu
CHECKED	S. Ryan
DRAWN	D. Greifzu
CHECKED	S. Ryan

OCTOBER 10, 2007
EXAMINED *Thomas J. Domagala*
ENGINEER OF BRIDGE DESIGN
PASSED *Ralph E. Anderson*
ENGINEER OF BRIDGES AND STRUCTURES