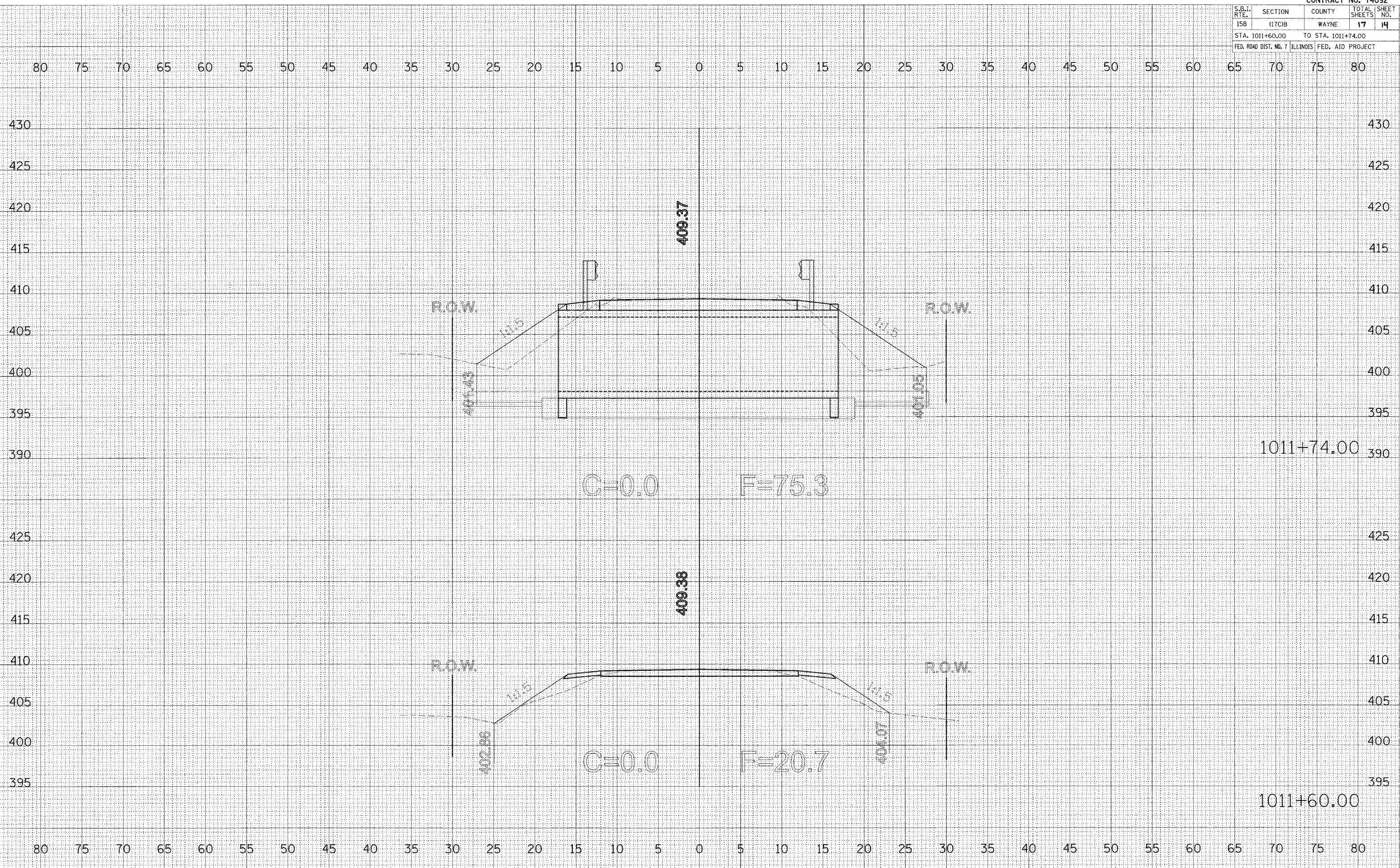


S.B.L. RTE.	SECTION	COUNTY	TOTAL SHEETS	SHEET NO.
15B	(17C)B	WAYNE	17	14
STA. 1011+60.00		TO STA. 1011+74.00		
FED. ROAD DIST. NO. 7 ILLINOIS FED. AID PROJECT				



DATE  
BY  
SURVEY  
NOTE BOOK  
NO.

DATE  
BY  
SURVEY  
NOTE BOOK  
NO.

DATE = 01/24/2007  
FILE NAME = c:\pcc\jcs174092a\1011+60.00.dwg  
PLOT SCALE = 1/8" = 1'-0"  
USER NAME = barmenb