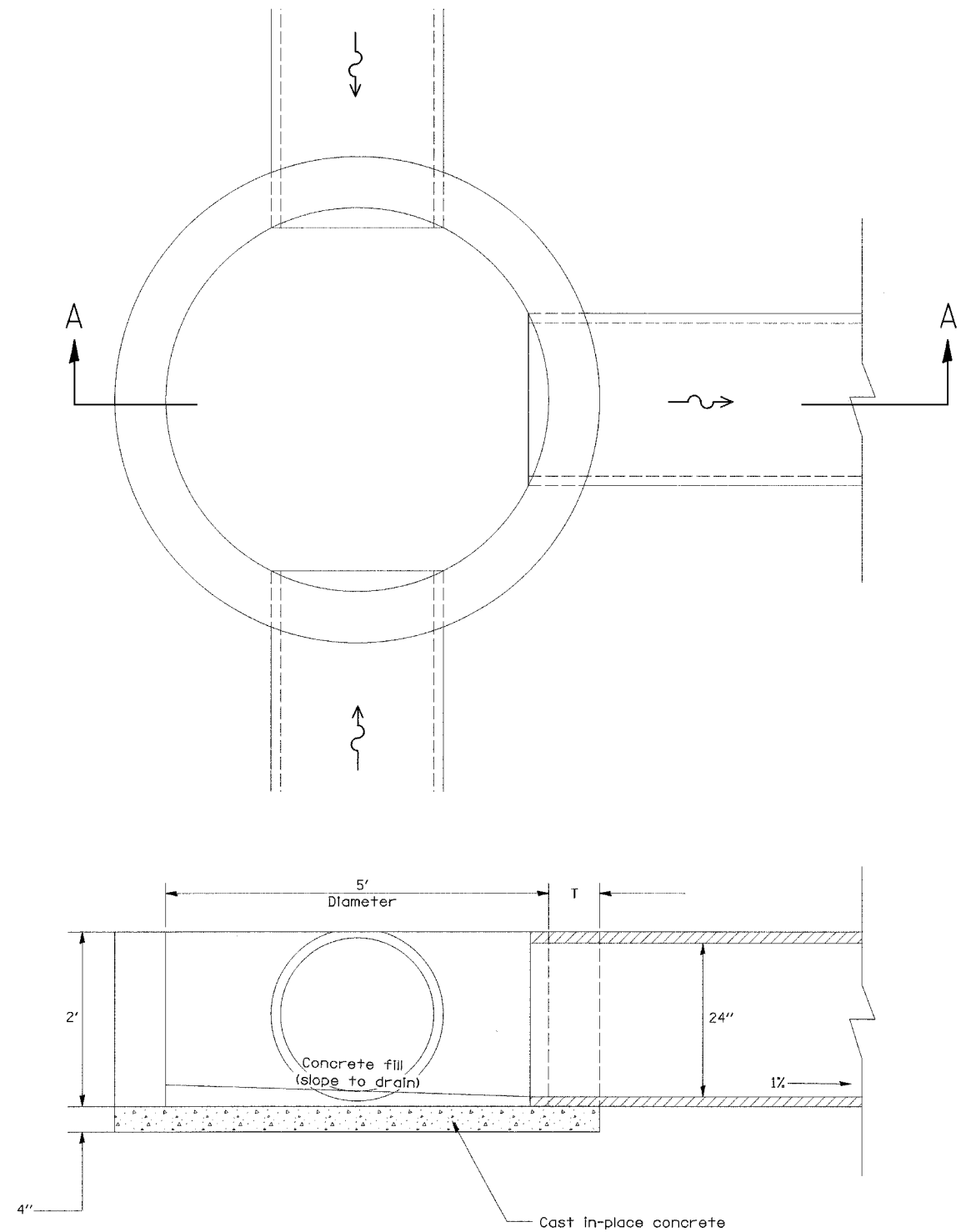


F.A.I. RTE.	SECTION	COUNTY	TOTAL SHEETS	SHEET NO.
57	*	VARIOUS	44	14
STA.		TO STA.		
FED. ROAD DIST. NO.		ILLINOIS FED. AID PROJECT		

• D7 SAFETY 2008-2

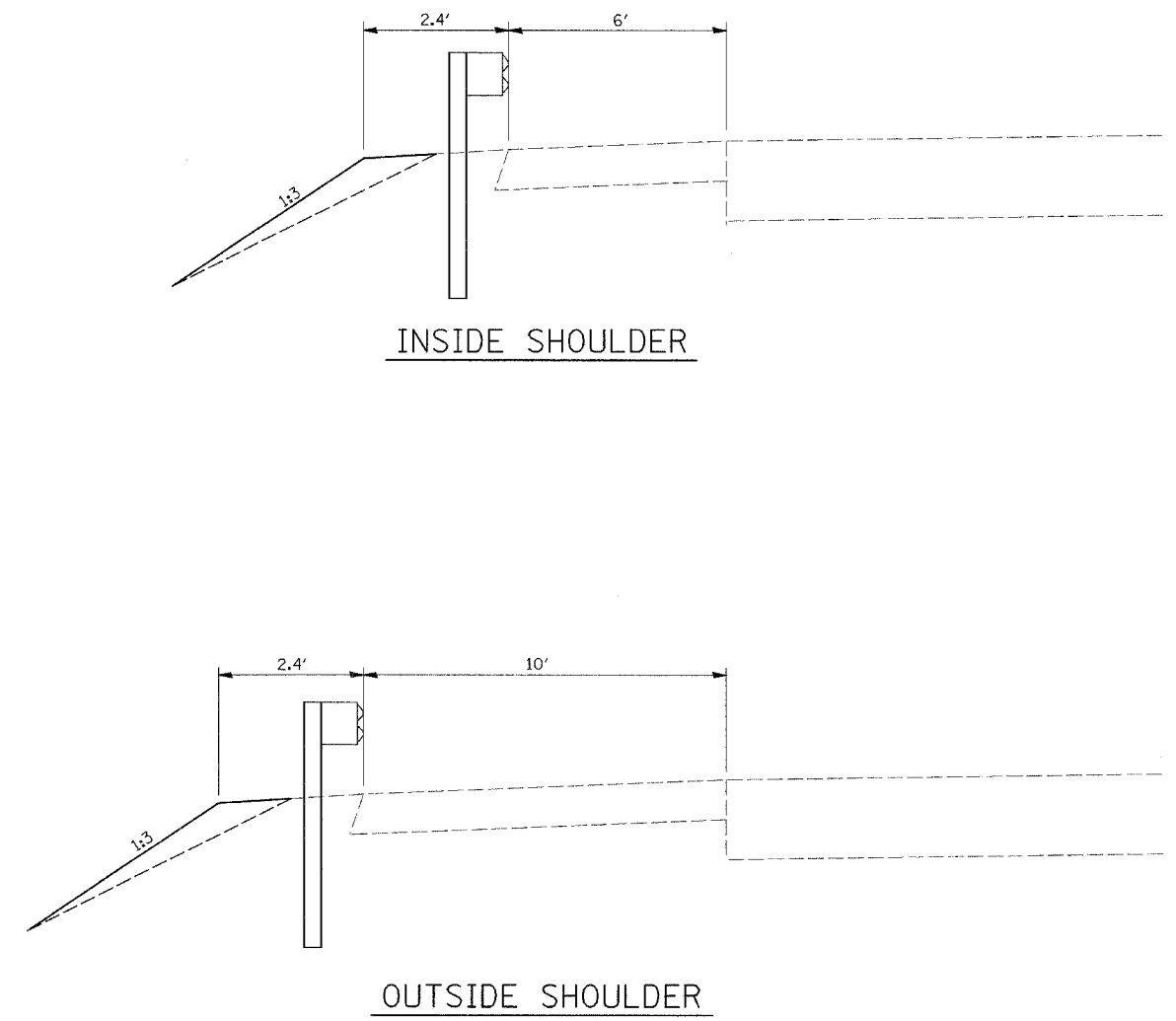
DETAIL OF INLET A (SPECIAL), TYPE 8 GRATE



SECTION A-A

T = 8" (BRICK MASONRY)

SHOULDER WIDENING DETAIL



INSIDE SHOULDER

OUTSIDE SHOULDER

PLOT DATE = 8/10/2007
 FILE NAME = I:\74249\A\InletDetail.dwg
 PLOT SCALE = 50.0000 / IN.
 USER NAME = sss-121*

REVISIONS	
NAME	DATE

ILLINOIS DEPARTMENT OF TRANSPORTATION

DETAILS

SCALE: VERT. _____
 HORIZ. _____

DATE _____

DRAWN BY _____
 CHECKED BY _____