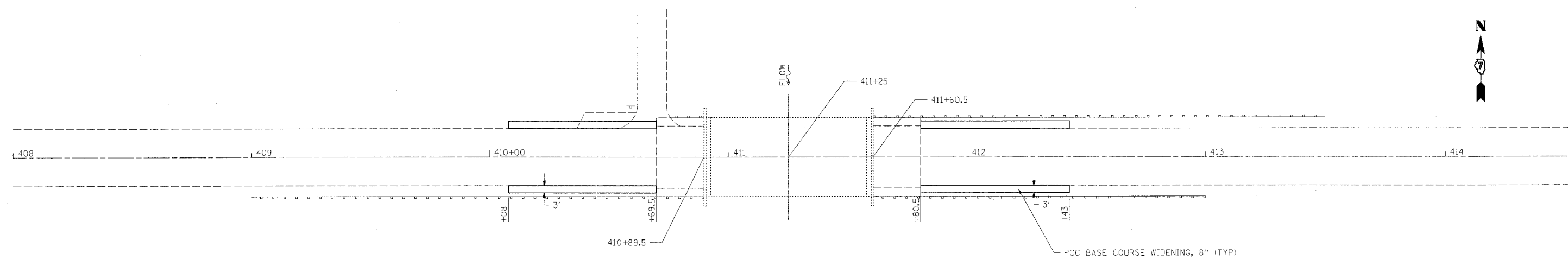


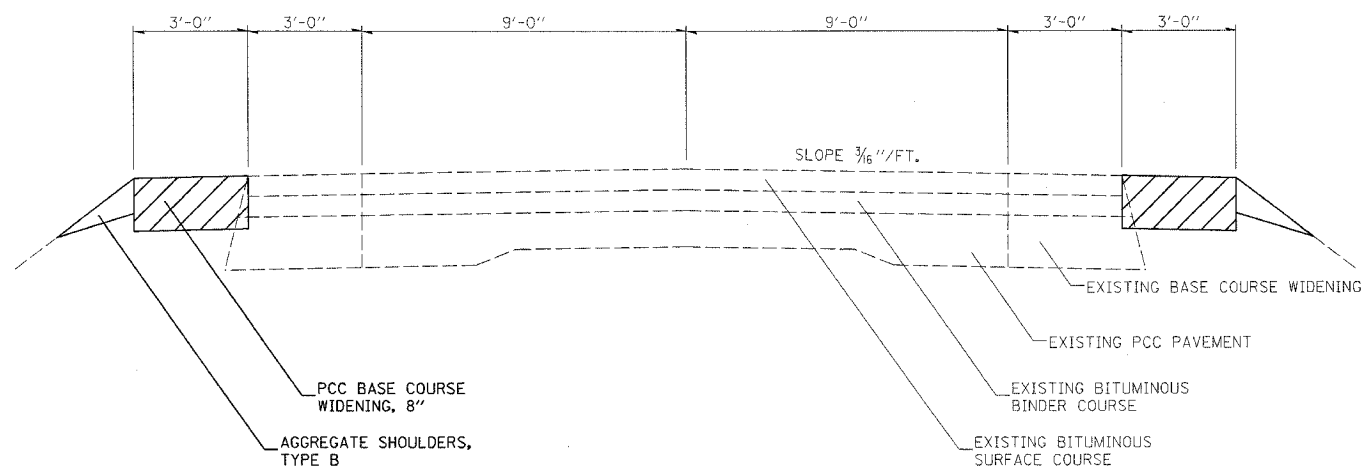
F.A.S. RTE.	SECTION	COUNTY	TOTAL SHEETS	SHEET NO.
1669		COLES	17	5
STA.		TO STA.		
FED. ROAD DIST. NO.	ILLINOIS	FED. AID PROJECT		



PCC BASE COURSE WIDENING

LT STA	410+07.5 TO STA	410+69.5=	20.7S. Y.
LT STA	411+80.5 TO STA	412+42.5=	20.7S. Y.
RT STA	410+07.5 TO STA	410+69.5=	20.7S. Y.
RT STA	411+80.5 TO STA	412+42.5=	20.7S. Y.
	TOTAL	=	83.0S. Y.

AGGREGATE SHOULDERS TYPE B = 6.0 TONS



TYPICAL ROADWAY CROSS SECTION

REVISIONS	
NAME	DATE

ILLINOIS DEPARTMENT OF TRANSPORTATION

**BASE COURSE WIDENING
S.N. 015-0069**

SCALE: VERT.
HORIZ.
DATE

DRAWN BY
CHECKED BY