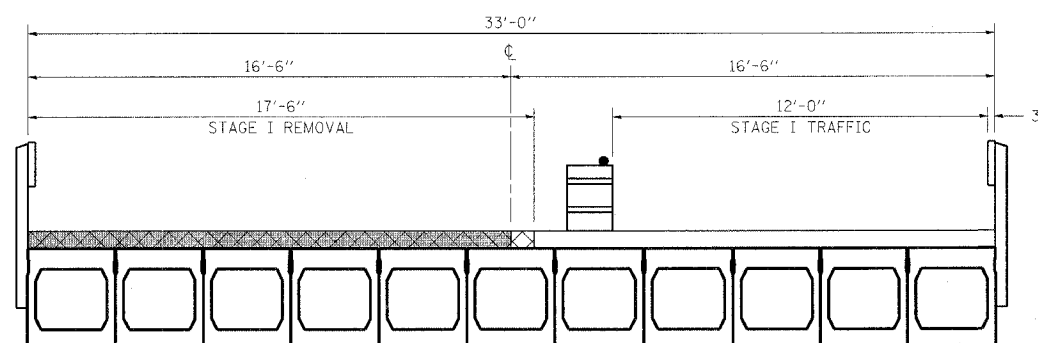
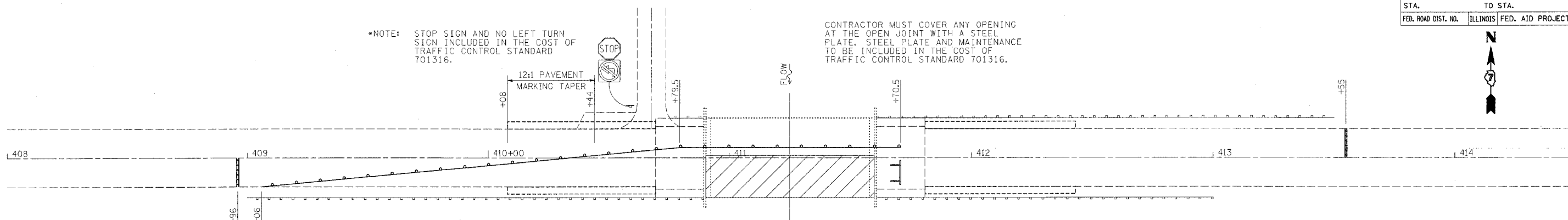


F.A.S. RTE.	SECTION	COUNTY	TOTAL SHEETS	SHEET NO.
1669		COLES	17	6
STA.		TO STA.		
FED. ROAD DIST. NO.	ILLINOIS	FED. AID PROJECT		

\*NOTE: STOP SIGN AND NO LEFT TURN SIGN INCLUDED IN THE COST OF TRAFFIC CONTROL STANDARD 701316.

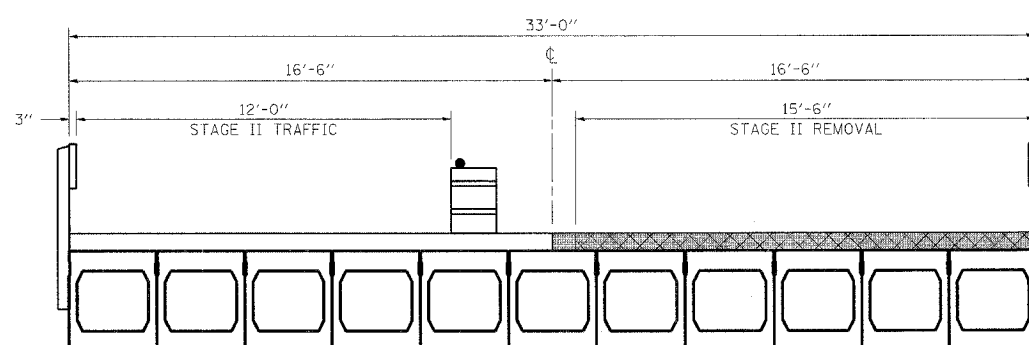
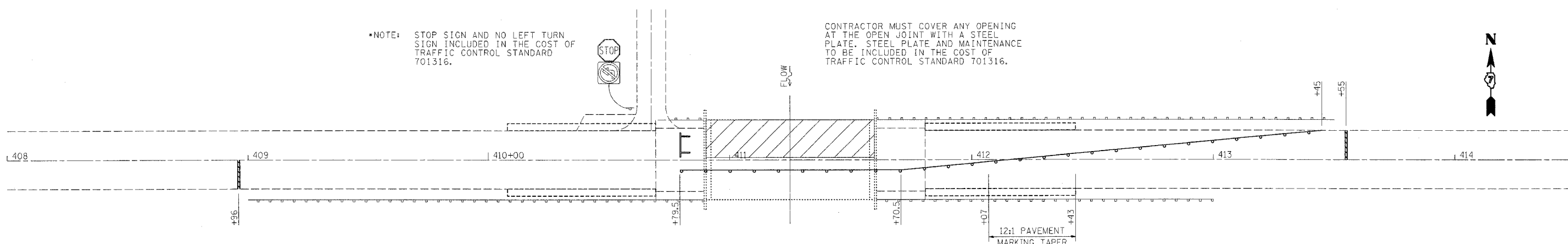
CONTRACTOR MUST COVER ANY OPENING AT THE OPEN JOINT WITH A STEEL PLATE. STEEL PLATE AND MAINTENANCE TO BE INCLUDED IN THE COST OF TRAFFIC CONTROL STANDARD 701316.



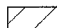




STAGE I CONSTRUCTION  
LOOKING WEST

\*NOTE: STOP SIGN AND NO LEFT TURN SIGN INCLUDED IN THE COST OF TRAFFIC CONTROL STANDARD 701316.

CONTRACTOR MUST COVER ANY OPENING AT THE OPEN JOINT WITH A STEEL PLATE. STEEL PLATE AND MAINTENANCE TO BE INCLUDED IN THE COST OF TRAFFIC CONTROL STANDARD 701316.



STAGE II CONSTRUCTION  
LOOKING WEST

-  WORK AREA
-  BRIDGE WEARING SURFACE REMOVAL
-  BITUMINOUS WEARING SURFACE
-  TYPE III BARRICADE WITH FLASHING LIGHTS
-  BARRICADE OR DRUM WITH STEADY BURN LIGHT

REVISIONS	
NAME	DATE

ILLINOIS DEPARTMENT OF TRANSPORTATION

**TRAFFIC CONTROL**  
**S.N. 015-0069**

SCALE: VERT.  
HORIZ.  
DATE

DRAWN BY  
CHECKED BY