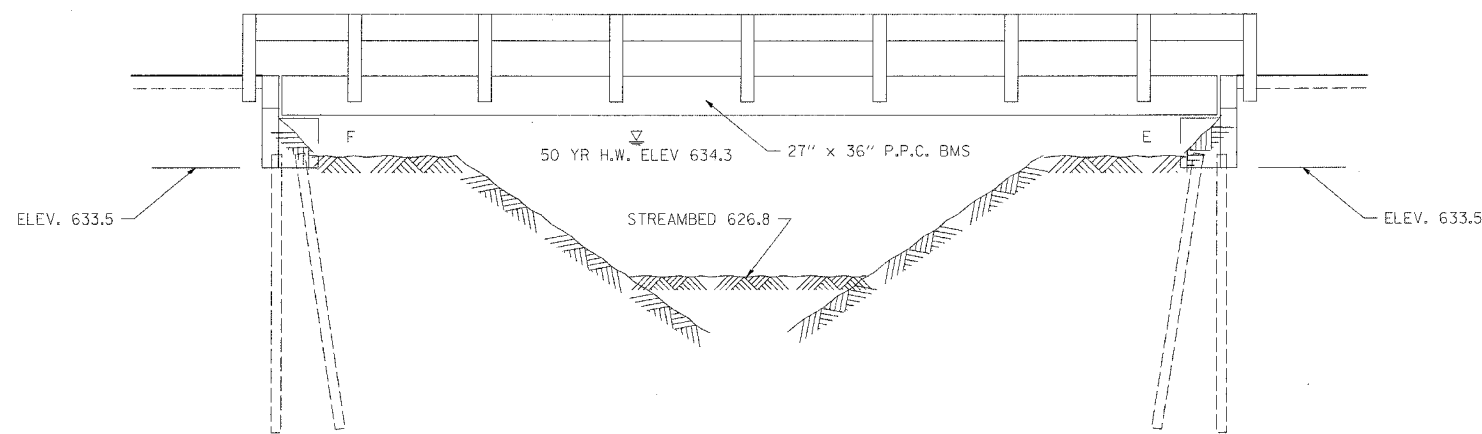


F.A.S. RTE.	SECTION	COUNTY	TOTAL SHEETS	SHEET NO.
1669		COLES	17	7
STA. _____		TO STA. _____		
FED. ROAD DIST. NO. ILLINOIS FED. AID PROJECT				



ELEVATION

BILL OF MATERIALS

ITEM	UNIT	QUANTITY
Hot-Mix Asphalt Surface Removal	SQ YD	260
Concrete Removal	CU YD	3.1
Concrete Superstructure	CU YD	3.6
Preformed Joint Strip Seal	FOOT	33
Reinforcement Bars, Epoxy Coated	POUND	250
Waterproofing Membrane System	SQ YD	260
Hot-Mix Asphalt Surface Course, Mixture C. N70	TON	37
Bar Splicers	EACH	6
Keyway Repair	FOOT	304
Portland Cement Mortar Fairing Course	FOOT	304
Bearing Pad Adjustment	EACH	22

GENERAL NOTES

Reinforcement bars shall conform to the requirements of ASTM A 706 Gr 60 (IL Modified). See Special Provisions.

Reinforcement bars designated (E) shall be epoxy coated.

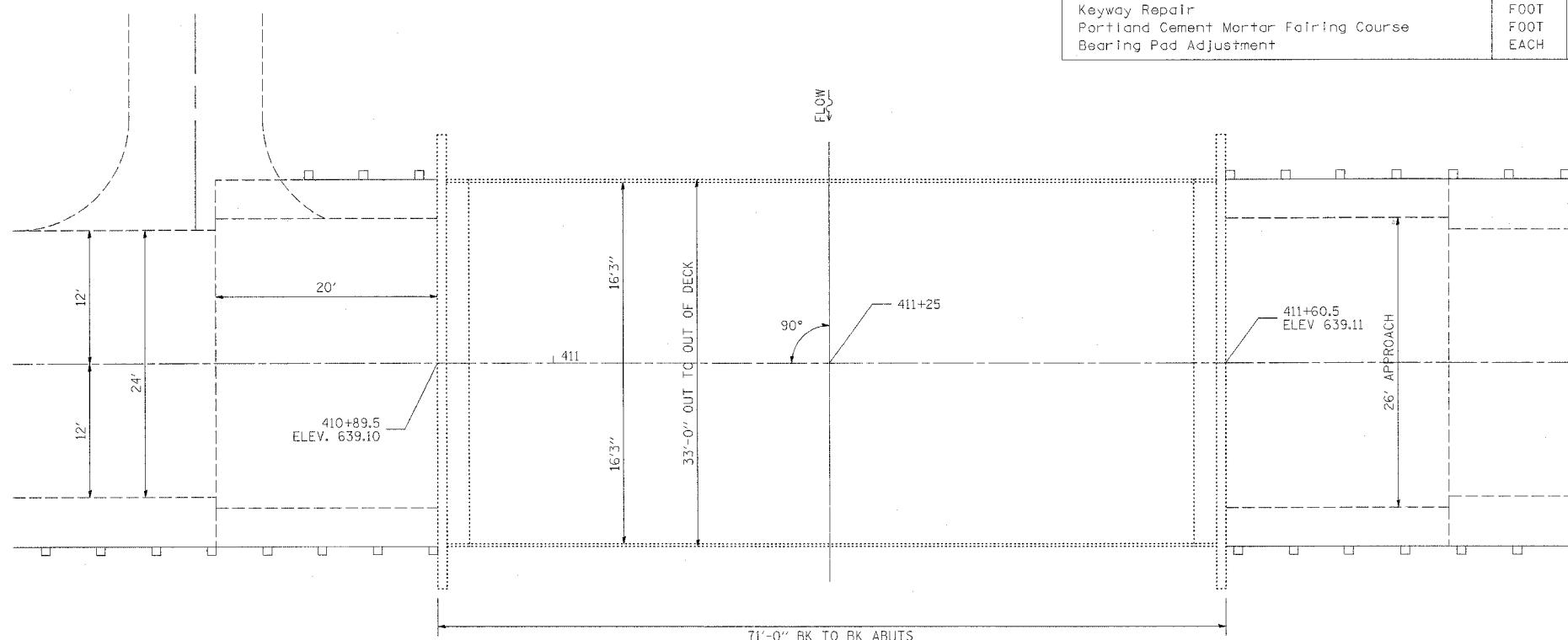
Plan dimensions and details relative to existing plans are subject to routine variations. The Contractor shall field verify existing dimensions and details affecting new construction and make necessary approved adjustments prior to construction or ordering of materials. Such variations shall not be cause for additional compensations for a change in scope of the work, however, the Contractor will be paid for the quantity actually furnished based upon the unit price bid for the work.

Existing reinforcement bars shall be cleaned, straightened and incorporated into the new construction. Any reinforcement bars that are damaged during concrete removal operations shall be repaired or replaced using an approved bar splicer or anchorage system (cost included in concrete removal).

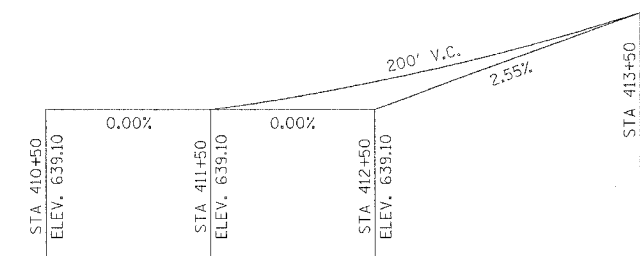
Joint openings shall be adjusted according to Article 503.10(c) of the Standard Specifications when the deck is poured at an ambient temperature other than 50 F.

All construction joints shall be bonded.

Removal of all existing expansion joints and the existing steel bridge rail shall be included in the contract unit price for Concrete Removal.



PLAN



REVISIONS	
NAME	DATE

ILLINOIS DEPARTMENT OF TRANSPORTATION
**GENERAL PLAN
 & ELEVATION
 S.N. 015-0069**
 SCALE: VERT. _____
 HORIZ. _____
 DATE _____
 DRAWN BY _____
 CHECKED BY _____

PLOT DATE = 8/29/2007
 PLOT SCALE = 20,000 / IN.
 USER NAME = staff\erinh