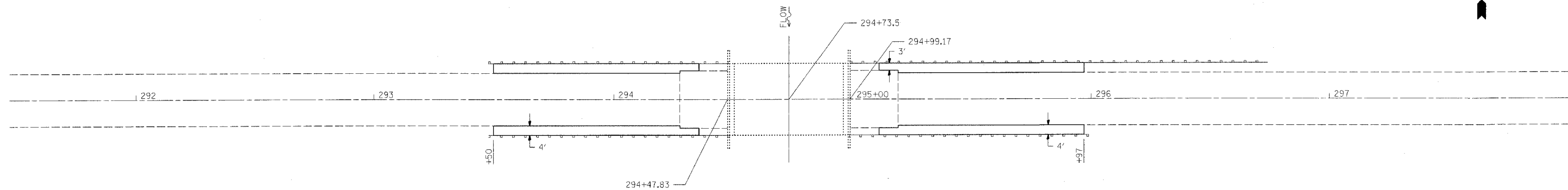


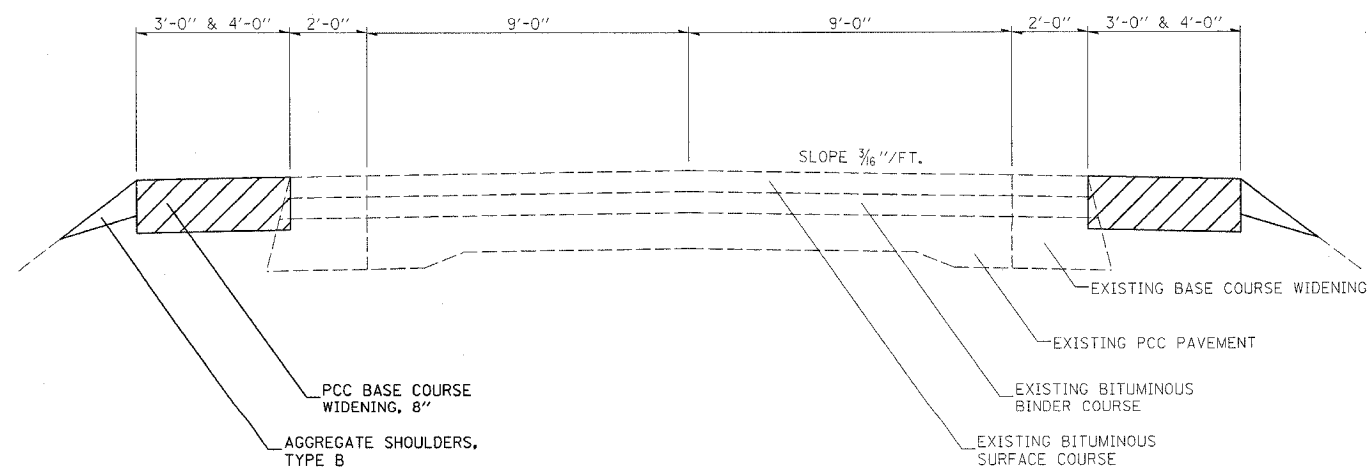
F.A.S. RTE.	SECTION	COUNTY	TOTAL SHEETS	SHEET NO.
1669		COLES	17	13
STA.		TO STA.		
FED. ROAD DIST. NO.	ILLINOIS	FED. AID PROJECT		



PCC BASE COURSE WIDENING

LT STA	293+50	TO STA	294+36	=	40.95 Y.
LT STA	295+11	TO STA	295+97	=	40.95 Y.
RT STA	293+50	TO STA	294+36	=	40.95 Y.
RT STA	295+11	TO STA	295+97	=	40.95 Y.
		TOTAL		=	164.05 Y.

AGGREGATE SHOULDERS TYPE B = 8.0 TONS



TYPICAL ROADWAY CROSS SECTION

REVISIONS	
NAME	DATE

ILLINOIS DEPARTMENT OF TRANSPORTATION

**BASE COURSE WIDENING  
S.N. 015-0070**

SCALE: VERT.  
HORIZ.  
DATE

DRAWN BY  
CHECKED BY