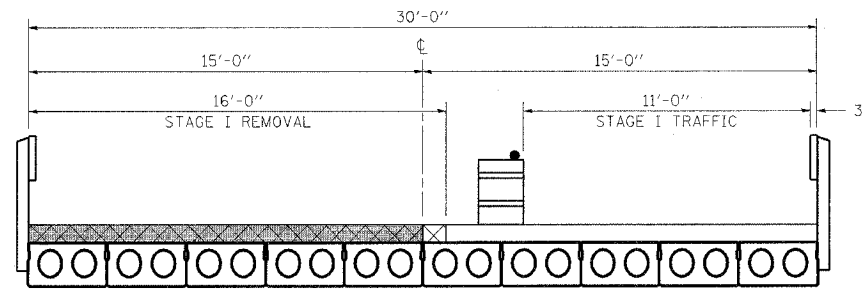
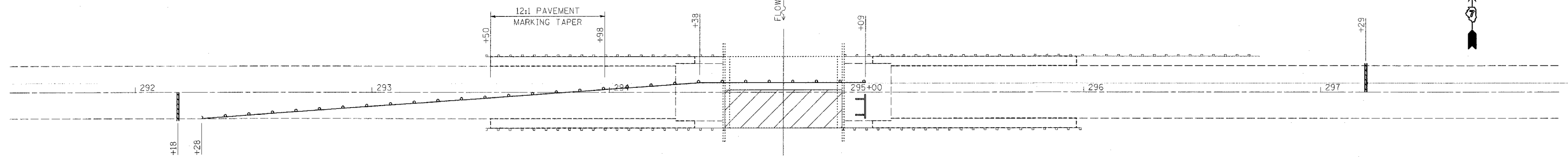
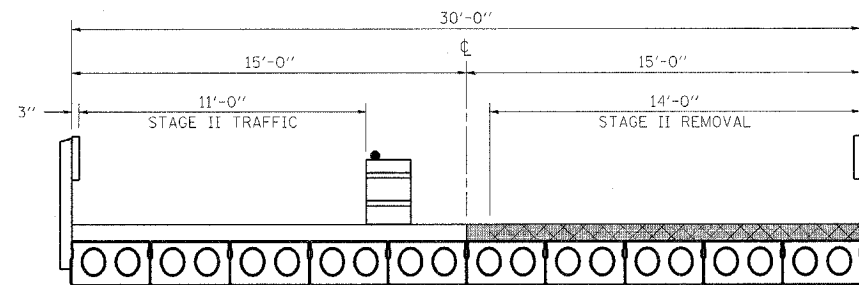
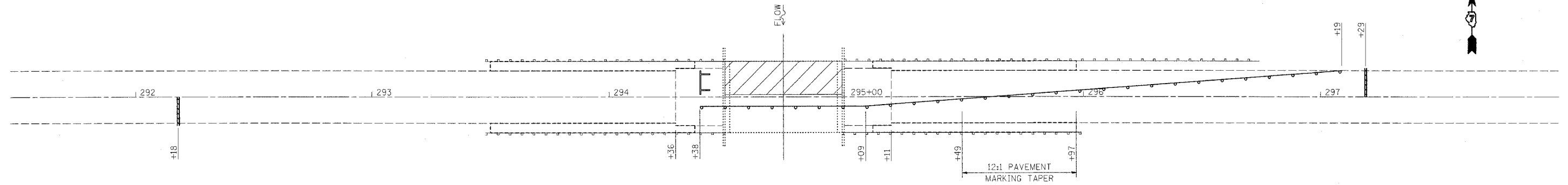


F.A.S. RTE.	SECTION	COUNTY	TOTAL SHEETS	SHEET NO.
1669		COLES	17	14
STA.		TO STA.		
FED. ROAD DIST. NO.	ILLINOIS	FED. AID PROJECT		



STAGE I CONSTRUCTION
LOOKING WEST



STAGE II CONSTRUCTION
LOOKING WEST

- WORK AREA
- BRIDGE WEARING SURFACE REMOVAL
- BITUMINOUS WEARING SURFACE
- TYPE III BARRICADE WITH FLASHING LIGHTS
- BARRICADE OR DRUM WITH STEADY BURN LIGHT

REVISIONS	
NAME	DATE

ILLINOIS DEPARTMENT OF TRANSPORTATION

TRAFFIC CONTROL
S.N. 015-0070

SCALE: VERT.
HORIZ.
DATE

DRAWN BY
CHECKED BY