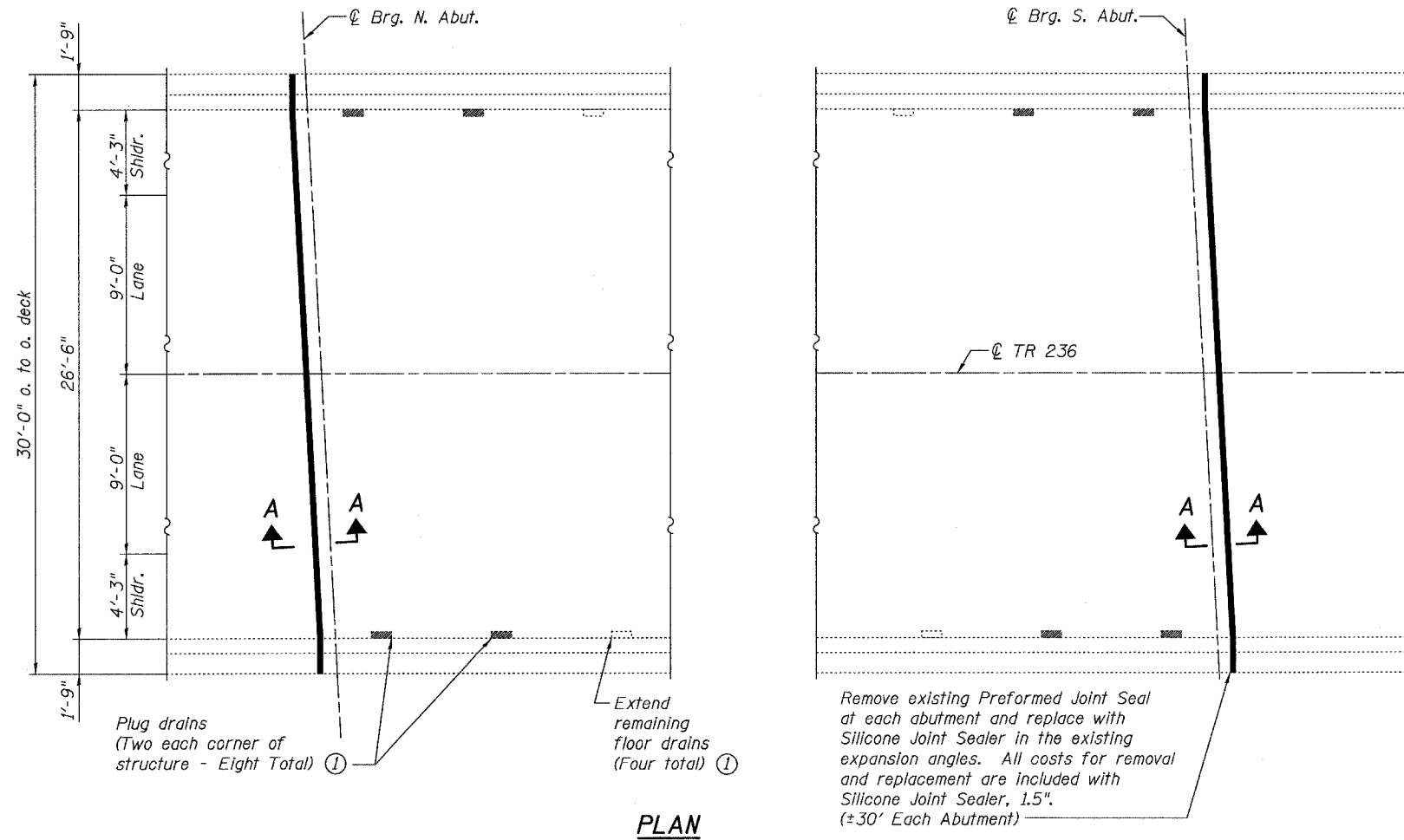


STATE OF ILLINOIS
DEPARTMENT OF TRANSPORTATION

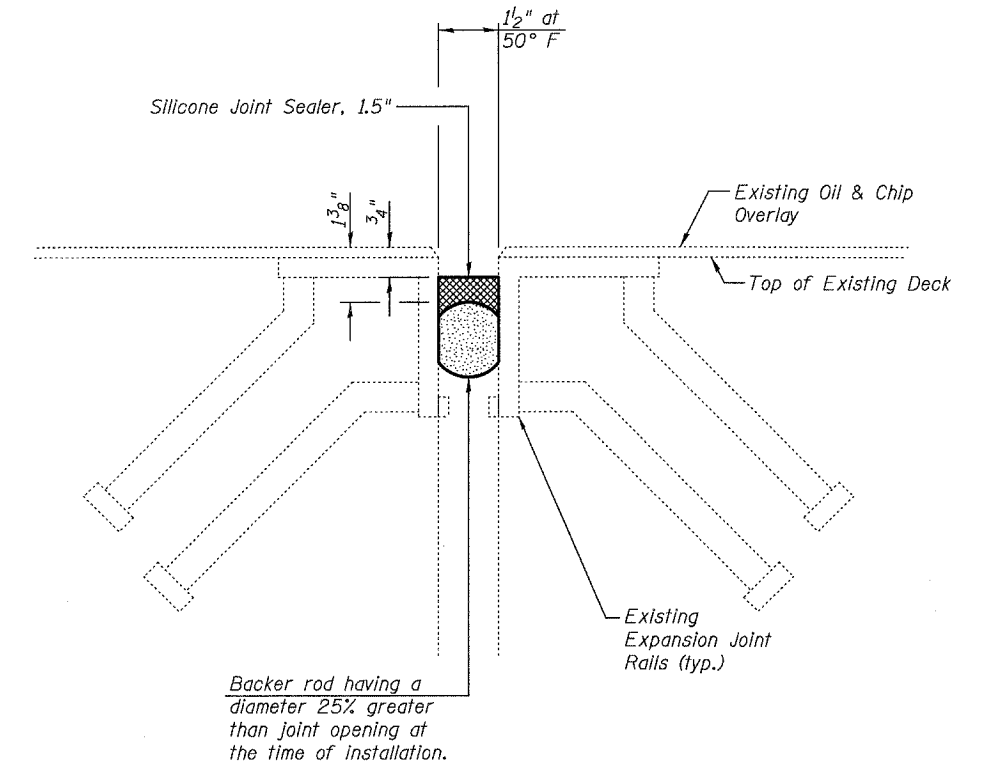
ROUTE NO.	SECTION	COUNTY	TOTAL SHEETS	SHEET NO.	SHEET NO. 2
FAI 64	95-5HB-1	WASHINGTON	83	49	3 SHEETS
FED. ROAD DIST. NO. 7	ILLINOIS	FED. AID PROJECT-			

Contract #76A39



PLAN

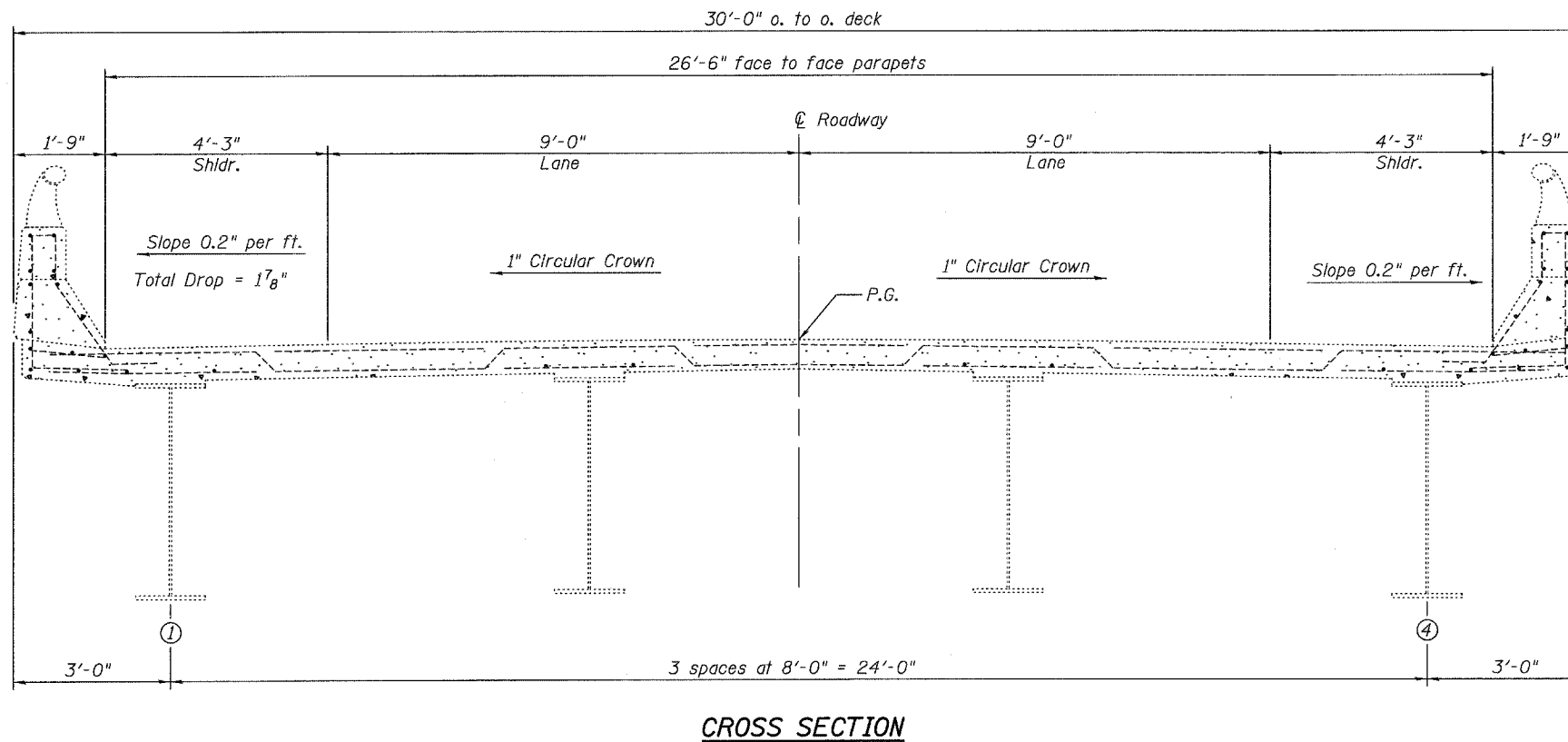
Remove existing Preformed Joint Seal at each abutment and replace with Silicone Joint Sealer in the existing expansion angles. All costs for removal and replacement are included with Silicone Joint Sealer, 1.5". (±30' Each Abutment)



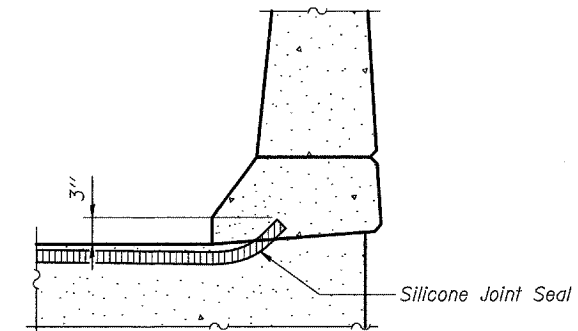
SECTION A-A

(Showing Expansion Joint Repair)

Notes:
① See sheet 3 of 3 for floor drain details.



CROSS SECTION



TYPICAL END OF SEAL TREATMENT AT EXPANSION JOINT

SUPERSTRUCTURE DETAILS
TR 236 (TOWER ROAD) OVER
FAI 64
FAI ROUTE 64 SECTION 95-5HB-1
WASHINGTON COUNTY
STATION 3222+38.79
STRUCTURE NO. 095-0060