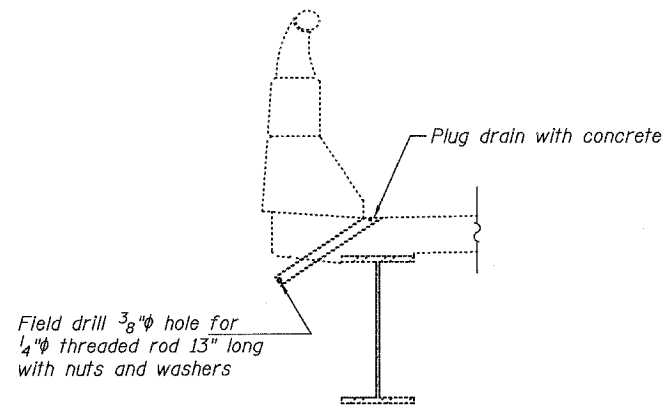


STATE OF ILLINOIS  
DEPARTMENT OF TRANSPORTATION

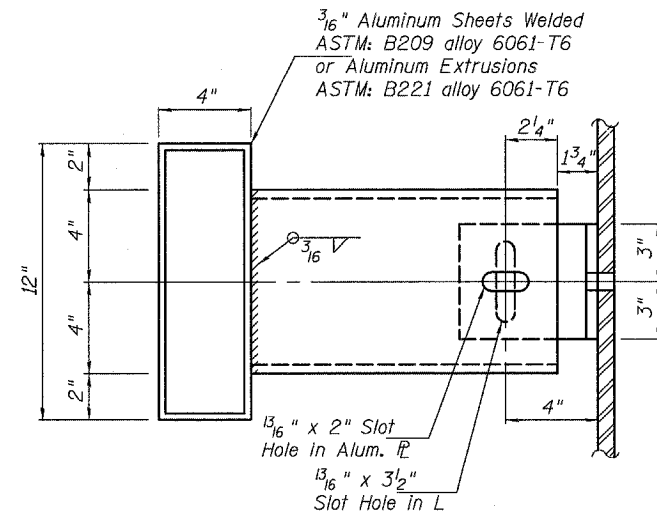
ROUTE NO.	SECTION	COUNTY	TOTAL SHEETS	SHEET NO.	SHEET NO. 3 3 SHEETS
FAI 64	95-5HB-1	WASHINGTON	83	50	
FED. ROAD DIST. NO. 7	ILLINOIS	FED. AID PROJECT-			

Contract #76A39

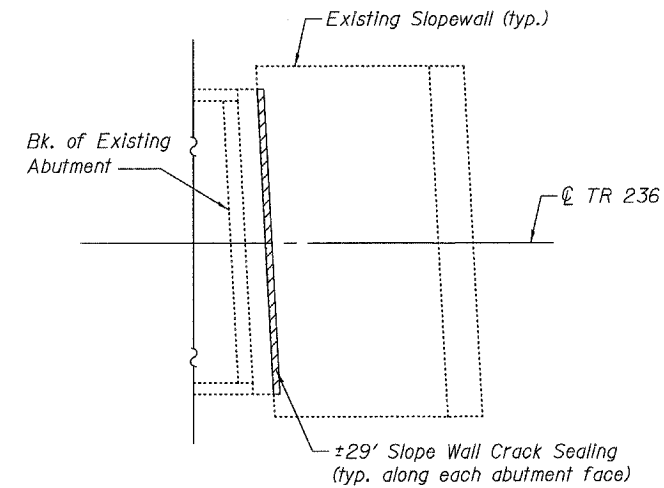


Field drill  $\frac{3}{8}$ "  $\phi$  hole for  $\frac{1}{4}$ "  $\phi$  threaded rod 13" long with nuts and washers

**DRAIN ELIMINATION DETAIL**  
(8 required)



**SECTION A-A**



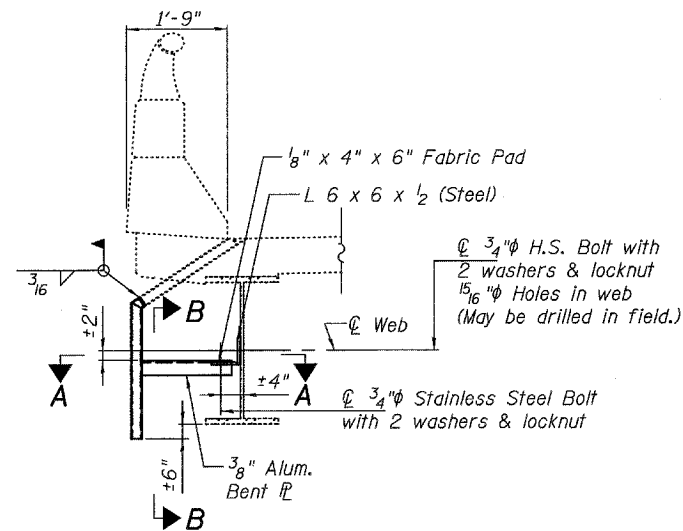
**SLOPE WALL REPAIR PLAN**  
(N. Abut. Shown - S. Abut. Similar)

**LEGEND**

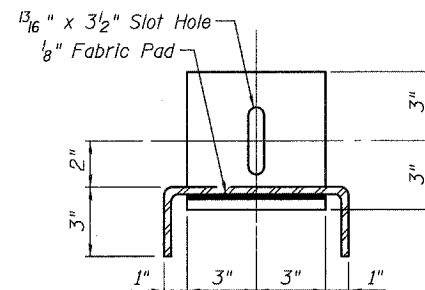
Slope Wall Crack Sealing

**BILL OF MATERIAL**

ITEM	UNIT	TOTAL
Floor Drain Extension	Each	4
Slope Wall Crack Sealing	Foot	58
Plug Existing Deck Drains	Each	8



**DRAIN EXTENSION DETAIL**  
(4 required)



**SECTION B-B**

Notes:  
① Estimated quantities are provided for Slope Wall Crack Sealing. Actual quantities will be determined by the Engineer in the field as work progresses.

**FLOOR DRAIN DETAILS**  
TR 236 (TOWER ROAD) OVER  
FAI 64  
FAI ROUTE 64 SECTION 95-5HB-1  
WASHINGTON COUNTY  
STATION 3222+38.79  
STRUCTURE NO. 095-0060