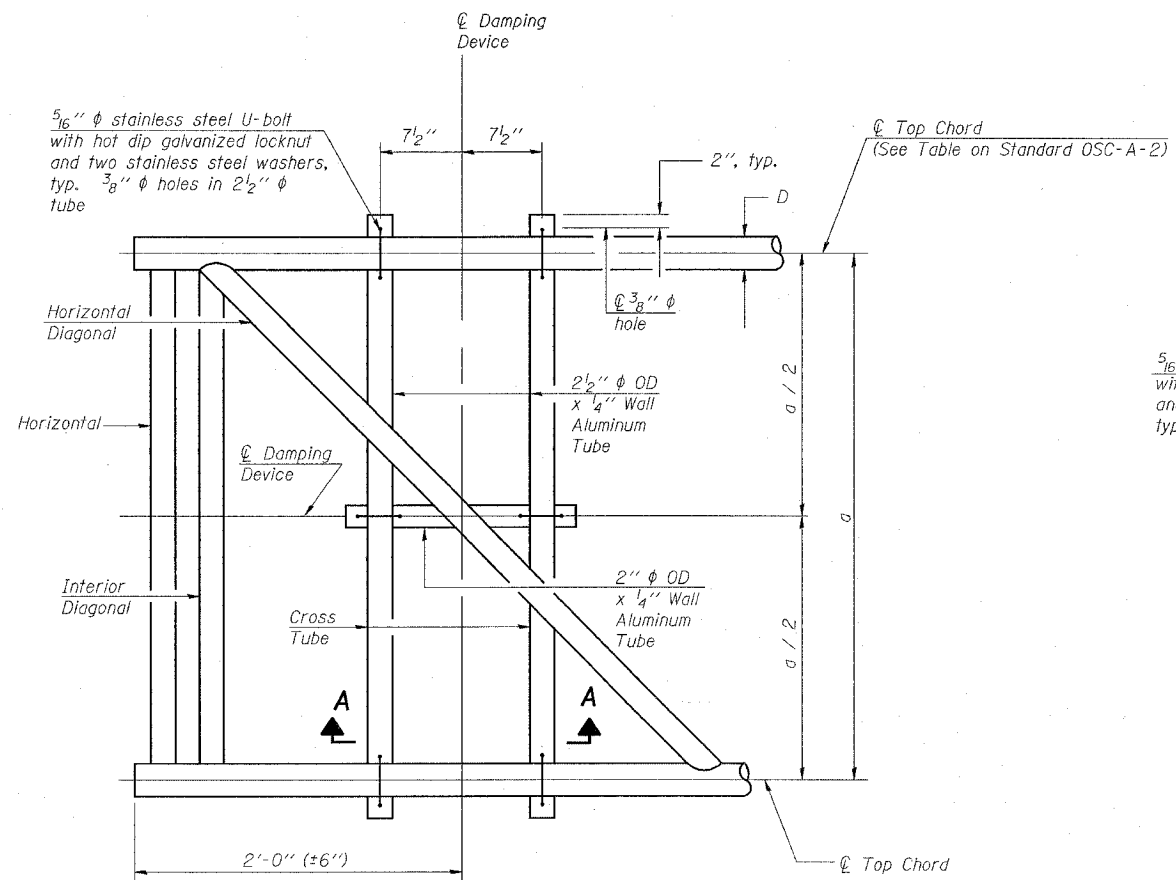
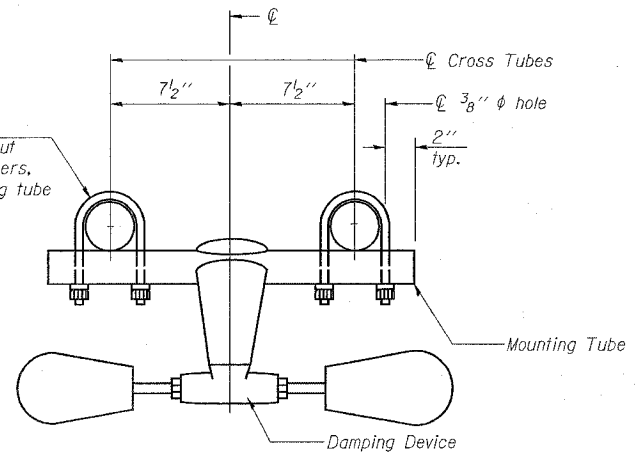


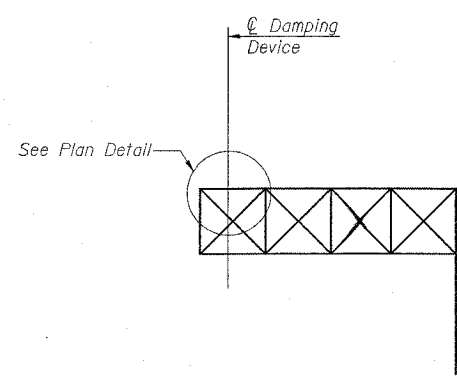
CONTRACT NO. 76A39				
F.A.I. SHEET NO.	SECTION	COUNTY	TOTAL SHEETS	SHEET NO.
64	95-(5,6)RS-1	WASHINGTON	83	72
STA.		TO STA.		
FED. ROAD DIST. NO.		ILLINOIS FED. AID PROJECT		



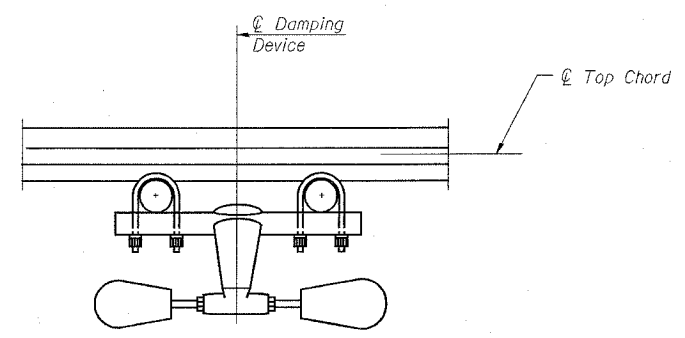
PLAN DETAIL



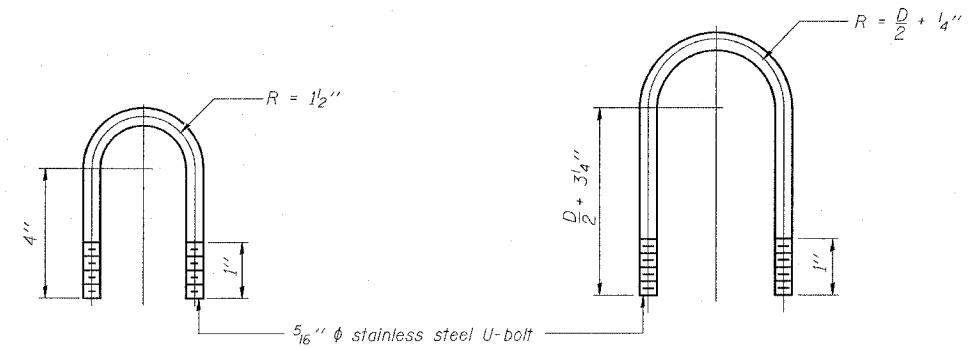
TRUSS DAMPING DEVICE CONNECTION DETAIL



ELEVATION
Aluminum Cantilever Sign Structure



SECTION A-A



DAMPING DEVICE MOUNTING TUBE U-BOLT DETAIL
(Typical)

TOP CHORD TO CROSS TUBE U-BOLT DETAIL
(Typical)

GENERAL NOTES

Damper: One damper per truss. (31 lbs. Stockbridge-Type Aluminum-29" minimum between ends of weights)

Materials: Aluminum tubes shall be ASTM B221 alloy 6061 temper T6

CANTILEVER SIGN STRUCTURE DAMPING DEVICE

FAI ROUTE 64
SECTION 95-(5,6)RS-1
WASHINGTON COUNTY

DATE = 8/21/2007
FILE NAME = ...
PLOT SCALE = 50,000 / IN.
USER NAME = dntalman.jr