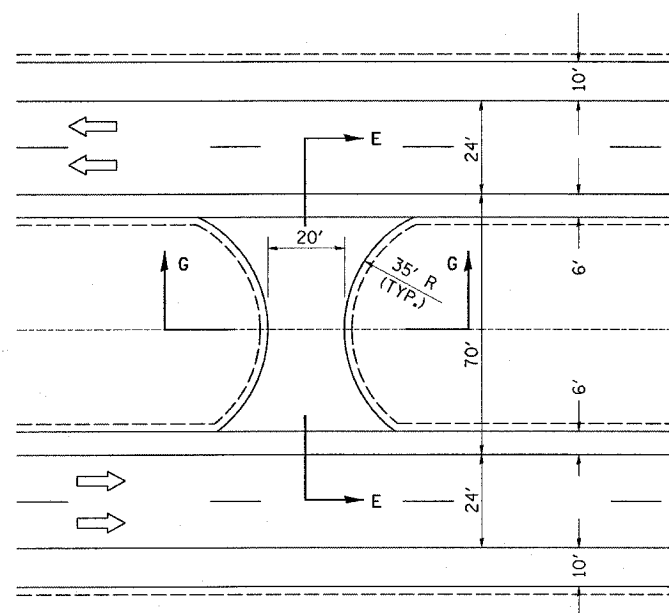
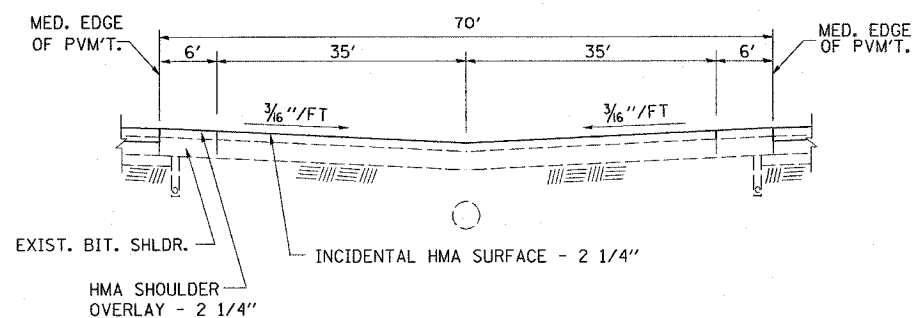


FAI ROUTE	SECTION	COUNTY	TOTAL SHEETS	SHEET NO.
64	95-(5,6)RS-1	WASHINGTON	83	81
STA. _____ TO STA. _____		CONTRACT NO.: 76A39		

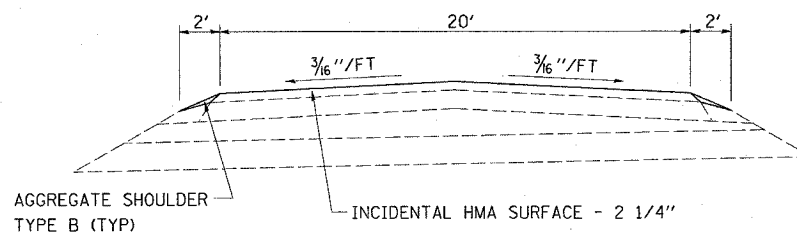
PLAN	DATE
BY	
CHECKED	
DATE	
NO.	
FILE NAME	



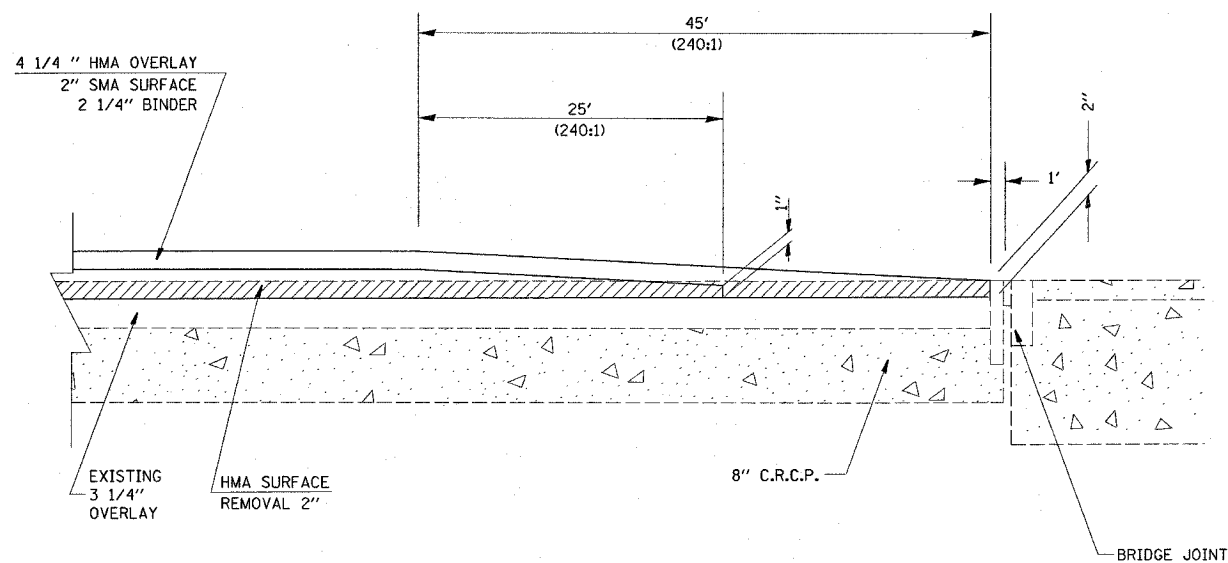
MEDIAN CROSS-OVER DETAIL
 STA. 3244+30
 STA. 3350+00



SECTION E-E



SECTION G-G



BRIDGE JOINT DETAIL
 TYPICAL (2) STRUCTURES
 095-0061 (RAILROAD)
 095-0063 (U.S. 51)

REVISIONS	
NAME	DATE

ILLINOIS DEPARTMENT OF TRANSPORTATION
MISCELLANEOUS DETAILS
 FAI ROUTE 64
 SECTION 95-(5,6)RS-1
 WASHINGTON COUNTY

DRAWN BY:

PLOT DATE: 8/21/2007

8/21/2007
 8/21/2007
 8/21/2007