

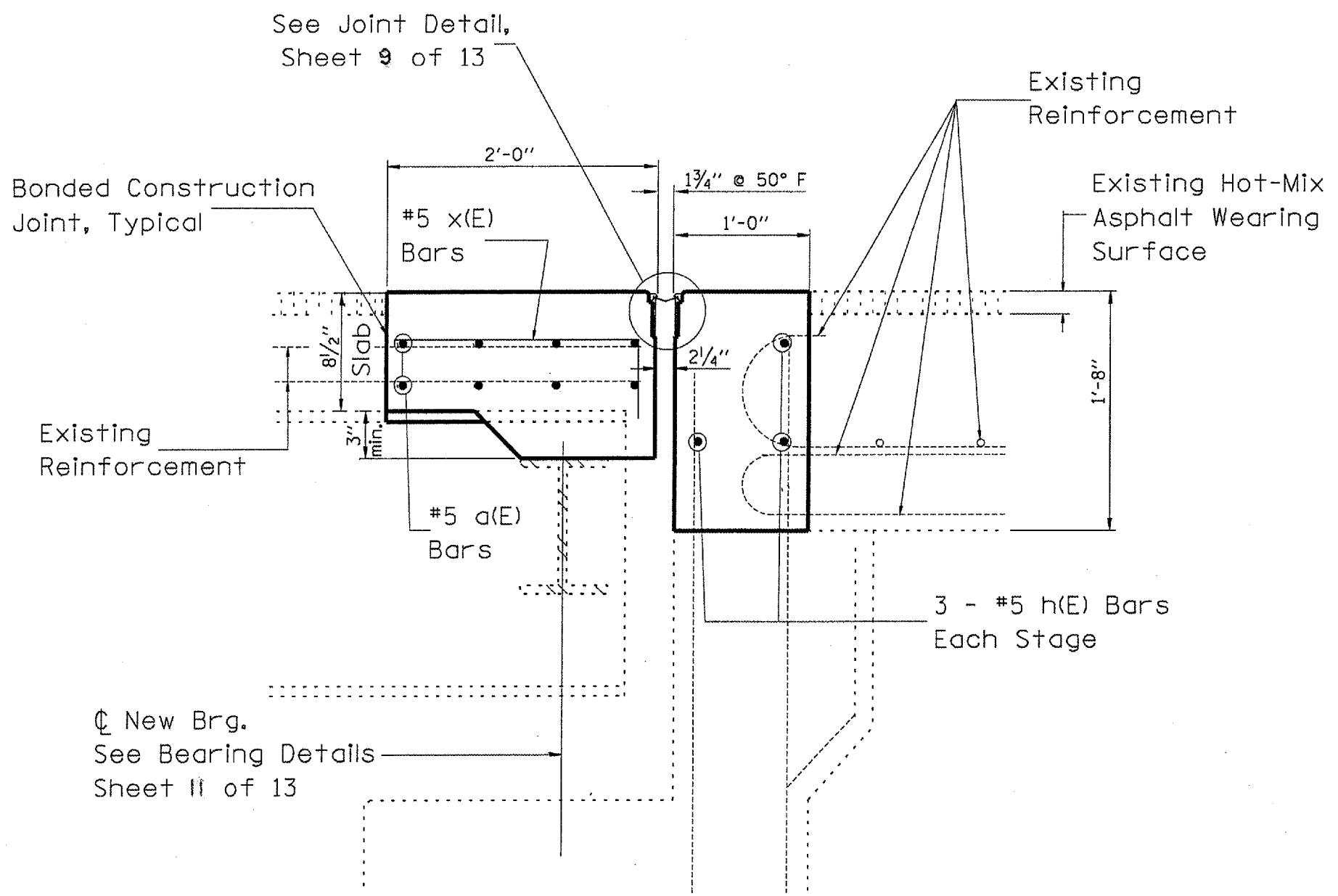
STATE OF ILLINOIS  
DEPARTMENT OF TRANSPORTATION

ROUTE NO.	SECTION	COUNTY	TOTAL SHEETS	SHEET NO.
FAP 332	*	WHITE	13	8
FED. ROAD DIST. NO. 7		ILLINOIS	FED. AID PROJECT	
* D9 CM BRIDGE REPAIR FY 08-1 CONTRACT NO. 78015				

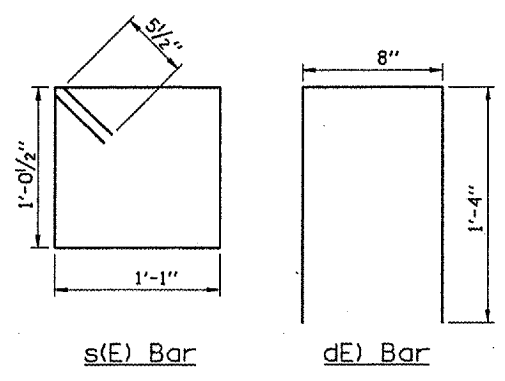
BILL OF REINFORCEMENT

Bar	No.	Size	Length	Shape
a(E)	285	#5	3'-11"	—
a <sub>1</sub> (E)	112	#5	4'-5"	—
a <sub>2</sub> (E)	32	#5	19'-8"	—
b(E)	66	#5	26'-7"	—
b <sub>1</sub> (E)	12	#6	12'-3"	—
d(E)	4	#4	3'-4"	⊏
h(E)	12	#5	18'-9"	—
s(E)	152	#5	5'-2"	⊠
x(E)	76	#5	2'-2"	⊏
Mechanical Splicers		Each	285	
Bar Splicers		Each	22	
Reinforcement Bars, Epoxy Coated		Pound	5630	

Reinforcement bars designated (E) shall be epoxy coated.  
Bars indicated thus 2 x 3 - #5 etc. indicates 2 lines of bars with 3 lengths per line.



SECTION A-A



Minimum Bar Laps #5 Bar = 2'-2"