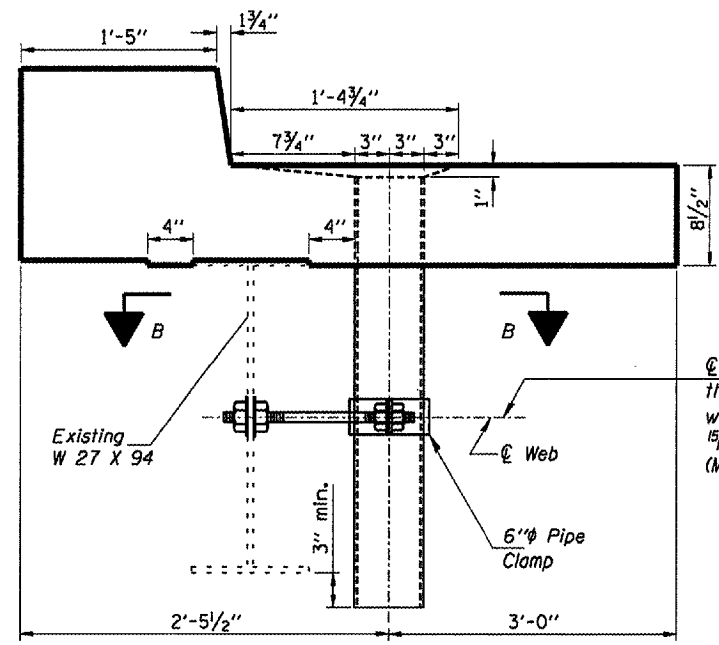


STATE OF ILLINOIS
DEPARTMENT OF TRANSPORTATION

ROUTE NO.	SECTION	COUNTY	TOTAL SHEETS	SHEET NO.
FAP 332	*	WHITE	13	10
FED. ROAD DIST. NO. 7		ILLINOIS	FED. AID PROJECT	

* D9 CM BRIDGE REPAIR FY 08-1
CONTRACT NO. 78015



⊘ 3/4" ⌀ Steel Stud Bolts threaded 6" Each End with washers & lock nuts. 15/16" ⌀ Holes in web (May be drilled in field.)

FLOOR DRAIN

