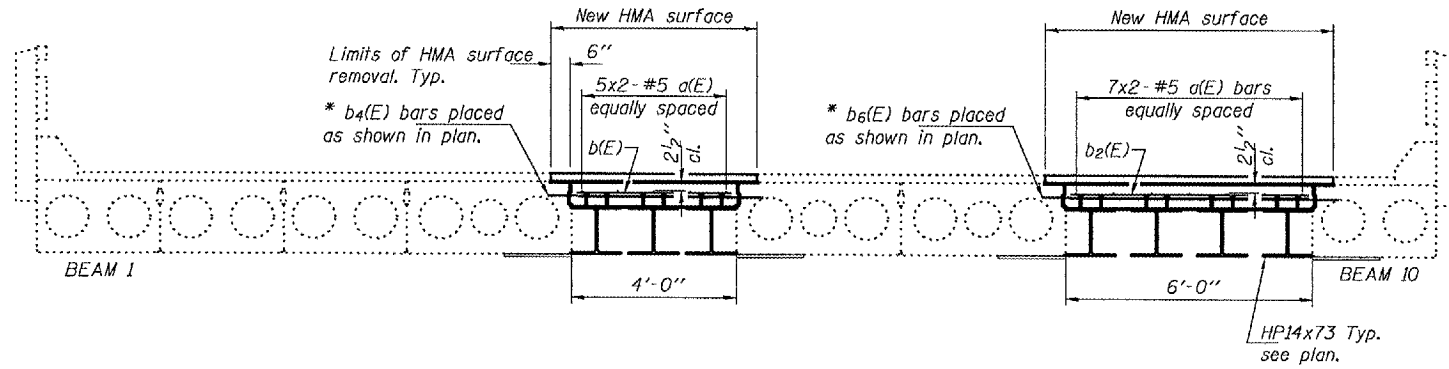


STATE OF ILLINOIS
DEPARTMENT OF TRANSPORTATION

ROUTE NO.	SECTION	COUNTY	TOTAL SHEETS	SHEET NO.
FA 686		JACKSON	12	6
FED. ROAD DIST. NO. 7	ALIGNMENT	FED. AID PROJECT		

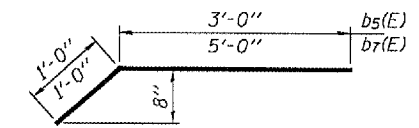
SHEET NO. 2
6 SHEETS

Contract Number: 78019

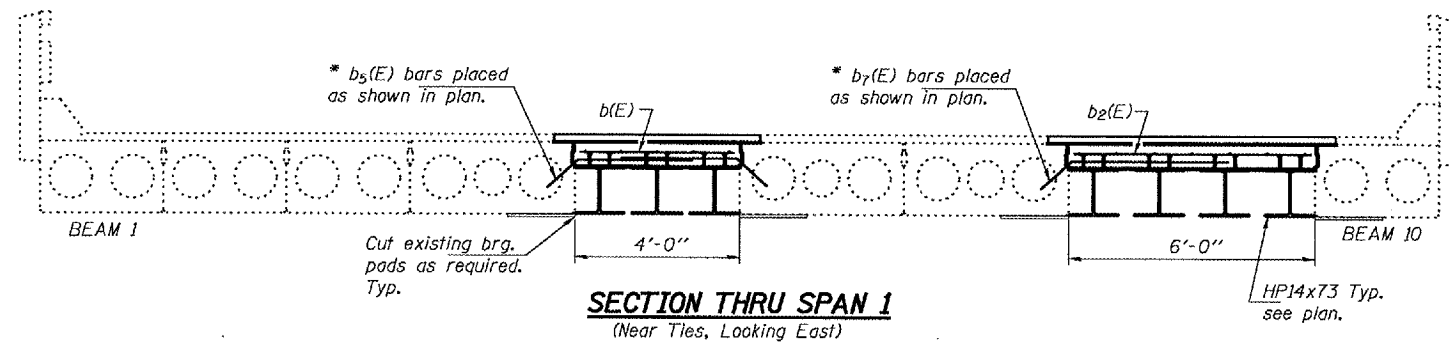


SECTION THRU SPAN 1
(In Span, Looking East)

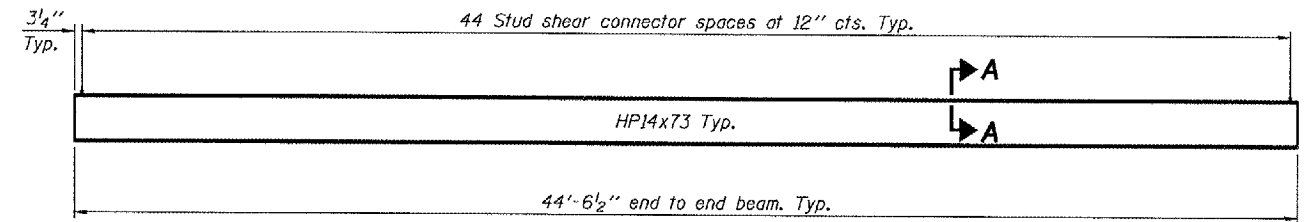
* Epoxy grout bars in 9" min. holes according to Article 584 of the Standard Specifications.



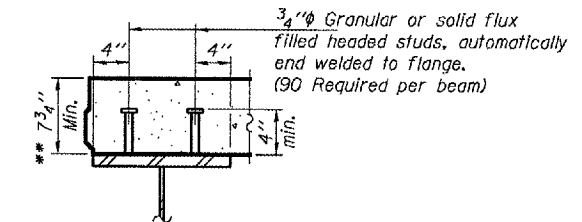
BARS b₅(E) & b₇(E)



SECTION THRU SPAN 1
(Near Ties, Looking East)

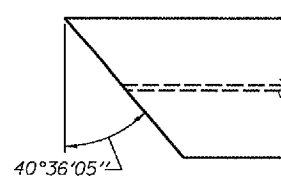


HP ELEVATION



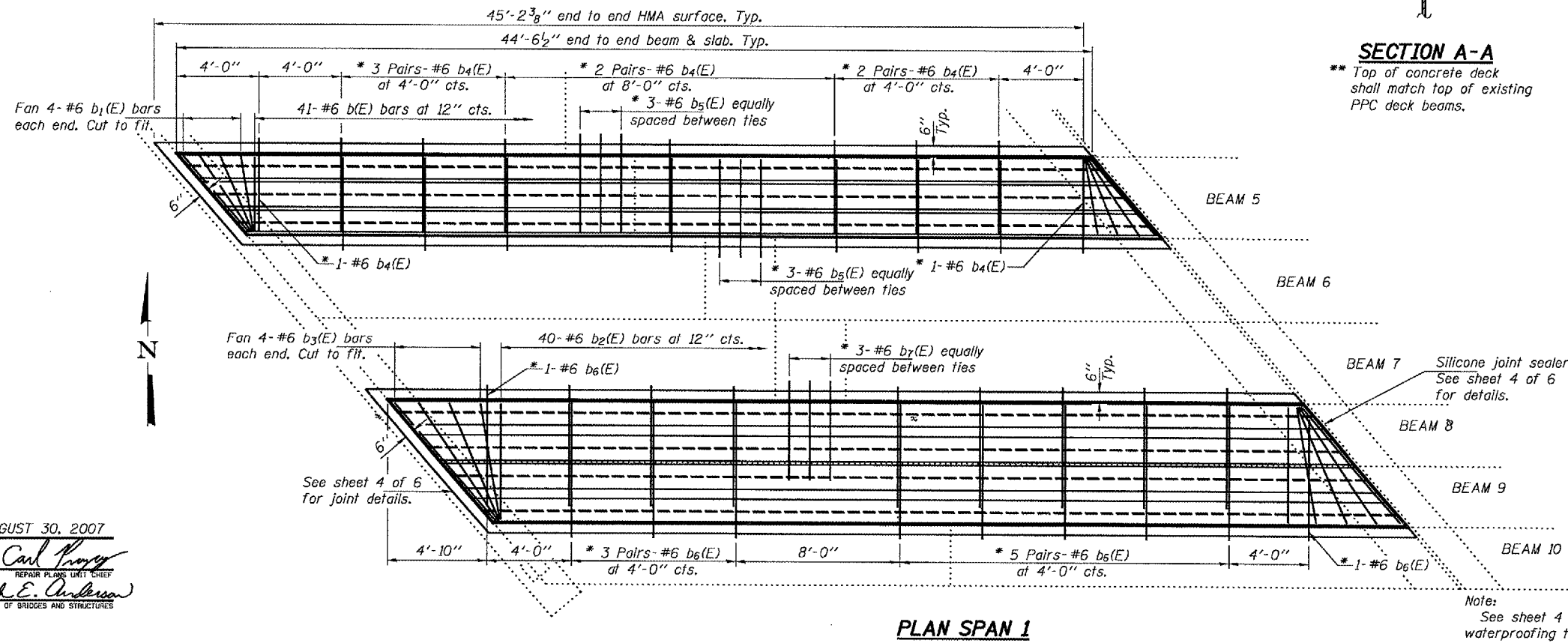
SECTION A-A

** Top of concrete deck shall match top of existing PPC deck beams.



END OF HP

MINIMUM BAR LAPS
#5 bar = 2'-2"



PLAN SPAN 1

Note:
See sheet 4 of 6 for waterproofing treatment.

BILL OF MATERIAL

Bar	No.	Size	Length	Shape
a(E)	24	#5	23'-6"	
b(E)	41	#6	3'-8"	
b ₁ (E)	8	#6	4'-11"	
b ₂ (E)	40	#6	5'-8"	
b ₃ (E)	8	#6	7'-6"	
b ₄ (E)	16	#6	4'-5"	
b ₅ (E)	6	#6	4'-0"	
b ₆ (E)	18	#6	6'-0"	
b ₇ (E)	3	#6	6'-0"	
Reinforcement Bars, Epoxy Coated		Pound	1640	
Concrete Superstructure		Cu. Yd.	10.7	

REPAIR DETAILS
FA 686 (IL RTE 4)
JACKSON COUNTY
SN 039-0042

DESIGNED	ATH
CHECKED	SJB
DRAWN	balva
CHECKED	ATH SJB

AUGUST 30, 2007
EXAMINED *Carl Prosser*
REPAIR PLANS UNIT CHIEF
PASSED *Ralph E. Anderson*
ENGINEER OF BRIDGES AND STRUCTURES