

STATE OF ILLINOIS  
DEPARTMENT OF TRANSPORTATION

ROUTE NO.	SECTION	COUNTY	TOTAL SHEETS	SHEET NO.	SHEET NO. 4 6 SHEETS
FA 686		JACKSON	12	8	
FED. ROAD DIST. NO. 7	ILLINOIS	FED. AID PROJECT	Contract Number: 78019		

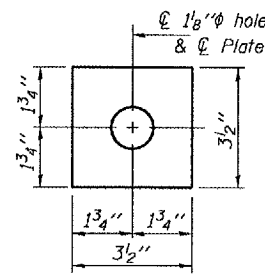
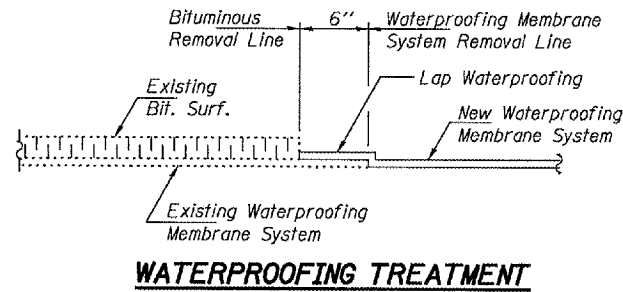
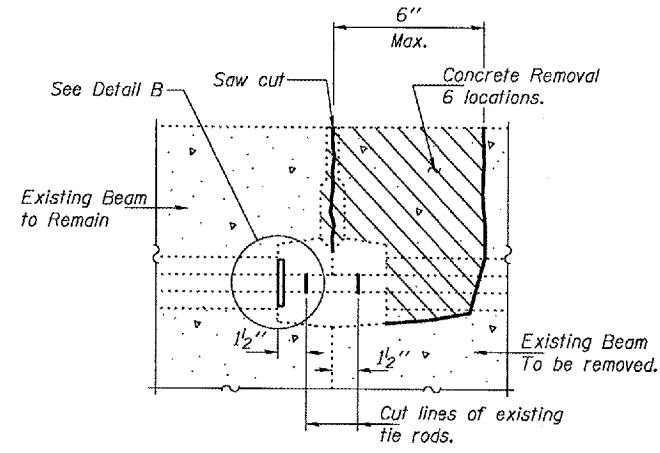


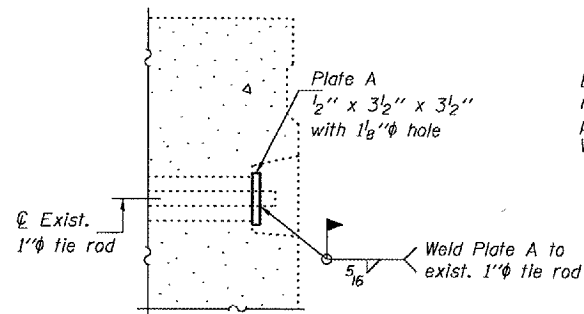
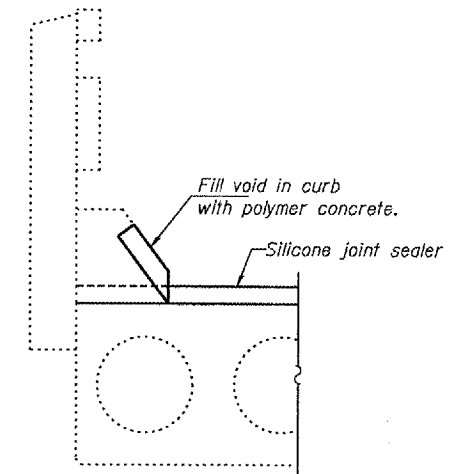
PLATE A



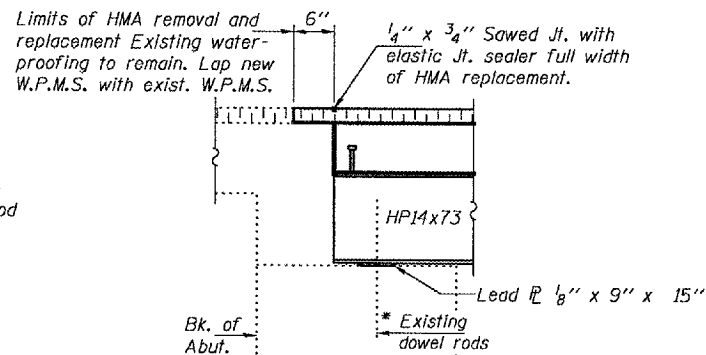
WATERPROOFING TREATMENT



BEAM REMOVAL DETAIL AT TRANSVERSE TIES

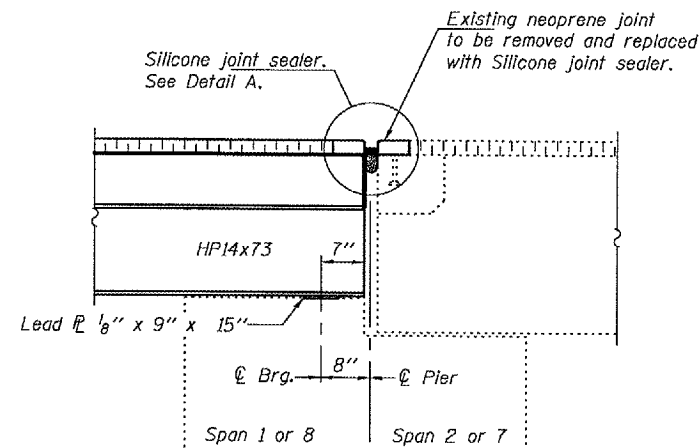


DETAIL B

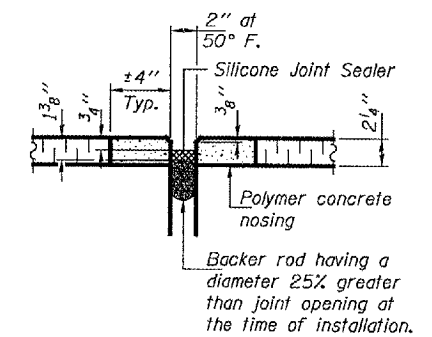


SECTION AT ABUTMENTS

\* Existing dowel rods are to be burned off, ground flush, and sealed with epoxy prior to placement of new beams. Cost included in Removal of Existing PPC Deck Beams.



SECTION AT PIERS 1 & 7



DETAIL A

DESIGNED	ATH
CHECKED	SJB
DRAWN	ballva
CHECKED	ATH SJB

AUGUST 30, 2007  
EXAMINED *Carl Pross*  
PASSED *Ralph E. Anderson*  
REPAIR PLANS UNIT CHIEF  
ENGINEER OF BRIDGES AND STRUCTURES

REPAIR DETAILS  
FA 686 (IL RTE 4)  
JACKSON COUNTY  
SN 039-0042