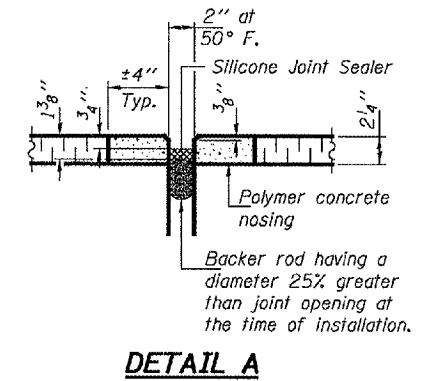
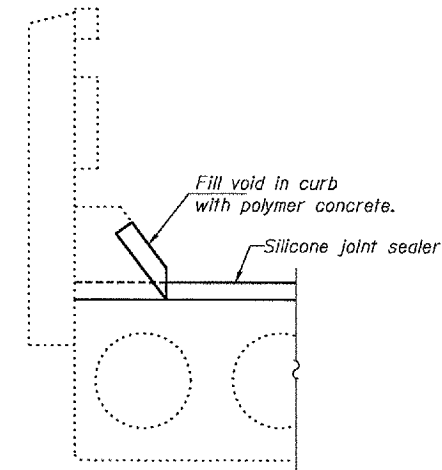
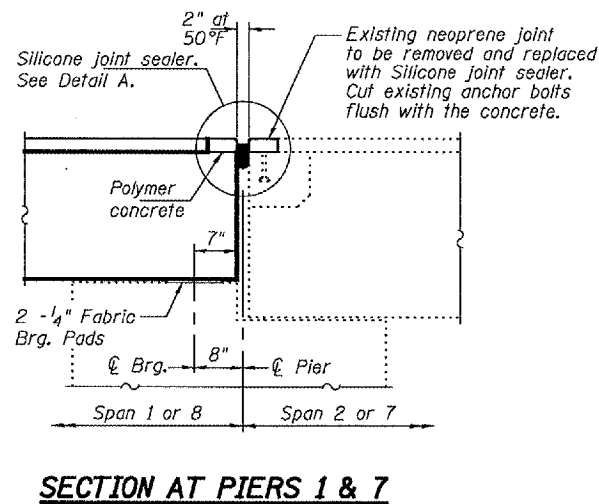
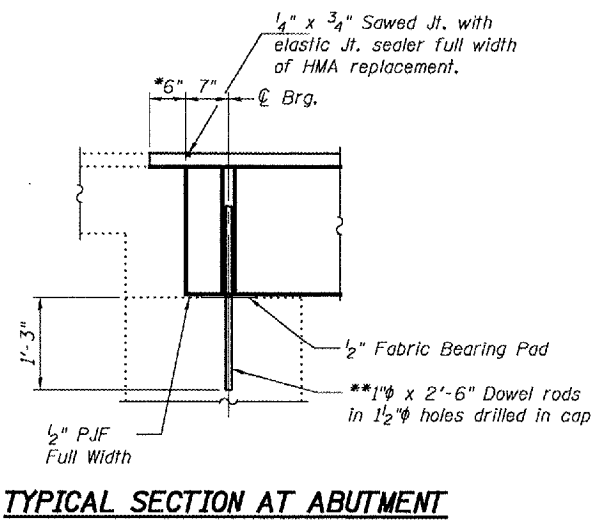
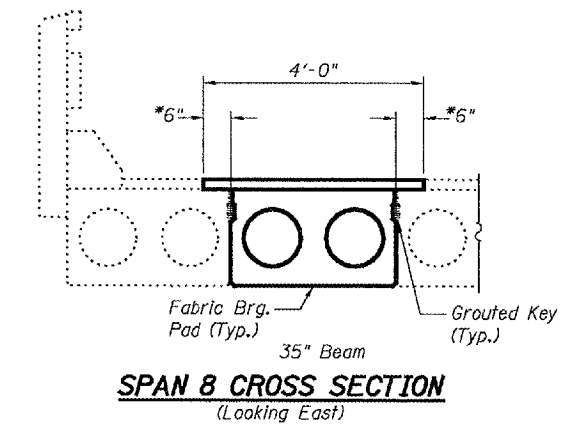
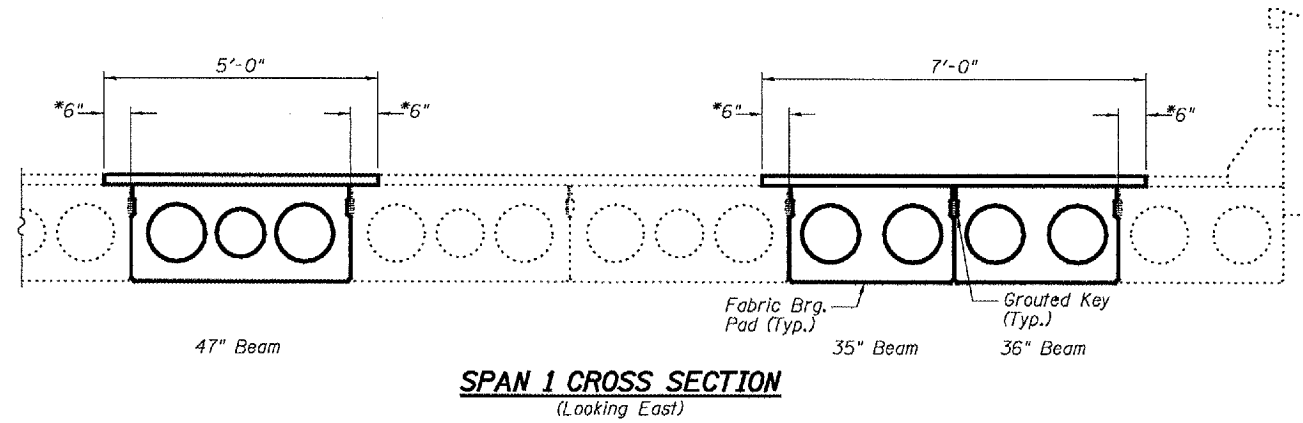


STATE OF ILLINOIS
DEPARTMENT OF TRANSPORTATION

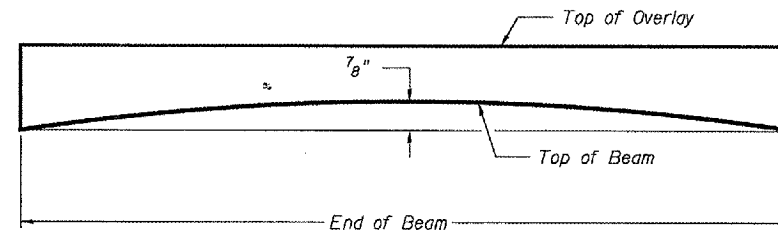
ROUTE NO.	SECTION	COUNTY	TOTAL SHEETS	SHEET	SHEET NO. 6 6 SHEETS
FA 686		JACKSON	12	10	
FED. ROAD DIST. NO. 7	ILLINOIS	FED. AID PROJECT			

Contract Number: 78019



*Limits of HMA removal and replacement. Existing waterproofing to remain. Lap new W.P.M.S. with existing waterproofing.

**Existing dowel rods are to be burned off, ground flush, and sealed with epoxy prior to placement of new beams. Cost included in Removal of Existing PPC Deck Beams. After beams have been erected holes shall be drilled into cap and dowel rods placed. Dowel holes shall be filled with non-shrink grout to top of beam and allowed to cure a minimum of 24 hours prior to grouting the shear keys.



DESIGNED	ATH
CHECKED	SJB
DRAWN	Drew Christopher
CHECKED	ATH SJB

AUGUST 30, 2007
EXAMINED *A. Carl Hoyer*
PASSED *Ralph E. Anderson*
REPAIR PLANS UNIT CHIEF
ENGINEER OF BRIDGES AND STRUCTURES

BEAM REPLACEMENT ALTERNATE
FA 686 (IL RTE 4)
JACKSON COUNTY
SN 039-0042