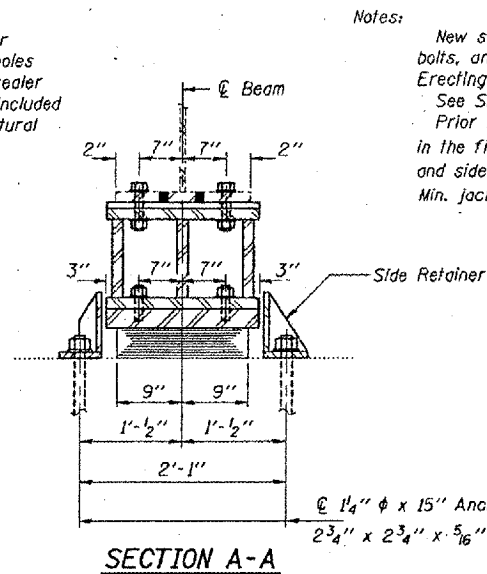
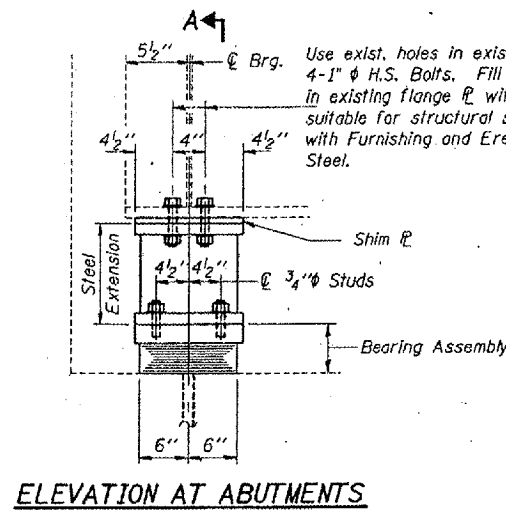


STATE OF ILLINOIS
DEPARTMENT OF TRANSPORTATION

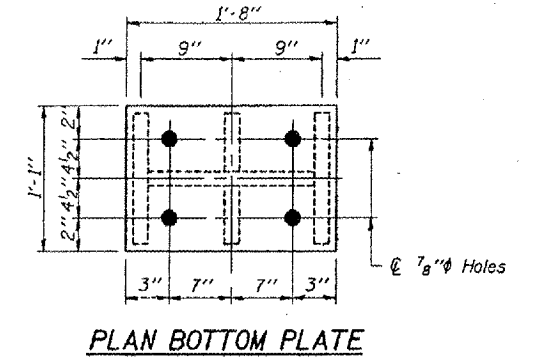
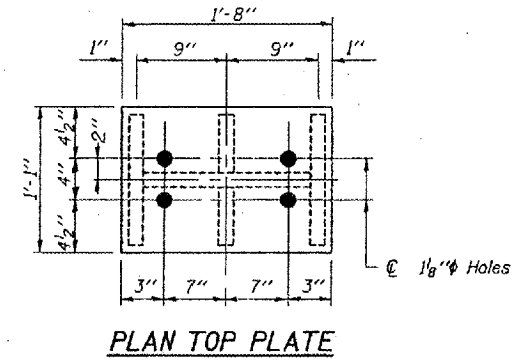
FAI 24
D9 BRIDGE PAINTING FY 08-1
JOHNSON & WILLIAMSON COUNTIES
CONTRACT 78020
SHEET 34 OF 35

GIRDER REACTIONS

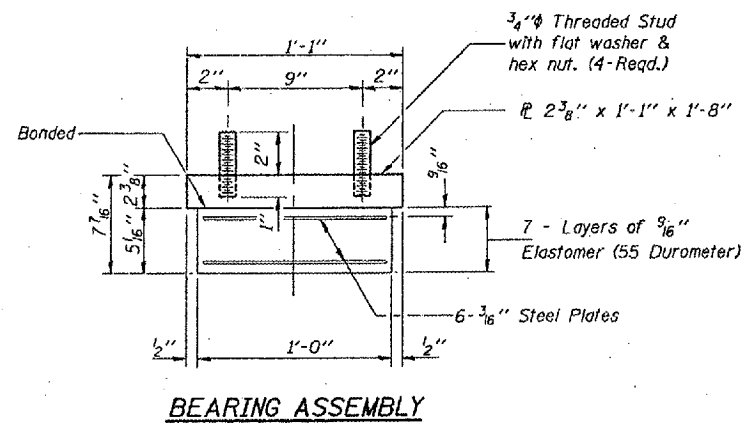
R _P	(K)	101.7
R _L	(K)	48.0
Imp.	(K)	8.7
R (Total)	(K)	158.4



Notes:
New steel extensions, side retainers, shim's, connection bolts, and anchor bolts are included with Furnishing and Erecting Structural Steel.
See Sheet 6 of 6 for Anchor Bolt installation.
Prior to ordering any material, the Contractor shall verify in the field all bearing height, shim thickness dimensions and side retainer clearance to the backwall.
Min. jack capacity = 95 Tons.



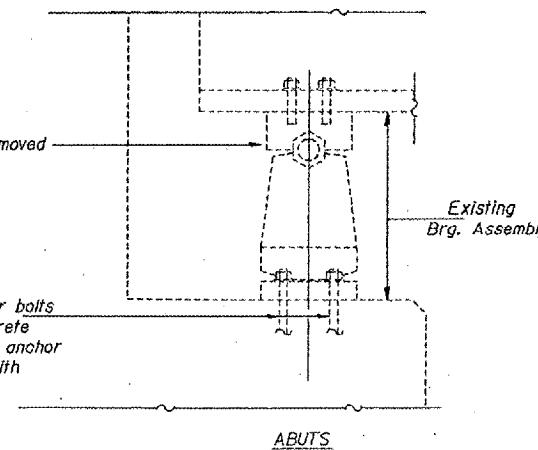
TYPE I ELASTOMERIC EXP. BRG.



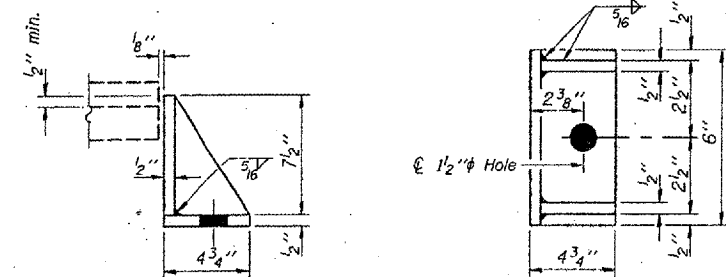
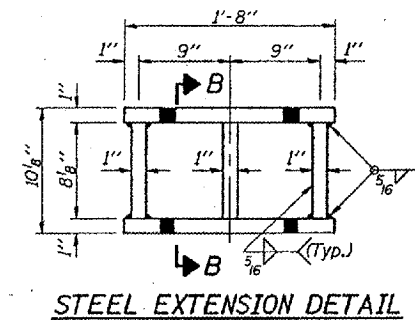
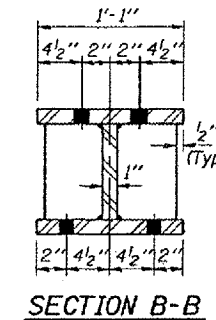
Note: Shim plates shall not be placed under Bearing Assembly.

* Existing Top \bar{r} to be removed

* Burn the existing anchor bolts flush with existing concrete surface. Grind existing anchor bolts smooth and seal with epoxy.



* Cost is included with Jack and Remove Existing Bearings



SIDE RETAINER (NEAR FRONT FACE)

Equivalent rolled angle with stiffeners will be allowed in lieu of welded plates. (24 Required)

BRIDGE NO. 6
S.N. 100-0060
FOR INFORMATION ONLY

BILL OF MATERIAL

Item	Unit	Total
Elastomeric Bearing Assembly Type I	Each	12

TYPE I BEARING REPLACEMENT
ABUTMENTS
WILLIAMSON COUNTY
SN 100-0060

BRIDGE REPAIRS FOR S.N. 100-0060

DESIGNED	T. Wayne Halstead
CHECKED	MAS
DRAWN	T. Wayne Halstead
CHECKED	TWH MAS