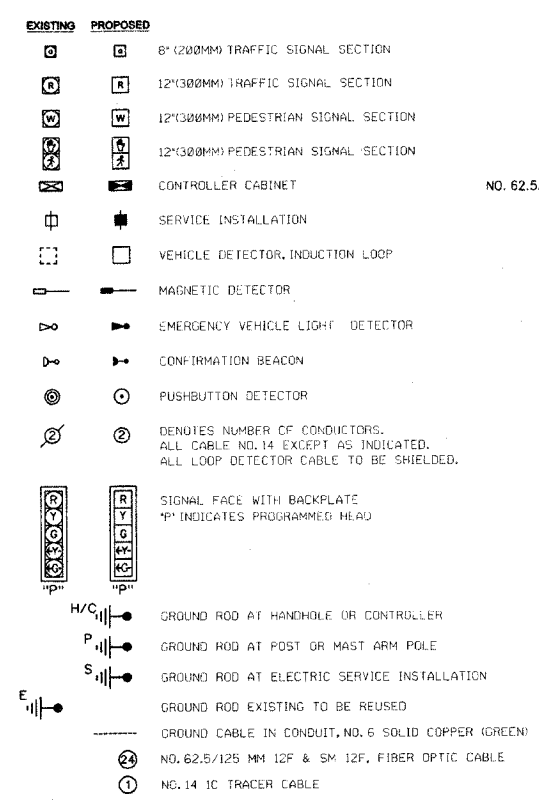


Section 99-00215-00-TL  
Sheet 49

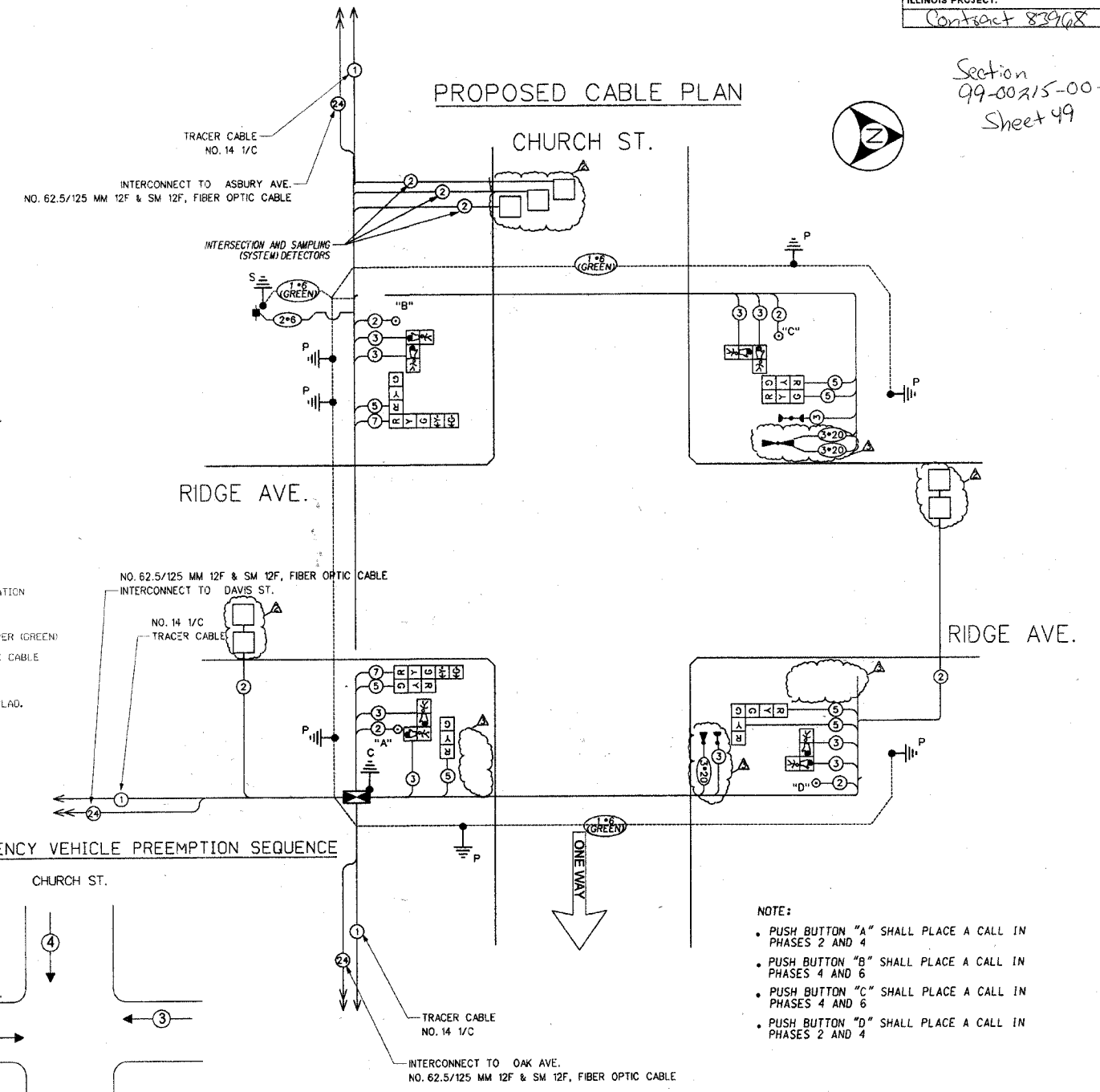
**SCHEDULE OF QUANTITIES**

QTY	UNIT	ITEM DESCRIPTION
344	FOOT	THERMOPLASTIC PAVEMENT MARKING-LINE 6"
70	FOOT	THERMOPLASTIC PAVEMENT MARKING-LINE 24"
1	EACH	SERVICE INSTALLATION, POLE MOUNTED
8	FOOT	CONDUIT IN TRENCH, 2 1/2" DIA., GALVANIZED STEEL
10	FOOT	CONDUIT IN TRENCH, 3" DIA., GALVANIZED STEEL
10	FOOT	CONDUIT IN TRENCH, 5" DIA., GALVANIZED STEEL
1104	FOOT	CONDUIT PUSHED, 2" DIA., GALVANIZED STEEL
62	FOOT	CONDUIT PUSHED, 2 1/2" DIA., GALVANIZED STEEL
175	FOOT	CONDUIT PUSHED, 4" DIA., GALVANIZED STEEL
5	EACH	HANDHOLE
2	EACH	HEAVY-DUTY HANDHOLE
1	EACH	DOUBLE HANDHOLE
28	FOOT	TRENCH AND BACKFILL FOR ELECTRICAL WORK
1	EACH	FULL-ACTUATED CONTROLLER AND TYPE IV CABINET, SPECIAL
1	EACH	TRANSCIVER - FIBER OPTIC
770	FOOT	ELECTRIC CABLE IN CONDUIT, GROUNDING, NO. 6 1C
421	FOOT	ELECTRIC CABLE IN CONDUIT, SIGNAL NO. 14 2C
1216	FOOT	ELECTRIC CABLE IN CONDUIT, SIGNAL NO. 14 3C
683	FOOT	ELECTRIC CABLE IN CONDUIT, SIGNAL NO. 14 5C
163	FOOT	ELECTRIC CABLE IN CONDUIT, SIGNAL NO. 14 7C
1796	FOOT	ELECTRIC CABLE IN CONDUIT, LEAD-IN, NO. 14 1 PAIR
529	FOOT	ELECTRIC CABLE IN CONDUIT, NO. 20 3/C, TWISTED, SHIELDED
385	FOOT	ELECTRIC CABLE IN CONDUIT, SERVICE, NO. 6 2C
1	EACH	TRAFFIC SIGNAL POST, GALVANIZED STEEL 10 FT.
1	EACH	TRAFFIC SIGNAL POST, GALVANIZED STEEL 14 FT.
3	EACH	TRAFFIC SIGNAL POST, GALVANIZED STEEL 16 FT.
1	EACH	TRAFFIC SIGNAL POST, GALVANIZED STEEL 18 FT.
24	FOOT	CONCRETE FOUNDATION, TYPE A
4	FOOT	CONCRETE FOUNDATION, TYPE D
1	EACH	SIGNAL HEAD, LED, 1-FACE, 3-SECTION, BRACKET MOUNTED
5	EACH	INDUCTIVE LOOP DETECTOR
180	FOOT	DETECTOR LOOP, TYPE 1
2	EACH	LIGHT DETECTOR
1	EACH	LIGHT DETECTOR AMPLIFIER
4	EACH	PEDESTRIAN PUSH-BUTTON
1	EACH	TEMPORARY TRAFFIC SIGNAL INSTALLATION
1	EACH	REMOVE EXISTING TRAFFIC SIGNAL EQUIPMENT
4	EACH	REMOVE EXISTING HANDHOLE
5	EACH	REMOVE EXISTING CONCRETE FOUNDATION
2	EACH	SIGNAL HEAD, LED, 2-FACE, 3-SECTION, BRACKET MOUNTED
2	EACH	SIGNAL HEAD, LED, 2-FACE, 1-3 SECTION, 1-5 SECTION, BRACKET MOUNTED
4	EACH	PEDESTRIAN SIGNAL HEAD, LED, 2-FACE, BRACKET MOUNTED
1	EACH	REMOVE EXISTING SERVICE INSTALLATION

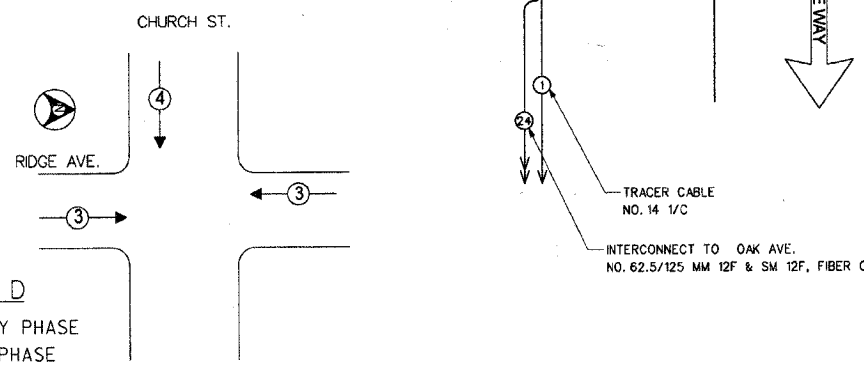
**CABLE PLAN LEGEND**



**PROPOSED CABLE PLAN**

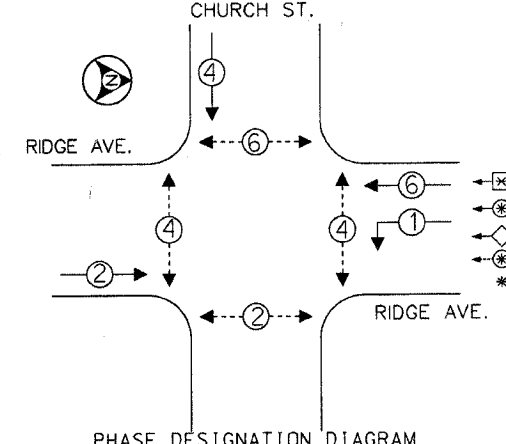


**PROPOSED EMERGENCY VEHICLE PREEMPTION SEQUENCE**

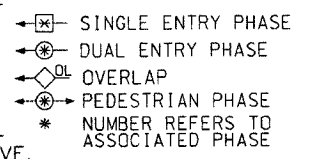


NOTE:  
 • PUSH BUTTON "A" SHALL PLACE A CALL IN PHASES 2 AND 4  
 • PUSH BUTTON "B" SHALL PLACE A CALL IN PHASES 4 AND 6  
 • PUSH BUTTON "C" SHALL PLACE A CALL IN PHASES 4 AND 6  
 • PUSH BUTTON "D" SHALL PLACE A CALL IN PHASES 2 AND 4

**PROPOSED CONTROLLER SEQUENCE**



**LEGEND**



**PHASE DESIGNATION DIAGRAM**

FOUNDATION (DEPTH)	(FT.)	CABLE SLACK	(FT.)	VERTICAL	(FT.)
TYPE A - POST	4	HANDHOLE	6.5	ALL FOUNDATIONS	3.5
D - CONTROLLER	4	DOUBLE HANDHOLE	13	MAST ARM (L) POLE	20'+L-2 =
E - M ARM POLE	24"	SIGNAL POST	2	BRACKET MOUNTED	13
	30"	CONTROLLER CAB.	1	PED. PUSHBUTTON	4
		FIBER OPTIC	13	ELECTRIC SERVICE	13.5
		ELECTRIC SERVICE	1	SERVICE TO GROUND	13.5
		GROUND CABLE	1	POST MOUNTED	6

PROPOSED EMERGENCY VEHICLE PREEMPTORS	
EMERGENCY VEHICLE PREEMPTOR	3 4
MOVEMENT	← → ↑ ↓

THE TRAFFIC SIGNAL CONTROL EQUIPMENT FOR THIS PROJECT SHALL BE "EAGLE" TO MATCH THE EXISTING ADJACENT SYSTEM.

**CABLE PLAN, PHASE DESIGNATION DIAGRAM AND SCHEDULE OF QUANTITIES**

RIDGE AVE. @ CHURCH ST.  
EVANSTON, ILLINOIS

CITY OF EVANSTON

T49

SCALE: NOT TO SCALE  
DATE: APRIL 28, 2006  
DRAWN BY: DWS  
CHECKED BY: PAW

**I.D.O.T. TRAFFIC SIGNAL INSTALLATION ELECTRICAL SERVICE REQUIREMENTS**

TYPE	NO. OF LAMPS	WATTAGE	LED % OPERATIONS	TOTAL WATTAGE
SIGNAL (RED)	9	135	17	76.5
(YELLOW)	9	135	25	56.25
(GREEN)	9	135	15	33.75
ARROW	4	135	12	4.8
PED. SIGNAL	8	90	25	200
CONTROLLER	1	100	100	100
ILLUM. SIGN		84		0.05
FLASHER			0.50	
TOTAL =				471.3

ENERGY COSTS - BILLED TO: CITY OF EVANSTON  
(ADDRESS)  
ENERGY SUPPLY - CONTACT: MIKE LYNCH  
PHONE: (847) 291-3329  
COMPANY: COMED

PREPARED BY METRO TRANSPORTATION GROUP, INC.