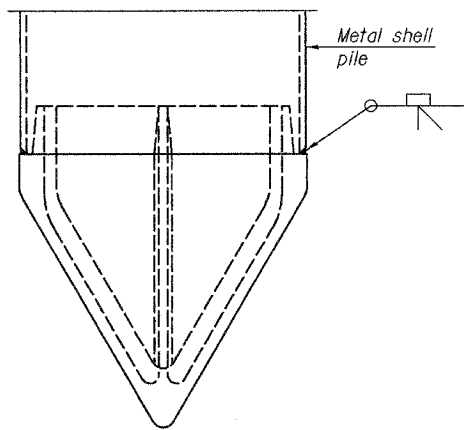
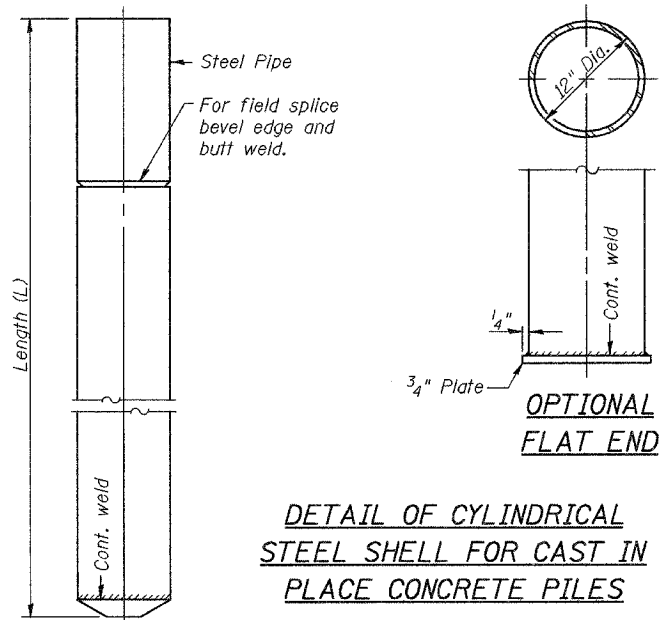


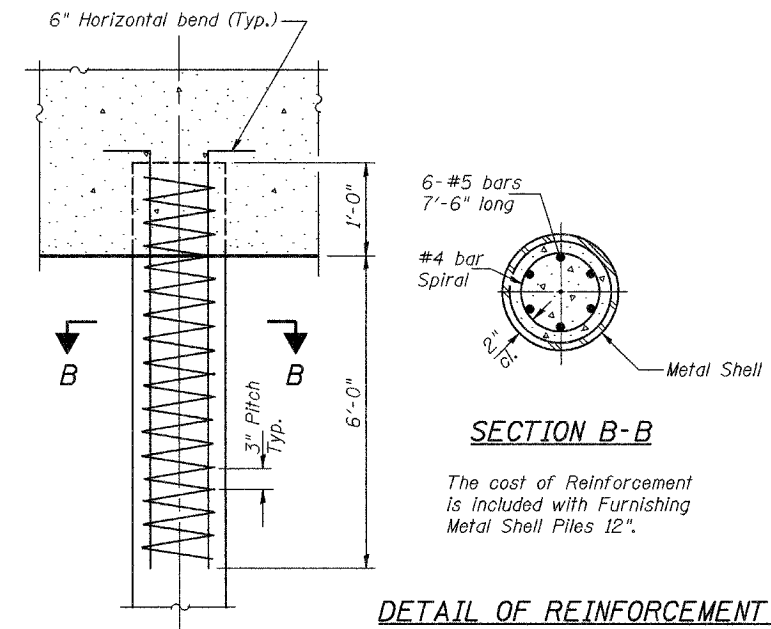
Notes: Driving and bearing ends of pipe shall be cut square. The thickness of the shell shall be 0.25 inches with a tolerance of 5%. The shell shall be according to Article 1006.05(a) of the Standard Specifications, and shall be ASTM A252 Grade 3.



METAL SHELL PILE SHOE ATTACHMENT

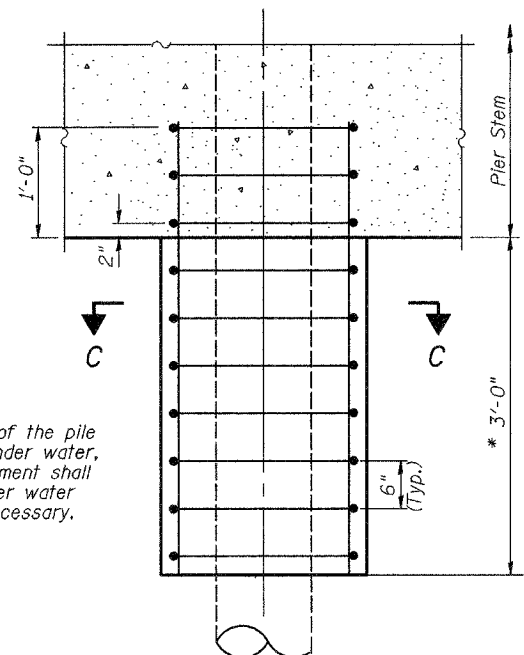


DETAIL OF CYLINDRICAL STEEL SHELL FOR CAST IN PLACE CONCRETE PILES



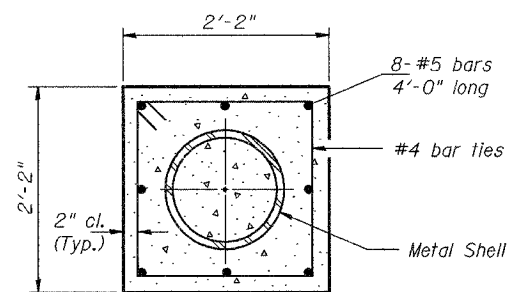
DETAIL OF REINFORCEMENT FOR METAL SHELLS AT ABUTMENTS

SECTION B-B
The cost of Reinforcement is included with Furnishing Metal Shell Piles 12".

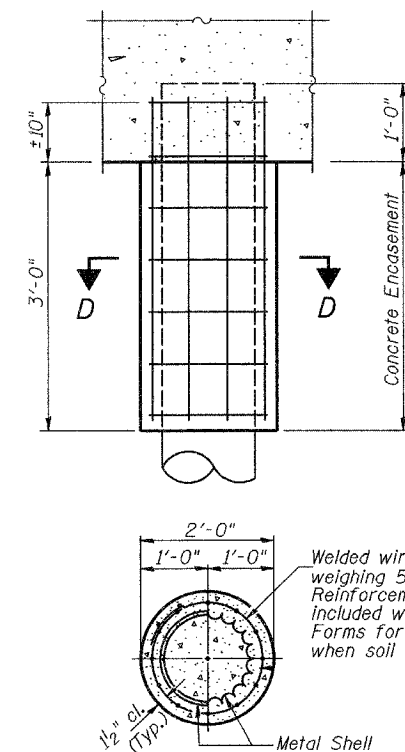


DETAIL OF PROTECTION FOR METAL SHELLS AT PIERS

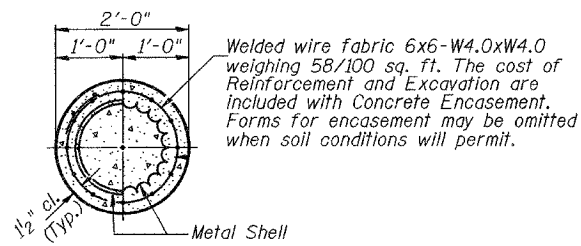
* If a portion of the pile encasement is under water, Concrete Encasement shall be tremied under water into forms as necessary.



SECTION C-C
The cost of Reinforcement and Excavation are included with Concrete Encasement.



DETAIL OF METAL SHELL PILE ENCASEMENT AT ABUTMENTS



SECTION D-D

Welded wire fabric 6x6-W4.0xW4.0 weighing 58/100 sq. ft. The cost of Reinforcement and Excavation are included with Concrete Encasement. Forms for encasement may be omitted when soil conditions will permit.

PILE DETAILS
T.R. 434 OVER MUD CREEK
SECTION 06-26102-01-BR
IROQUOIS COUNTY
STATION 20+00.00