

**SUMMARY OF QUANTITIES**

CODE NO.	ITEM	UNIT	QUANTITY
28100209	STONE RIPRAP, CLASS A5	TON	570
28200200	FILTER FABRIC	SQ YD	545
40600100	BITUMINOUS MATERIALS (PRIME COAT)	GALLON	14
40600982	HOT-MIX ASPHALT SURFACE REMOVAL - BUTT JOINT	SQ YD	147
40603310	HOT-MIX ASPHALT SURFACE COURSE, MIX "C", N50	TON	49
① 50101500	REMOVAL OF EXISTING SUPERSTRUCTURES	EACH	1
50300225	CONCRETE STRUCTURES	CU YD	3.1
50400405	PRECAST PRESTRESSED CONCRETE DECK BEAMS (21" DEPTH)	SQ FT	2,995
① 50800105	REINFORCEMENT BARS	POUND	230
50901050	STEEL RAILING, TYPE SM	FOOT	203
51500100	NAME PLATES	EACH	1
58100200	WATERPROOFING MEMBRANE SYSTEM	SQ YD	338
58300100	PORTLAND CEMENT MORTAR FAIRING COURSE	FOOT	225
* 63301210	REMOVE AND RE-ERECT STEEL PLATE BEAM GUARDRAIL, TYPE A	FOOT	25
* ① 63302700	REMOVE AND RE-ERECT TRAFFIC BARRIER TERMINAL, TYPE 6	EACH	4
67100100	MOBILIZATION	L SUM	1
① 70103700	TRAFFIC CONTROL COMPLETE	L SUM	1
* 78001110	PAINT PAVEMENT MARKING - LINE 4"	FOOT	700
X6330103	REMOVE AND RE-ERECT TRAFFIC BARRIER TERMINAL, TYPE 1 SPECIAL, TANGENT	EACH	4

① SEE SPECIAL PROVISIONS

CONSTRUCTION CODE TYPE: X080-2#

\* SPECIALTY ITEMS

**HOT-MIX ASPHALT SCHEDULE**

STATION TO STATION	WIDTH	LENGTH	PRIME COAT GALLON 0.10 GAL/SQ YD	HOT-MIX ASPHALT SURFACE CSE TON 112#/SQ YD/IN
112+98.33 - 113+28.33	22.00'	30.00'	7	
114+29.66 - 114+59.66	22.00'	30.00'	7	
112+98.33 - 113+28.33	22.13'	30.00'		6
113+28.33 - 114+29.66	30.00'	101.33'		37
114+29.66 - 114+59.66	22.13'	30.00'		6
TOTAL			14	49

**REMOVE AND RE-ERECT  
TRAFFIC BARRIER TERMINAL, TYPE 1 SPECIAL, TANGENT**

STATION TO STATION	SIDE	EACH
112+29.12 - 112+79.12	RIGHT	1
112+52.54 - 113+02.54	LEFT	1
114+55.45 - 115+05.45	RIGHT	1
114+78.87 - 115+28.87	LEFT	1
TOTAL		4

**REMOVE AND RE-ERECT  
TRAFFIC BARRIER TERMINAL, TYPE 6**

STATION TO STATION	SIDE	EACH
112+91.62 - 113+22.87	RIGHT	1
113+02.54 - 113+33.79	LEFT	1
114+24.20 - 114+55.45	RIGHT	1
114+35.12 - 114+66.37	LEFT	1
TOTAL		4

SEE SPECIAL DETAILS IN SPECIAL PROVISIONS

**REMOVE AND RE-ERECT  
STEEL PLATE BEAM GUARDRAIL, TYPE A**

STATION TO STATION	SIDE	FOOT
112+79.12 - 112+91.62	RIGHT	12.5
114+66.37 - 114+78.87	LEFT	12.5
TOTAL		25

**PAINT PAVEMENT MARKING - LINE 4"**

STATION TO STATION	SIDE	DESCRIPTION	FOOT
112+90.00 - 114+65.00	CENTERLINE	DOUBLE YELLOW SOLID	350
112+90.00 - 114+65.00	LEFT & RIGHT	EDGE LINE	350
TOTAL			700

**GENERAL NOTES**

ALL WASTE OR UNDESIRABLE MATERIAL AS IDENTIFIED BY THE ENGINEER SHALL BE DISPOSED OF OUTSIDE THE LIMITS OF THE RIGHT OF WAY AT THE CONTRACTOR'S EXPENSE.

ALL EXISTING PRIVATELY OWNED UTILITIES REQUIRING ADJUSTMENT WILL BE MADE BY THE UTILITY COMPANY INVOLVED. WHERE NO PROVISIONS HAVE BEEN MADE FOR ADJUSTMENTS ON THE PLANS, NO ADDITIONAL COMPENSATION WILL BE ALLOWED DUE TO DELAYS OR INCONVENIENCES CAUSED BY THE SAID UTILITY ADJUSTMENTS.

ANY REFERENCE TO STANDARDS THROUGHOUT THE PLANS SHALL BE INTERPRETED TO BE THE LATEST STANDARDS OF THE ILLINOIS DEPARTMENT OF TRANSPORTATION

THE LOCATION OF UNDERGROUND UTILITIES SHOWN ON THE PLANS REPRESENTS THE BEST KNOWLEDGE OF THE COUNTY. IT SHALL BE THE CONTRACTOR'S RESPONSIBILITY TO VERIFY LOCATIONS OF UNDERGROUND INSTALLATIONS BEFORE STARTING CONSTRUCTION OPERATIONS. THE CONTRACTOR SHALL INDEMNIFY THE COUNTY, ITS OFFICERS AND EMPLOYEES AGAINST ALL CLAIMS DUE TO DAMAGE TO CORPORATE OR PRIVATE PROPERTY RESULTING FROM HIS CONSTRUCTION OPERATIONS AS DESCRIBED IN ARTICLES 107.20 AND 107.26 OF THE STANDARD SPECIFICATIONS.

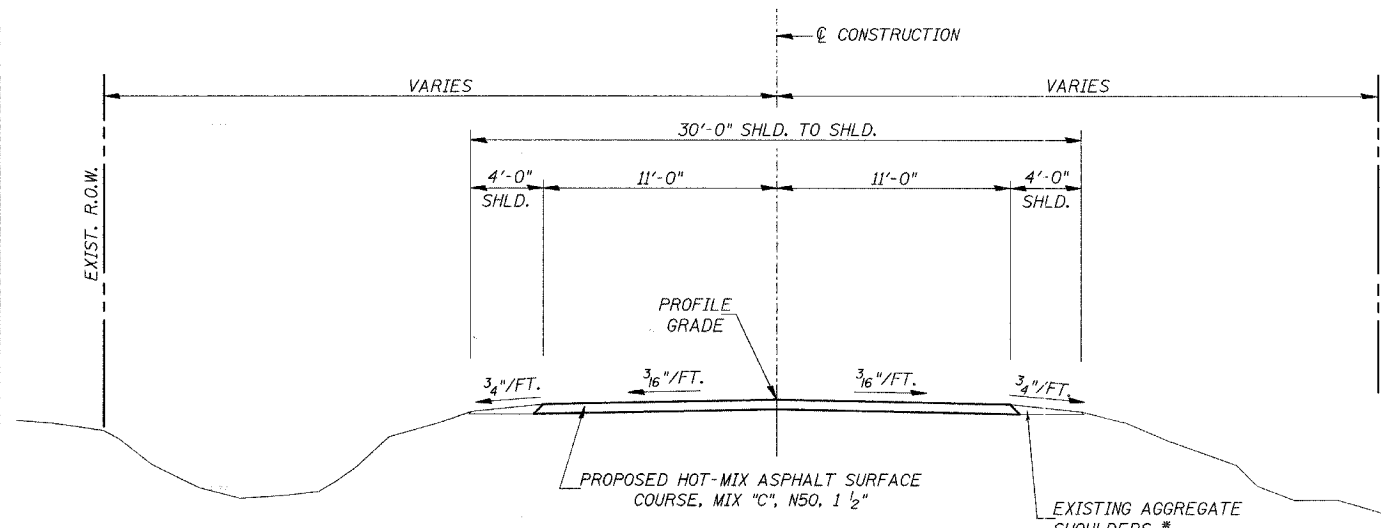
WHERE SECTION OR SUBSECTION MONUMENTS ARE ENCOUNTERED, THE ENGINEER SHALL BE NOTIFIED BEFORE SUCH MONUMENTS ARE REMOVED. THE CONTRACTOR SHALL PROTECT AND PRESERVE PROPERTY MARKERS UNTIL THE OWNER, AN AUTHORIZED SURVEYOR, OR AGENT, HAS WITNESSED OR OTHERWISE REFERENCED THEIR LOCATION.

ALL ELEVATIONS SHOWN REFER TO AN U.S.G.S. MEAN SEA LEVEL DATUM.

**MIX DESIGN TABLE**

MIXTURE USE	SURFACE (MIX "C"), N50
PG GRADE	PG 64-22
DESIGN AIR VOIDS	4% @ N50
MAX COMPOSITION: (GRADATION MIXTURE)	IL-9.5 or 12.5
FRICITION AGGREGATE	MIXTURE C

If RAP option is selected, the asphalt cement grade may need to be adjusted. This will be determined by the Engineer.

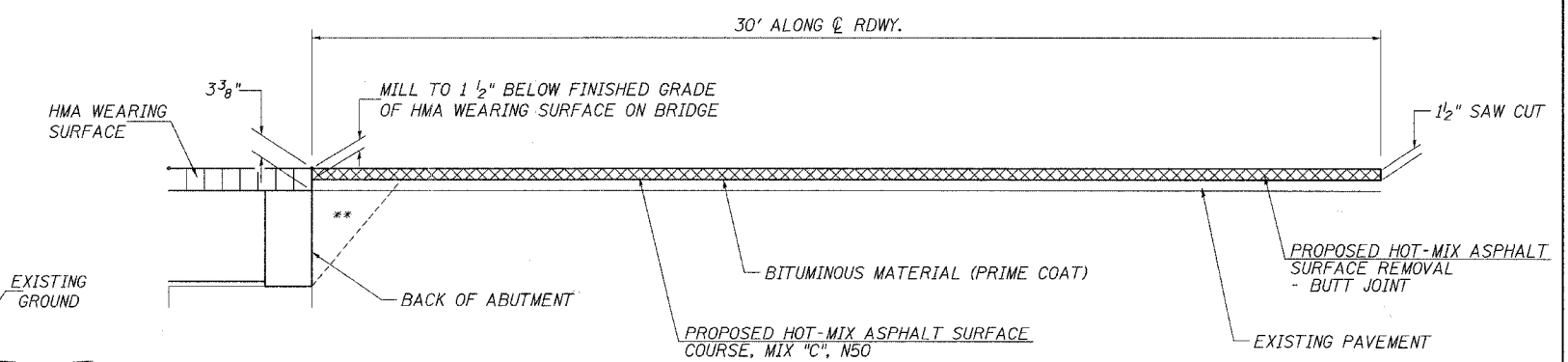


**EXISTING/PROPOSED TYPICAL SECTION**

STA. 112+98.33 TO STA. 113+28.33  
STA. 114+29.66 TO STA. 114+59.66  
EXCEPT TRANSITIONS

BRIDGE OMISSION  
STA. 113+28.33 TO STA. 114+29.66

\* COST OF REGRADING EXISTING AGGREGATE SHOULDERS DUE TO CONSTRUCTION ACTIVITIES SHALL BE INCLUDED WITH HOT-MIX ASPHALT SURFACE COURSE



**BUTT JOINT DETAIL**

\*\* ANY EXCAVATION REQUIRED BEHIND THE ABUTMENTS FOR REMOVAL OF THE EXISTING SUPERSTRUCTURE OR CONSTRUCTION OF THE PROPOSED BACKWALLS SHALL BE BACKFILLED WITH CONTROLLED LOW-STRENGTH MATERIAL. COST OF ANY EXCAVATION OR BACKFILL REQUIRED SHALL BE INCLUDED WITH "REMOVAL OF EXISTING SUPERSTRUCTURES".