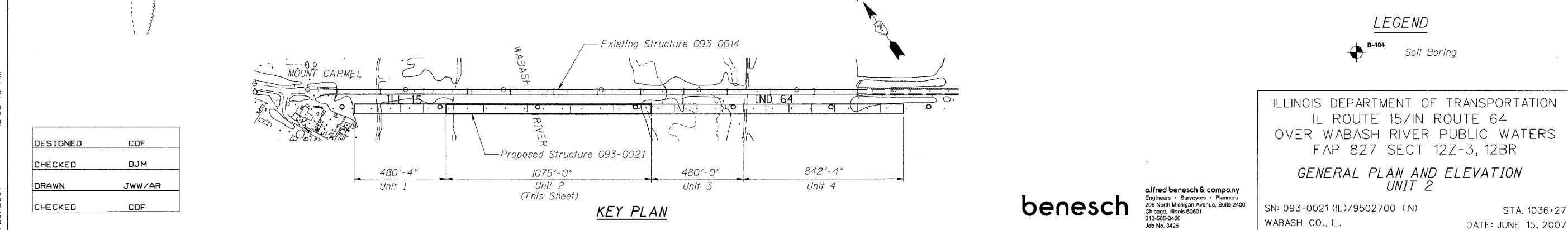
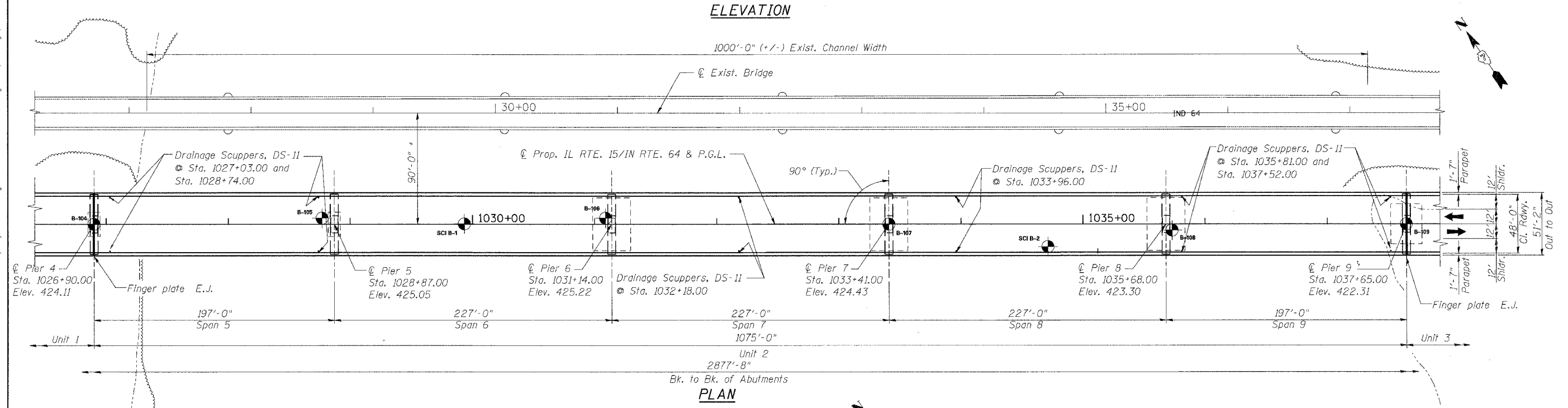
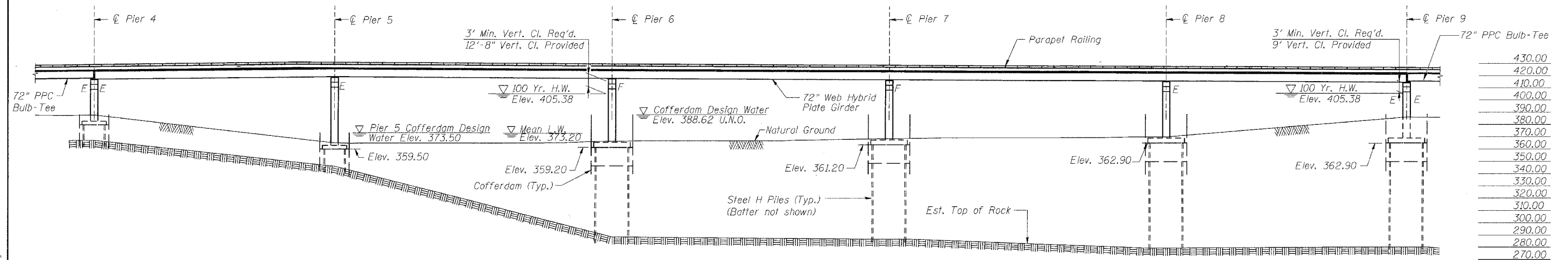


ROUTE No.	SECTION	COUNTY	TOTAL SHEETS	SHEET NO.
F.A.P. 827	12Z-3, 12BR	WABASH, IL GIBSON, IN	158	18
STA.		TO STA.		
F.H.W.A. REGION		ILLINOIS	PROJECT	

BRIDGE SHEET S2 OF S114 CONTRACT 94450



LEGEND

B-104 Soil Boring

ILLINOIS DEPARTMENT OF TRANSPORTATION
 IL ROUTE 15/IN ROUTE 64
 OVER WABASH RIVER PUBLIC WATERS
 FAP 827 SECT 12Z-3, 12BR
**GENERAL PLAN AND ELEVATION
 UNIT 2**

SN: 093-0021 (IL)/9502700 (IN) STA. 1036+27
 WABASH CO., IL. DATE: JUNE 15, 2007

benesch
 alfred benesch & company
 Engineers • Surveyors • Planners
 205 North Michigan Avenue, Suite 2400
 Chicago, Illinois 60601
 312-685-9450
 Job No. 3426

DESIGNED	CDF
CHECKED	DJM
DRAWN	JWW/AR
CHECKED	CDF

6/26/2007 12:58:40 PM m:\proj3426\stage_2\structures\design\super\sgnps002.dgn