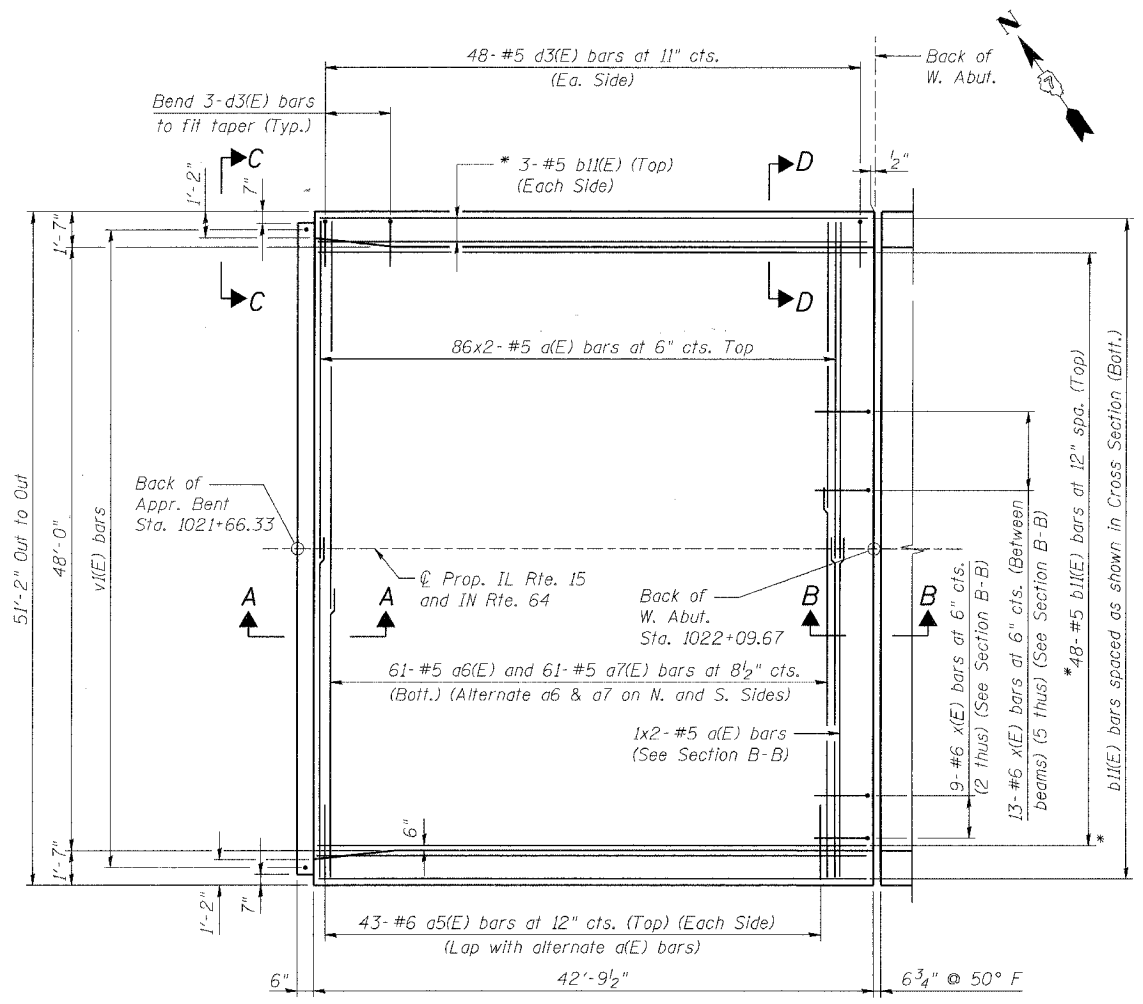
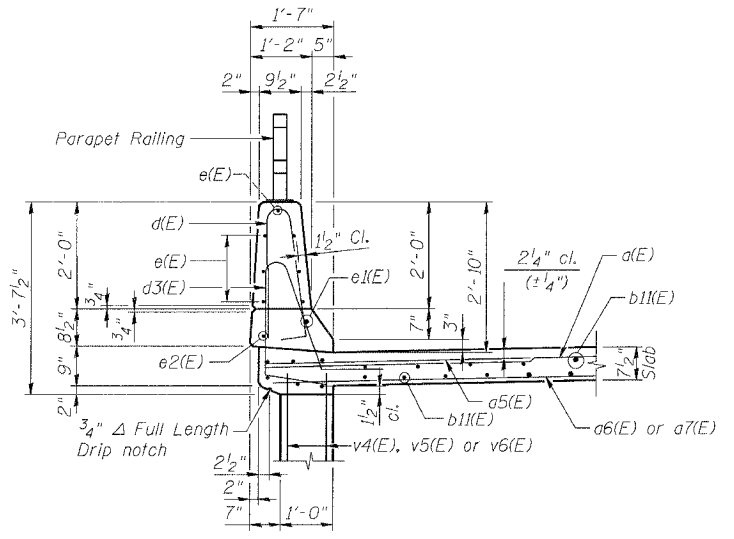


ROUTE No.	SECTION	COUNTY	TOTAL SHEETS	SHEET NO.
F.A.P. 827	12Z-3, 12BR	WABASH, IL GIBSON, IN	158	38
STA.	TO STA.			
F.H.W.A. REGION	ILLINOIS	PROJECT		

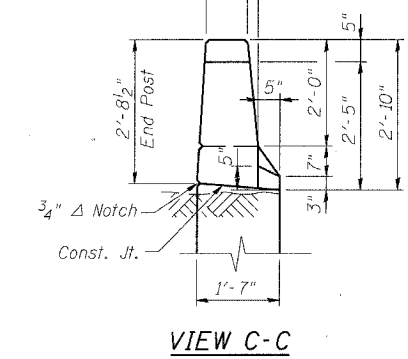
BRIDGE SHEET S22 OF S114 CONTRACT 94450



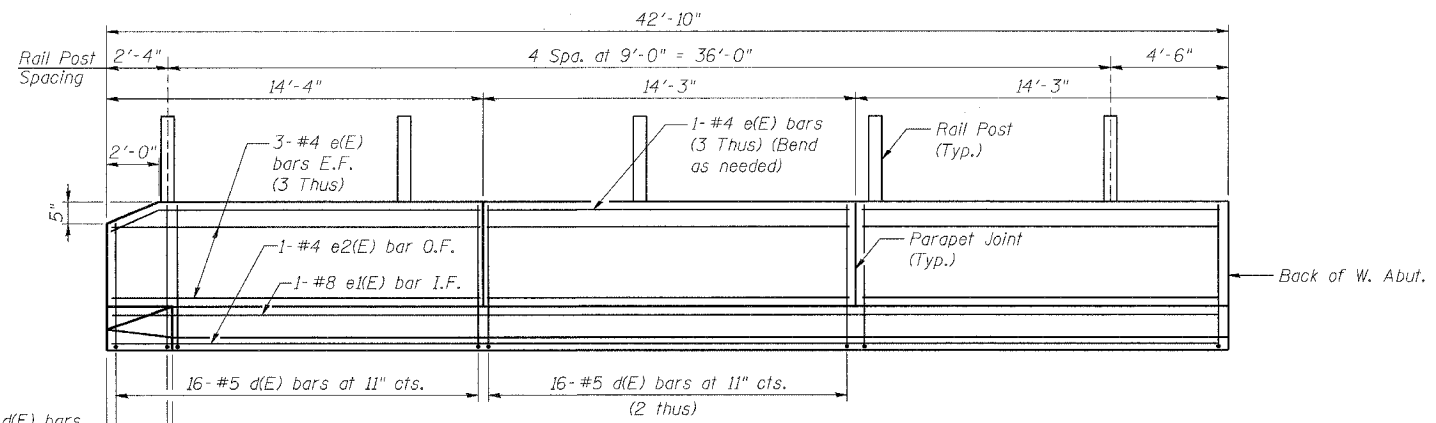
PLAN



SECTION D-D

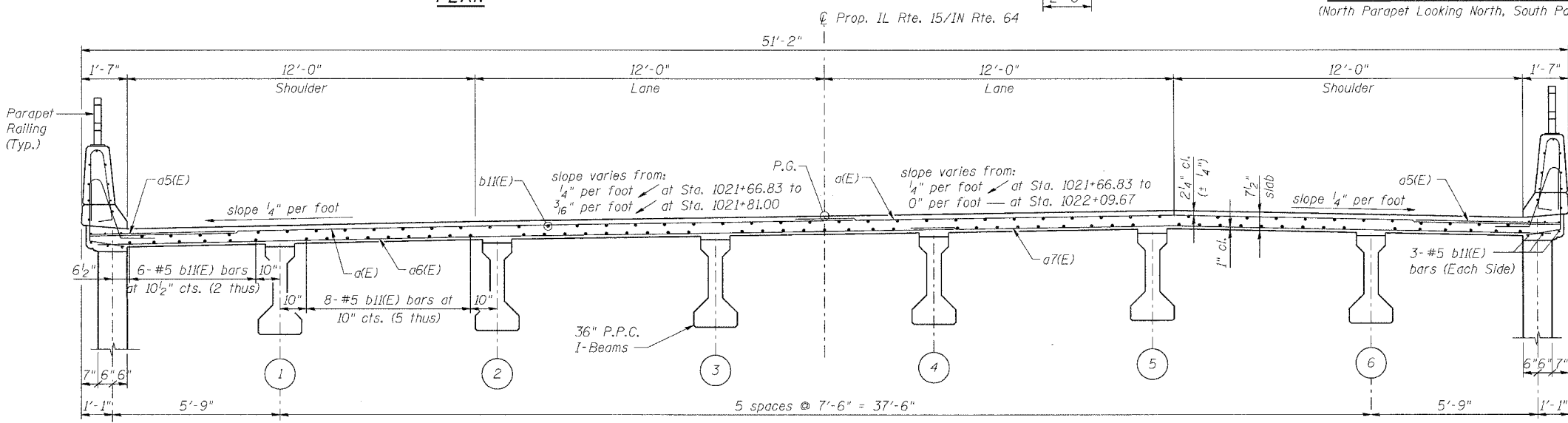


VIEW C-C



INSIDE ELEVATION OF PARAPET
(North Parapet Looking North, South Parapet Similar)

* Cut bars to fit in the field if necessary.



CROSS SECTION
(Looking Upstation)

NOTES:

1. Work this Sheet with Sheet S35.
2. Reinforcement bars designated (E) shall be epoxy coated.
3. Bars indicated thus: 86x2-#5 etc., indicates 86 lines of bars with 2 lengths per line.
4. See West Abutment for v3(E) bars thru v6(E) bars.
5. For Sections A-A and B-B, See Sheet S46.
6. For parapet joint detail, See Sheet S31.
7. Use the following minimum lap lengths unless noted otherwise: #5 - 2'-2"
8. For Parapet railing details, See Sheet S45.
9. I.F. denotes Inside Face.
O.F. denotes Outside Face.
E.F. denotes Each Face.
P.G. denotes Profile Grade.

ILLINOIS DEPARTMENT OF TRANSPORTATION
IL ROUTE 15/IN ROUTE 64
OVER WABASH RIVER PUBLIC WATERS
FAP 827 SECT 12Z-3, 12BR

**WEST ABUTMENT
APPROACH SPAN DETAILS**

SN: 093-0021 (IL)/9502700 (IN) STA. 1036+27
WABASH CO., IL. DATE: JUNE 15, 2007

benesch
alfred benesch & company
Engineers - Surveyors - Planners
205 North Michigan Avenue, Suite 2400
Chicago, Illinois 60601
312-566-0450
Job No. 3426

DESIGNED	WJZ
CHECKED	ADD/KWS
DRAWN	WJZ
CHECKED	ADD

m:\proj\3426\stage-2\structures\design\super\sopd1001.dgn 12:59:47 PM 6/26/2007