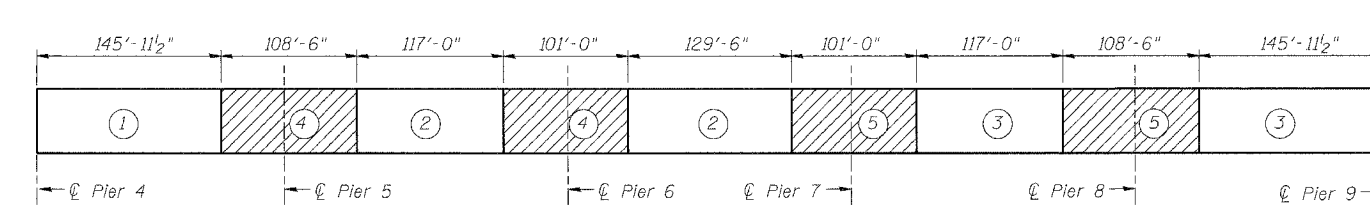
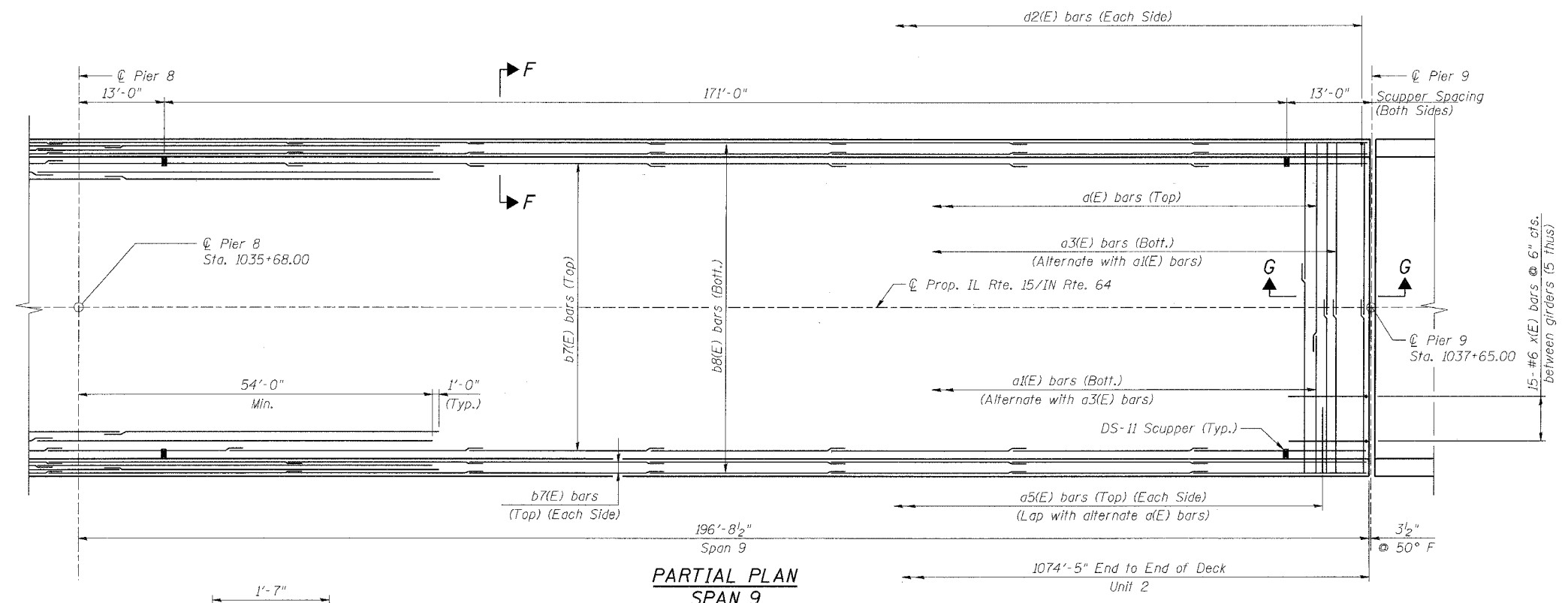
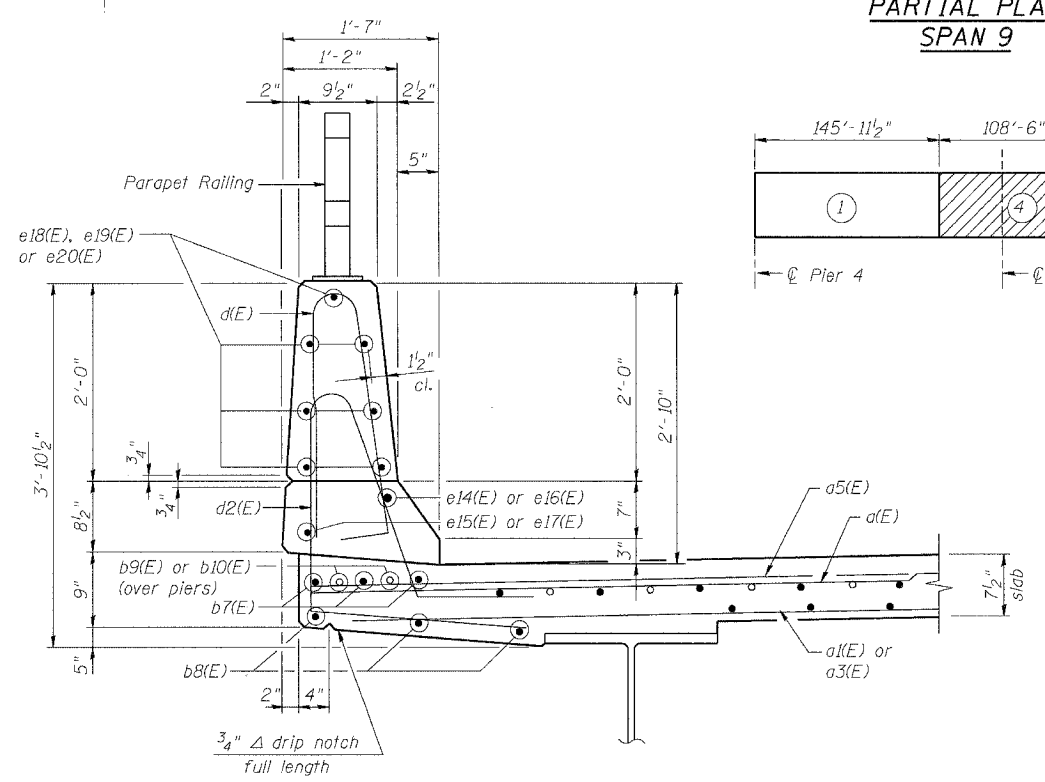


ROUTE No.	SECTION	COUNTY	TOTAL SHEETS	SHEET NO.
F.A.P. 827	12Z-3, 12BR	WABASH, IL GIBSON, IN	158	42
STA.		TO STA.		
F.H.W.A. REGION		ILLINOIS	PROJECT	

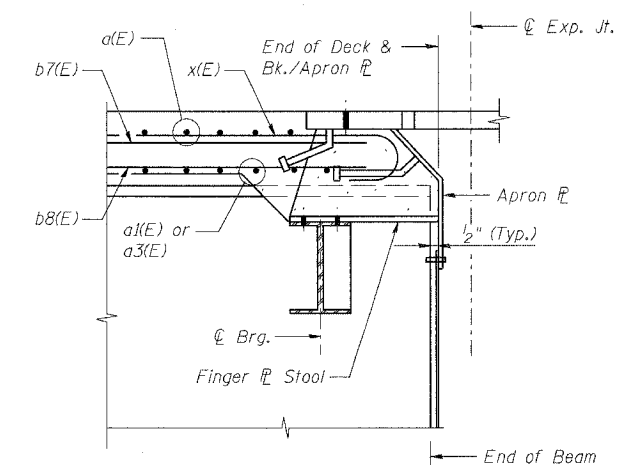
BRIDGE SHEET S26 OF S114 CONTRACT 94450



**UNIT 2 REQUIRED DECK POUR SEQUENCE**  
(See General Note 15 on Sheet S5.)  
(Unit 2 pour sequence shown above is required and may not be changed.)



**SECTION F-F**  
Spans 5-9



**SECTION G-G**

**NOTES:**

1. Work this Sheet with Sheets S30-S36.
2. Reinforcement bars designated (E) shall be epoxy coated.
3. Bars indicated thus 6x2-#7 etc., indicates 6 lines of bars with 2 lengths per line. See Sheets S31-S34.
4. For parapet elevation, details, joint spacing and reinforcement. See Sheets S31-S34.
5. Use the following minimum lap lengths unless noted otherwise: #5 - 2'-2", #6 - 2'-7".
6. See Sheet S35 for additional reinforcement around scuppers.
7. I.F. denotes Inside Face. O.F. denotes Outside Face.

ILLINOIS DEPARTMENT OF TRANSPORTATION  
IL ROUTE 15/IN ROUTE 64  
OVER WABASH RIVER PUBLIC WATERS  
FAP 827 SECT 12Z-3, 12BR  
**DECK REINFORCEMENT PLAN**  
SPAN 9 (UNIT 2)

SN: 093-0021 (IL)/9502700 (IN) STA. 1036+27  
WABASH CO., IL. DATE: JUNE 15, 2007

**benesch**  
alfred benesch & company  
Engineers - Surveyors - Planners  
205 North Michigan Avenue, Suite 2400  
Chicago, Illinois 60601  
312-268-3450  
JED No. 3426

DESIGNED	WJZ/MRB
CHECKED	ADD/KWS
DRAWN	WJZ/CDF
CHECKED	ADD/KWS

m:\proj\3426\stage\_2\structures\design\super\sdkrrf004.dgn  
6/26/2007 12:59:53 PM