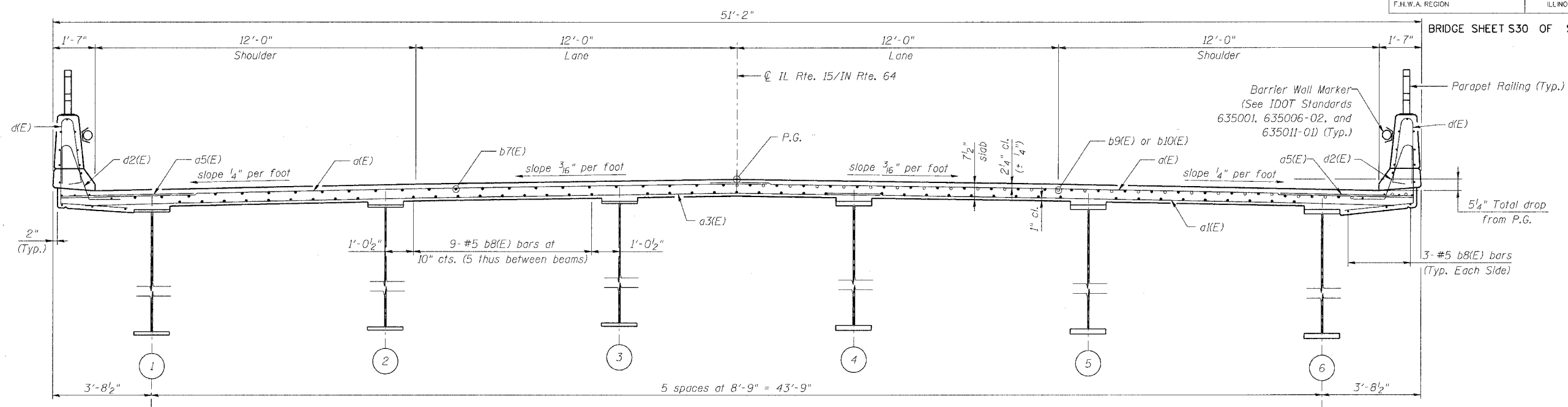
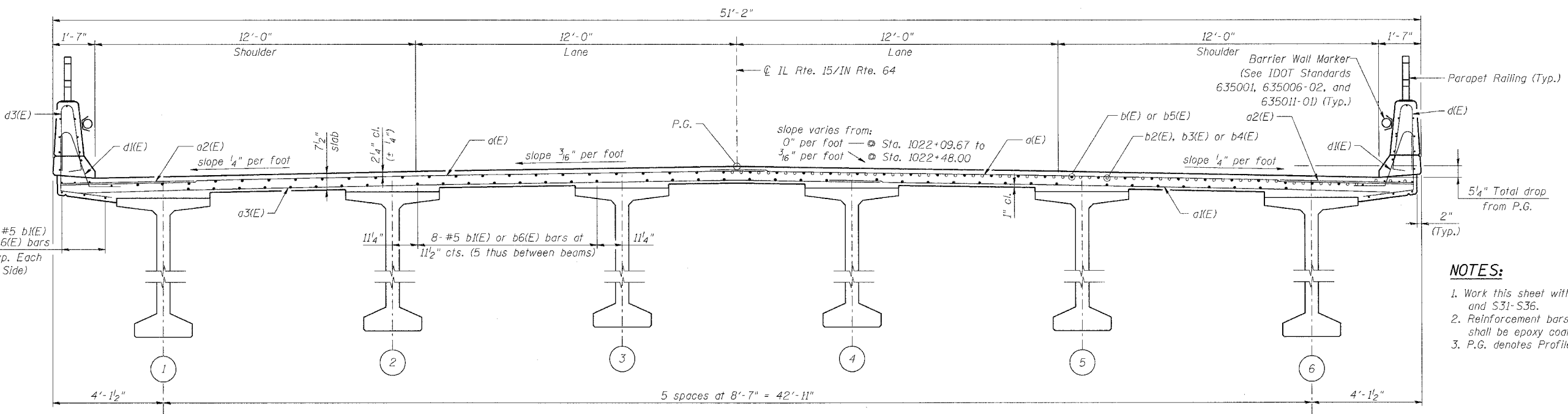


ROUTE No.	SECTION	COUNTY	TOTAL SHEETS	SHEET NO.
F.A.P. 827	12Z-3, 12BR	WABASH, IL GIBSON, IN	158	46
STA.		TO STA.		
F.H.W.A. REGION		ILLINOIS	PROJECT	

BRIDGE SHEET S30 OF S114 CONTRACT NO. 94450



NEAR MIDSPAN CROSS SECTION SPANS 5-9 (UNIT 2) (Looking Upstation) NEAR PIER



NEAR MIDSPAN CROSS SECTION SPANS 1-4 AND 10-20 (UNIT 1, 3 & 4) (Looking Upstation) NEAR PIER

- NOTES:**
1. Work this sheet with sheets S23-S29, and S31-S36.
 2. Reinforcement bars designated (E) shall be epoxy coated.
 3. P.G. denotes Profile Grade.

DESIGNED	WJZ
CHECKED	ADD/KWS
DRAWN	WJZ
CHECKED	ADD

benesch
alfred benesch & company
Engineers • Surveyors • Planners
206 North Michigan Avenue, Suite 2400
Chicago, Illinois 60601
312.955.0450
Job No. 3426

ILLINOIS DEPARTMENT OF TRANSPORTATION
IL ROUTE 15/IN ROUTE 64
OVER WABASH RIVER PUBLIC WATERS
FAP 827 SECT 12Z-3, 12BR

**DECK CROSS SECTIONS
(UNITS 1-4)**

SN: 093-0021 (IL)/9502700 (IN) STA. 1036+27
WABASH CO., IL. DATE: JUNE 15, 2007

m:\proj\3426\stage_2\structures\design\super\skxs001.dgn 6/26/2007 1:00:00 PM