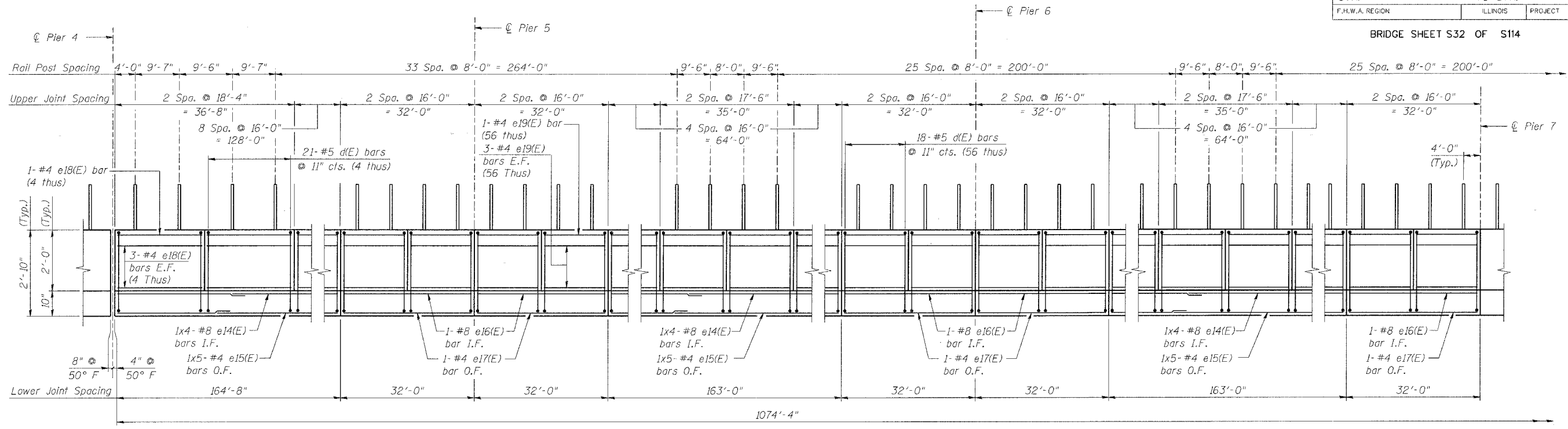
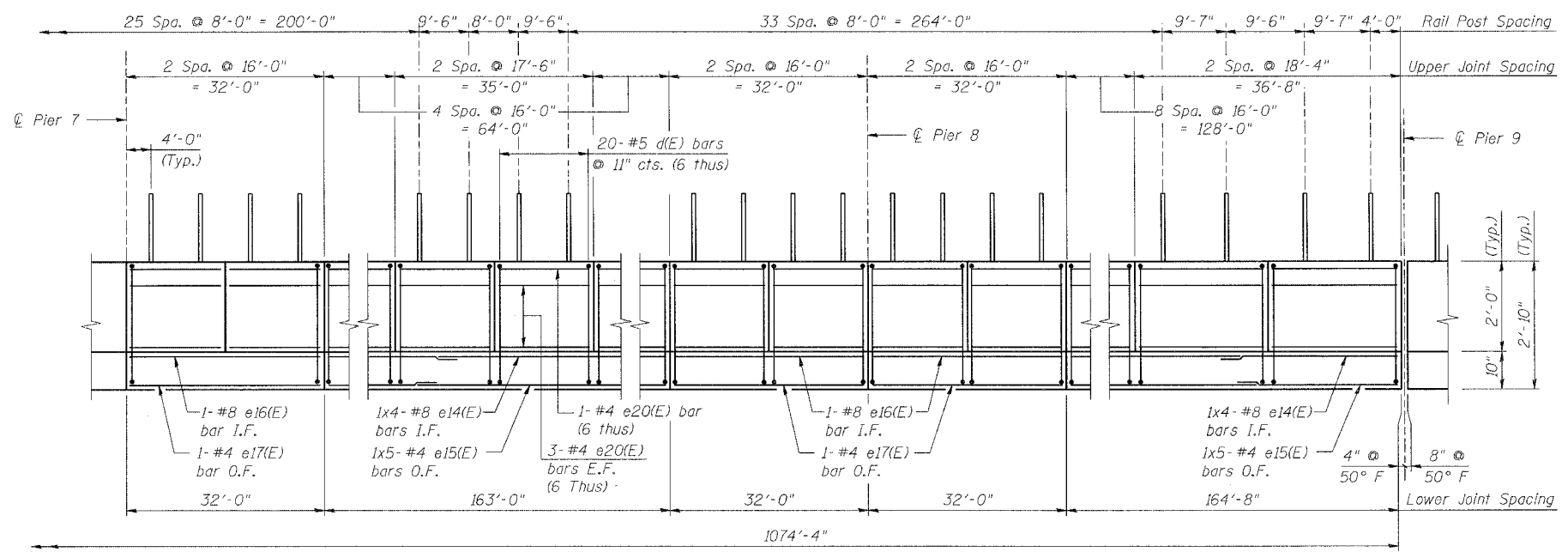


ROUTE No.	SECTION	COUNTY	TOTAL SHEETS	SHEET NO.
F.A.P. 827	12Z-3, 12BR	WABASH, IL GIBSON, IN	158	48
STA.	TO STA.			
F.H.W.A. REGION	ILLINOIS	PROJECT		

BRIDGE SHEET S32 OF S114 CONTRACT 94450



INSIDE ELEVATION OF PARAPET - UNIT 2
(North Parapet Looking North, South Parapet Similar)



INSIDE ELEVATION OF PARAPET - UNIT 2
(North Parapet Looking North, South Parapet Similar)

- NOTES:**
1. For bar list and bill of materials, See Sheet S36.
 2. For parapet railing details, See Sheet S45.
 3. Bars indicated thus: 1x4-#5 ect., indicates 1 line of bars with 4 lengths per line.
 4. Use the following minimum lap lengths unless otherwise noted:
#5 - 2'-2"
#8 - 4'-6"
 5. I.F. denotes Inside Face
O.F. denotes Outside Face
E.F. denotes Each Face
 6. For section through parapet, see Sheet S26.

DESIGNED	WJZ
CHECKED	ADD/KWS
DRAWN	RMG
CHECKED	ADD

benesch
alfred benesch & company
Engineers - Surveyors - Planners
205 North Michigan Avenue, Suite 2400
Chicago, Illinois 60601
312-565-0450
Job No. 3426

ILLINOIS DEPARTMENT OF TRANSPORTATION
IL ROUTE 15/IN ROUTE 64
OVER WABASH RIVER PUBLIC WATERS
FAP 827 SECT 12Z-3, 12BR
**PARAPET ELEVATION AND
RAIL POST SPACING - UNIT 2**

SN: 093-0021 (IL)/9502700 (IN) STA. 1036+27
WABASH CO., IL. DATE: JUNE 15, 2007

m:\proj\3426\stage_2\structures\design\super\sped1002.dgn 10:05 PM 6/26/2007