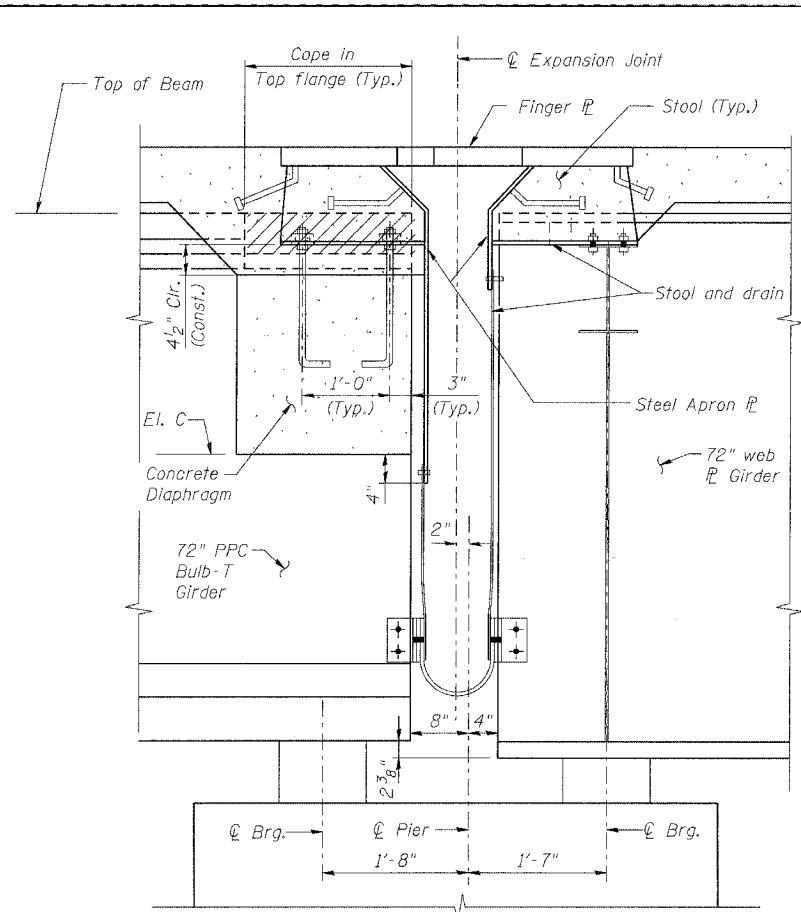
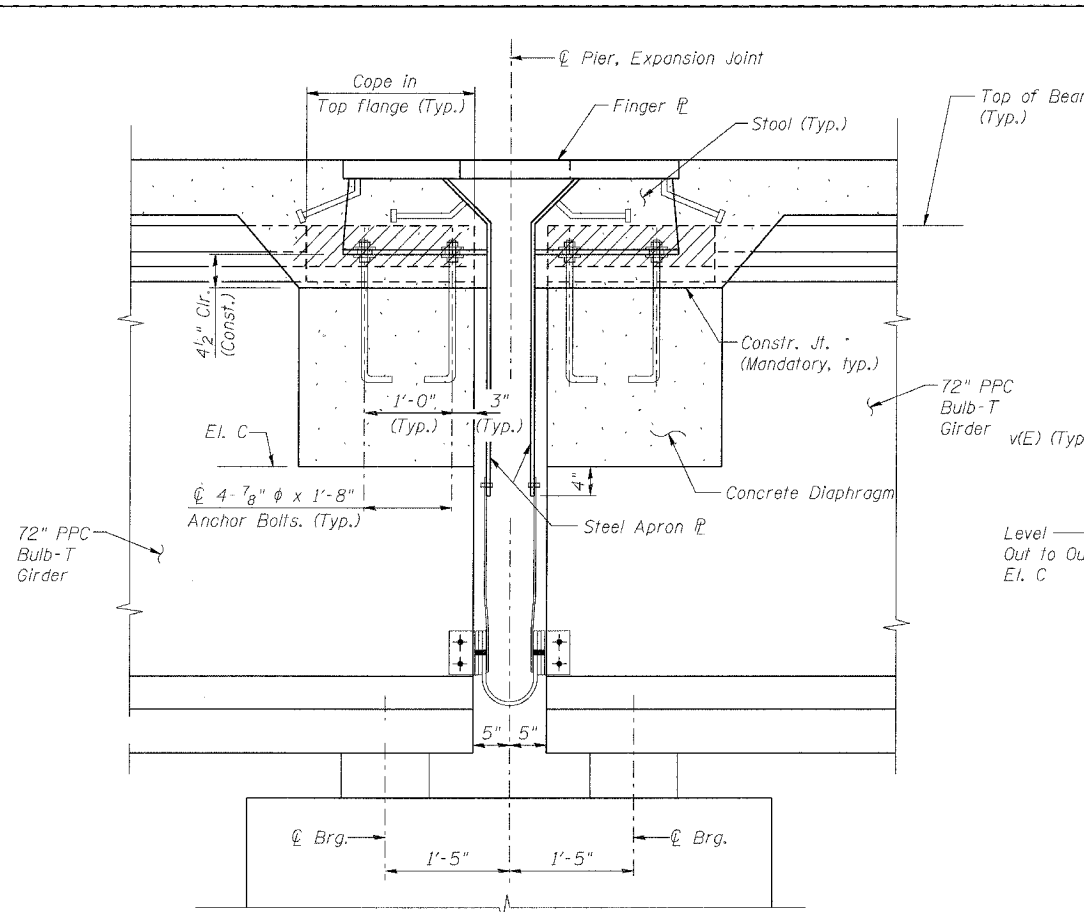


ROUTE No.	SECTION	COUNTY	TOTAL SHEETS	SHEET NO.
F.A.P. 827	12Z-3, 12BR	WABASH, IL GIBSON, IN	158	64
STA.		TO STA.		
F.H.W.A. REGION		ILLINOIS	PROJECT	

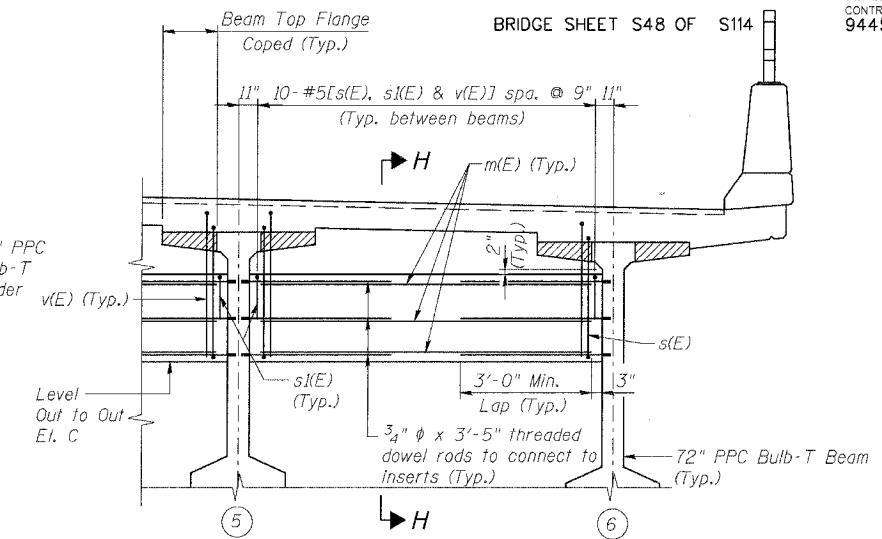
BRIDGE SHEET S48 OF S114 CONTRACT NO. 94450



SECTION THRU EXPANSION JOINT
(Piers 4 shown, Pier 9 opposite hand)



SECTION THRU EXPANSION JOINT
(Pier 13)



TYPICAL END DIAPHRAGM ELEVATION
(Showing Reinforcement)

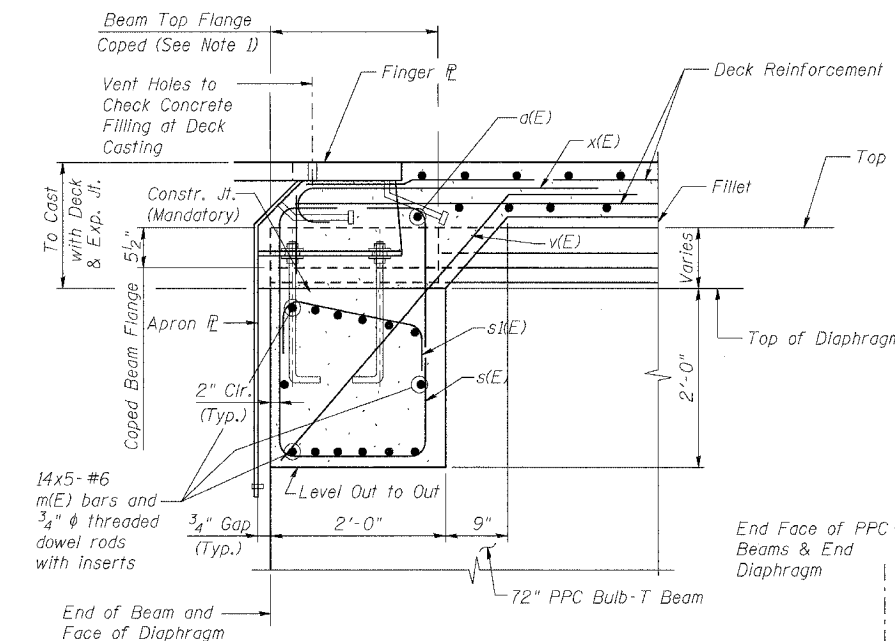
BILL OF MATERIAL

(For 6 Lines of 5 Diaphragms per Line including W. and E. Abut. Diaphragms)

Bar	No.	Size	Length	Shape
m(E)	420	#6	7'-9"	—
s(E)	300	#5	8'-6"	□
s(E)	300	#5	2'-10"	┌
v(E)	300	#5	6'-0"	└
Pay Item		Unit	Total	
Concrete Superstructure		Cu. Yd.	48.6	
Reinf. Bars, Epoxy Coated		Pound	10,320	

ELEVATION "C"

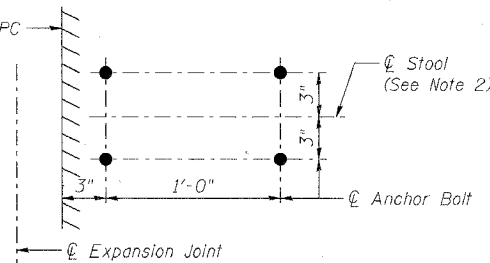
PIER	4	9	13-Unit3	13-Unit4	E. ABUT.
ELEV. C	420.15	418.35	415.92	415.91	411.72



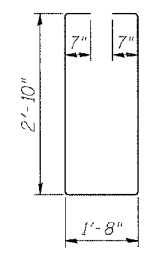
SECTION H-H
(Showing Reinforcement)

7/8 φ ANCHOR BOLT DETAIL

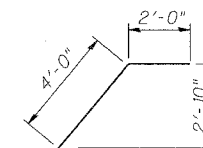
Material: ASTM F1554, Gr. 55
Cost included with Furnishing and Erecting Structural Steel.



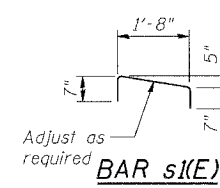
ANCHOR BOLT LOCATION SCHEME



BAR s(E)



BAR v(E)



Adjust as required
BAR s(E)

benesch

alfred benesch & company
Engineers - Surveyors - Planners
205 North Michigan Avenue, Suite 2400
Chicago, Illinois 60601
312-565-0450
Job No. 3425

NOTES:

1. See sheets S57 & S58 for PPC Bulb-T Beam Details.
2. See sheets S39 thru S44 for finger plate expansion joint details and stool locations.
3. See sheets S23 thru S29 for Deck Reinforcement Details.
4. See sheet S43 for Section thru East Abutment Expansion Joint.
5. Cost of threaded dowel rod included with PPC beams.

ILLINOIS DEPARTMENT OF TRANSPORTATION
IL ROUTE 15/IN ROUTE 64
OVER WABASH RIVER PUBLIC WATERS
FAP 827 SECT 12Z-3, 12BR

**END DIAPHRAGM DETAILS AT
PIERS 4, 9, 13 & EAST ABUTMENT**

SN: 093-0021 (IL)/9502700 (IN)
WABASH CO., IL.

STA. 1036+27
DATE: JUNE 15, 2007

m:\proj\3426\stage_2\structures\design\super\sdfat003.dgn

10:43 PM

6/26/2007