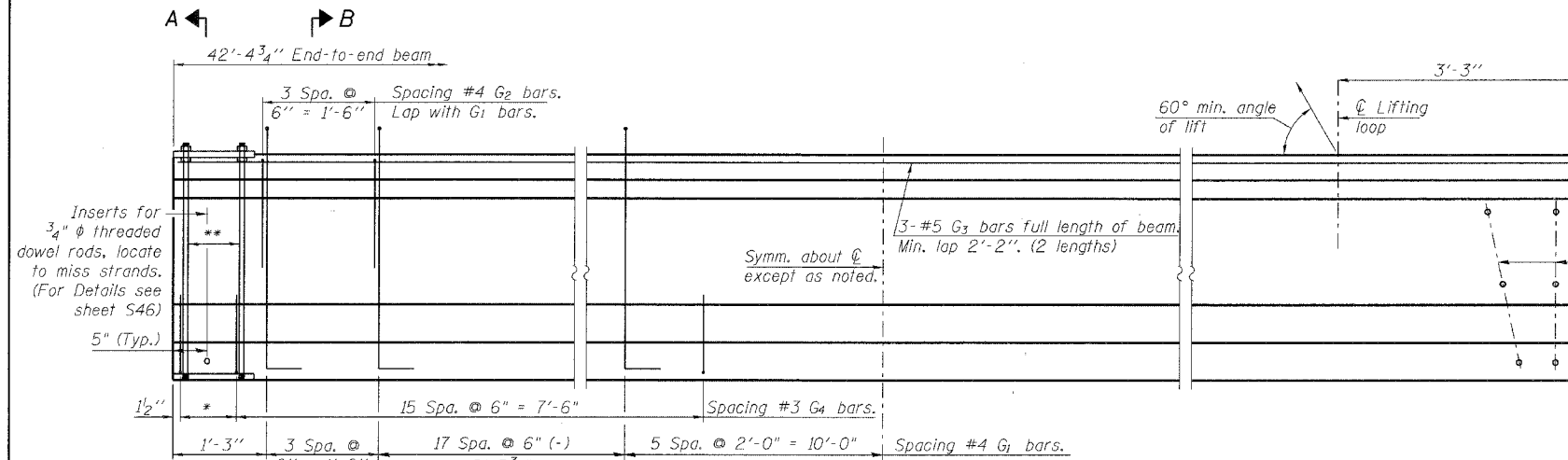


ROUTE No.	SECTION	COUNTY	TOTAL SHEETS	SHEET NO.
F.A.P. 827	12Z-3, 12BR	WABASH, IL GIBSON, IN	158	71
STA.		TO STA.		
F.H.W.A. REGION		ILLINOIS	PROJECT	

BRIDGE SHEET S55 OF S114

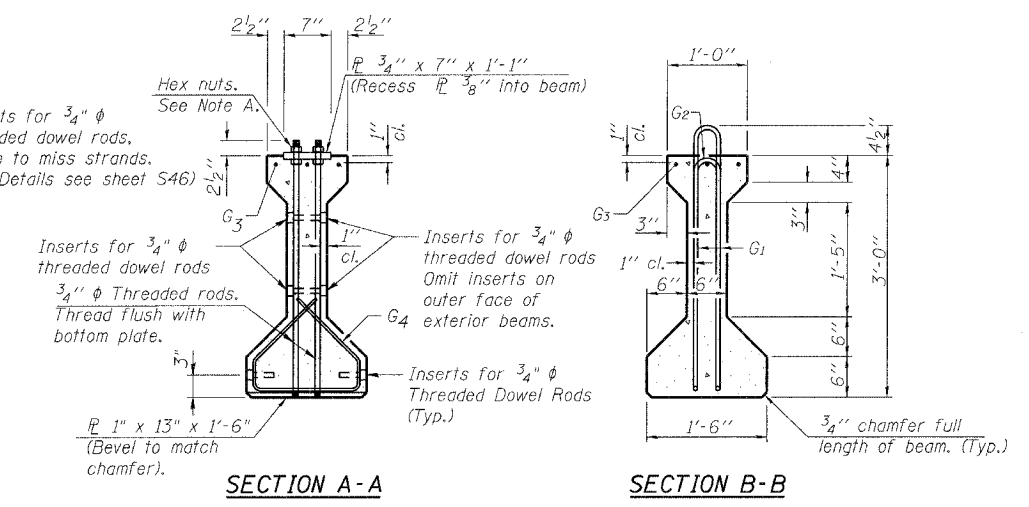
CONTRACT
94450



ELEVATION OF BEAM
(Showing reinforcement & dimensions)

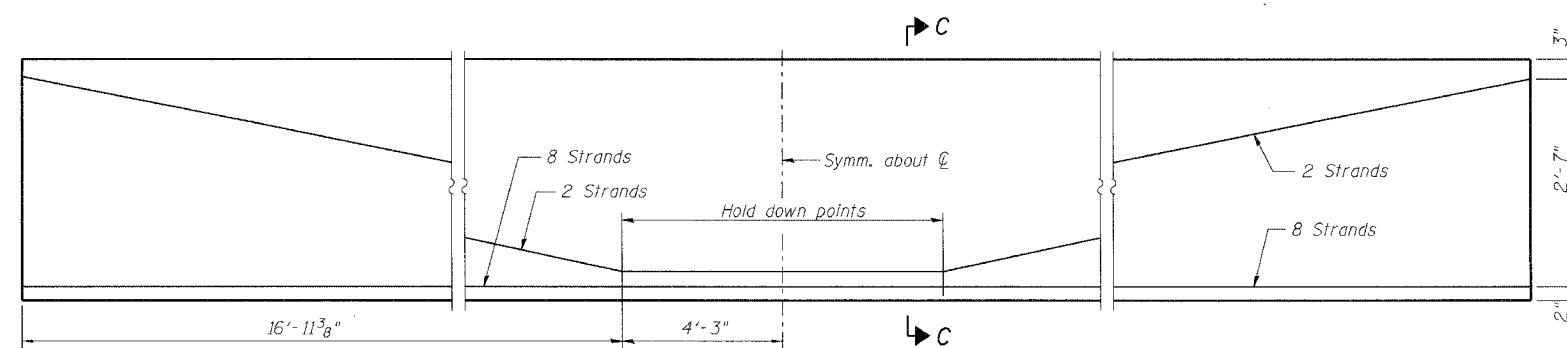
* 3 Spa. at 3" = 9".
** 4-3/4" φ threaded dowel rods at 3" cts., each face.

Note A:
Hex nuts (top and bottom) with lock washers (top). Only tighten sufficiently to compress lock washers.

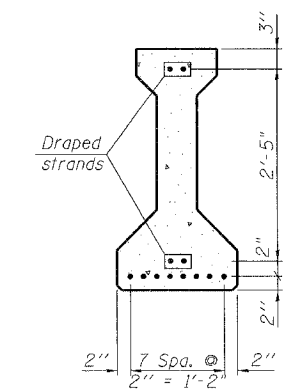


SECTION A-A

SECTION B-B



ELEVATION OF BEAM
(Showing prestressing steel)



SECTION C-C

BAR LIST
ONE BEAM ONLY

Bar	No.	Size	Length	Shape
G ₁	51	#4	7'-5"	∩
G ₂	8	#4	3'-10"	∩
G ₃	6	#5	22'-3"	—
G ₄	38	#3	4'-1"	⌒

- NOTES:**
- See sheet S56 for additional details and Bill of Material.
 - Required release strength, f'_{ci} , shall be 5,000psi.
 - Steel plates shall conform to AASHTO M270 Gr. 36.

ILLINOIS DEPARTMENT OF TRANSPORTATION
IL ROUTE 15/IN ROUTE 64
OVER WABASH RIVER PUBLIC WATERS
FAP 827 SECT 12Z-3, 12BR
36" PPC I-BEAM

benesch
alfred benesch & company
Engineers • Surveyors • Planners
205 North Michigan Avenue, Suite 2400
Chicago, Illinois 60601
312-585-0450
Job No. 3426

SN: 093-0021 (IL)/9502700 (IN) STA. 1036+27
WABASH CO., IL. DATE: JUNE 15, 2007

DESIGNED	KWS
CHECKED	MRB
DRAWN	VLM
CHECKED	KWS

m:\proj\3426\stage_2\structures\design\super\spbd\001.dgn 6/26/2007 1:00:56 PM