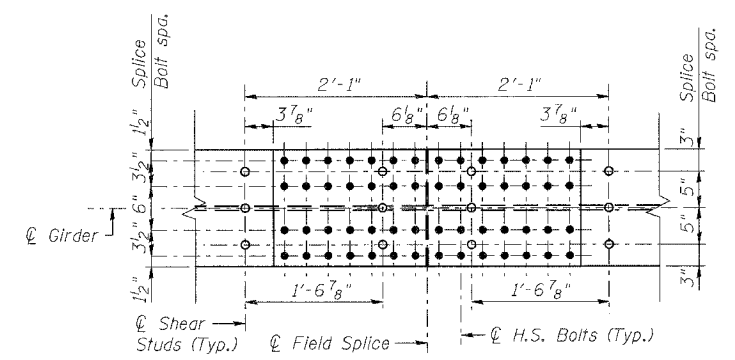
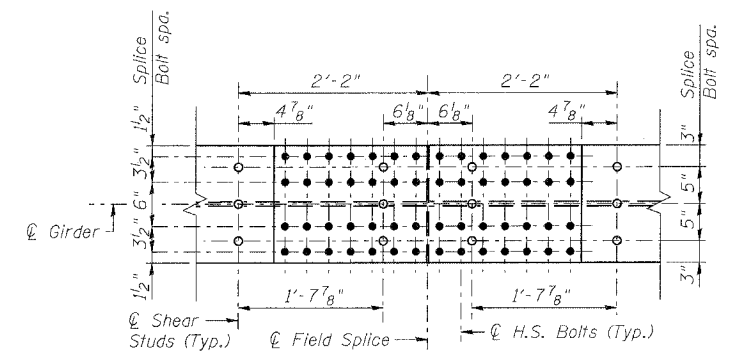
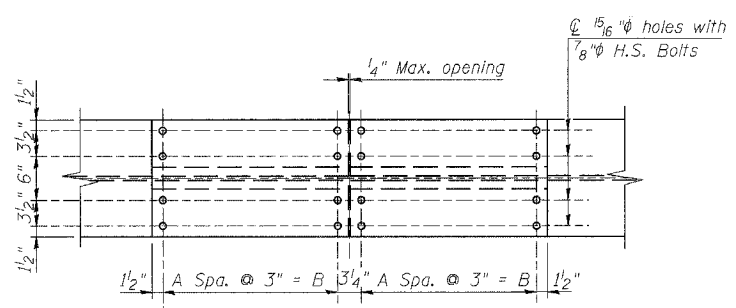
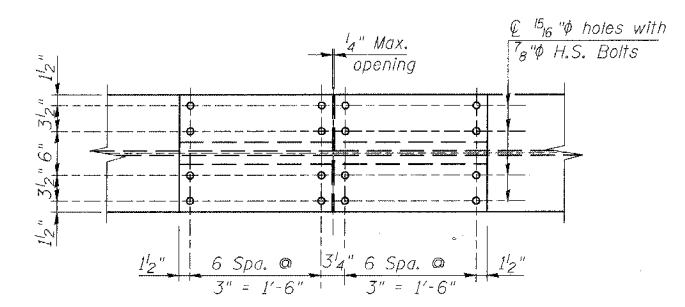
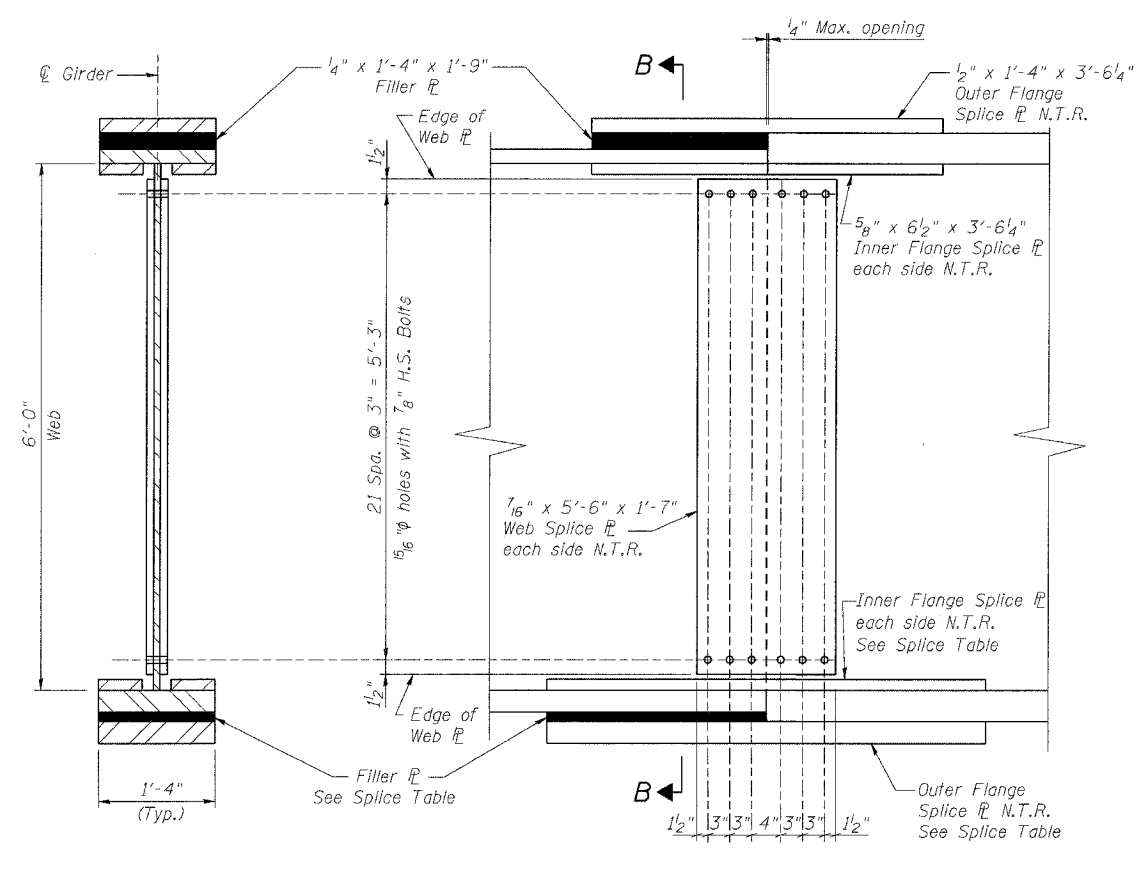


ROUTE No.	SECTION	COUNTY	TOTAL SHEETS	SHEET NO.
F.A.P. 827	12Z-3, 12BR	WABASH, IL GIBSON, IN	158	79
STA.		TO STA.		
F.H.W.A. REGION		ILLINOIS	PROJECT	

BRIDGE SHEET S63 OF S114 CONTRACT 94450



SPLICE TABLE

Splice Location	Bottom Flange					
	Outer Flange	Inner Flange	Filler	A	B	No. Bolts
Field Splice 1	5/8" x 1'-4" x 4'-0 1/4"	3/4" x 6 1/2" x 4'-0 1/4"	1/8" x 1'-4" x 2'-0"	7	1'-9"	64
Field Splice 2	1/2" x 1'-4" x 3'-6 1/4"	5/8" x 6 1/2" x 3'-6 1/4"	N/A	6	1'-6"	56
Field Splice 3	1/2" x 1'-4" x 3'-6 1/4"	5/8" x 6 1/2" x 3'-6 1/4"	N/A	6	1'-6"	56
Field Splice 4	5/8" x 1'-4" x 4'-6 1/4"	3/4" x 6 1/2" x 4'-6 1/4"	1/2" x 1'-4" x 2'-3"	8	2'-0"	72
Field Splice 5	5/8" x 1'-4" x 4'-6 1/4"	3/4" x 6 1/2" x 4'-6 1/4"	1/2" x 1'-4" x 2'-3"	8	2'-0"	72
Field Splice 6	1/2" x 1'-4" x 3'-6 1/4"	5/8" x 6 1/2" x 3'-6 1/4"	N/A	6	1'-6"	56
Field Splice 7	1/2" x 1'-4" x 3'-6 1/4"	5/8" x 6 1/2" x 3'-6 1/4"	N/A	6	1'-6"	56
Field Splice 8	5/8" x 1'-4" x 4'-0 1/4"	3/4" x 6 1/2" x 4'-0 1/4"	1/8" x 1'-4" x 2'-0"	7	1'-9"	64

NOTES:

- All web splice plates shall be AASHTO M 270 Grade 50W steel.
- All flange splice plates shall be AASHTO M 270 Grade 70W steel.
- Fill plates shall be Gr. 50W or structural grade material with equivalent corrosion protection such as ASTM A606 Type 4 or A87L.
- "N.T.R." denotes plates to which Notch Toughness Requirements are applicable.
- Work this sheet with sheets S50-S51, S59-S60.

ILLINOIS DEPARTMENT OF TRANSPORTATION
IL ROUTE 15/IN ROUTE 64
OVER WABASH RIVER PUBLIC WATERS
FAP 827 SECT 12Z-3, 12BR

**STEEL PLATE GIRDER
SPLICE DETAILS**

SN: 093-0021 (IL)/9502700 (IN) STA. 1036+27
WABASH CO., IL. DATE: JUNE 15, 2007

benesch

alfred benesch & company
Engineers • Surveyors • Planners
206 North Michigan Avenue, Suite 2400
Chicago, Illinois 60601
312-366-0450
Job No. 3426

DESIGNED	KWS
CHECKED	MRB
DRAWN	VH
CHECKED	KWS

m:\pro\3426\stage_2\structures\design\super\sgsd1002.dgn

10:10 PM

6/26/2007