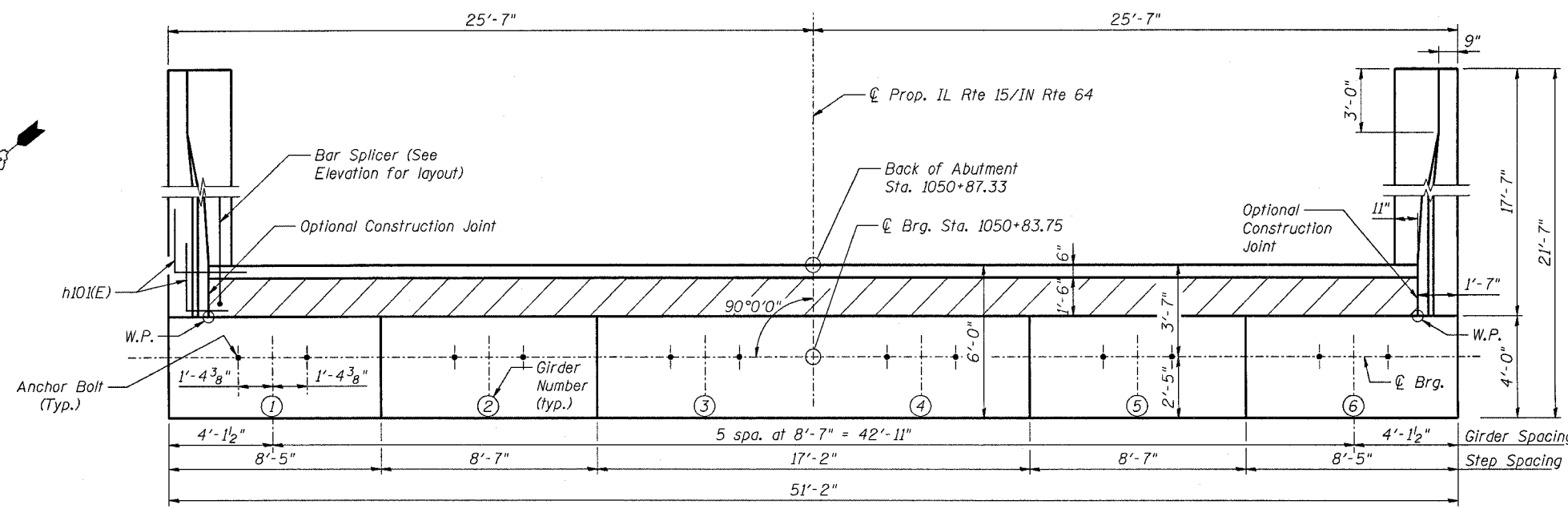
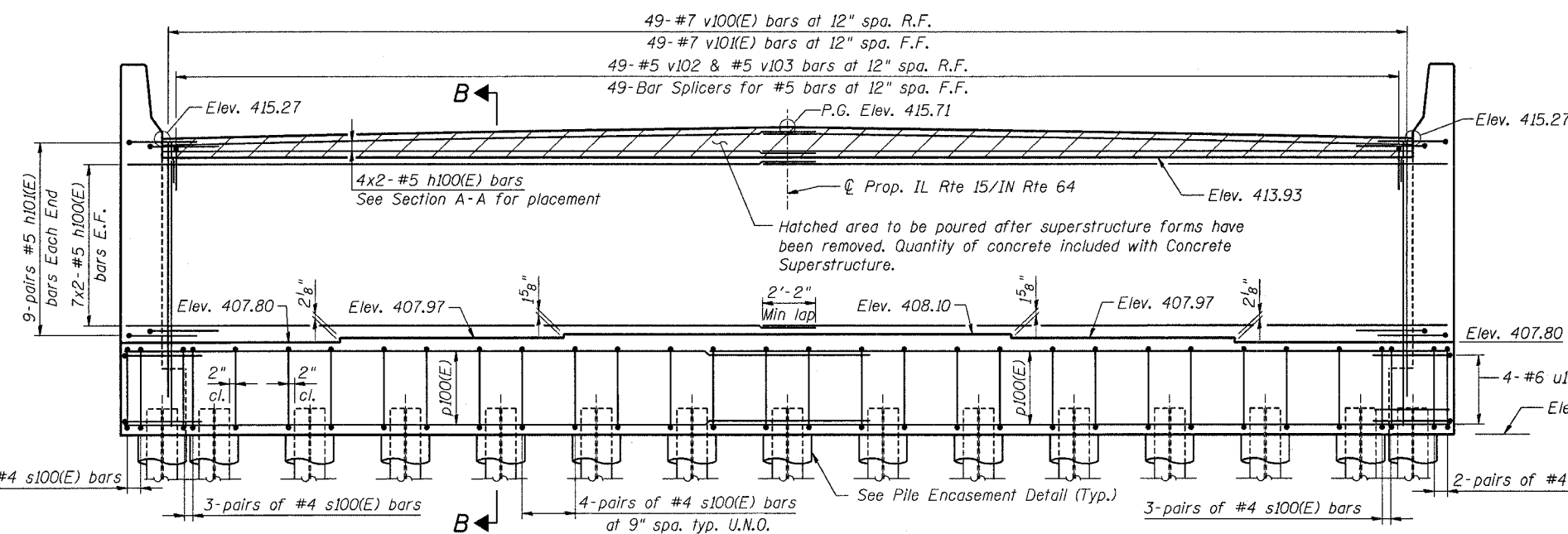


ROUTE No.	SECTION	COUNTY	TOTAL SHEETS	SHEET NO.
F.A.P. 827	12Z-3, 12BR	WABASH, IL GIBSON, IN	158	87
STA.	TO STA.			
F.H.W.A. REGION	ILLINOIS	PROJECT		

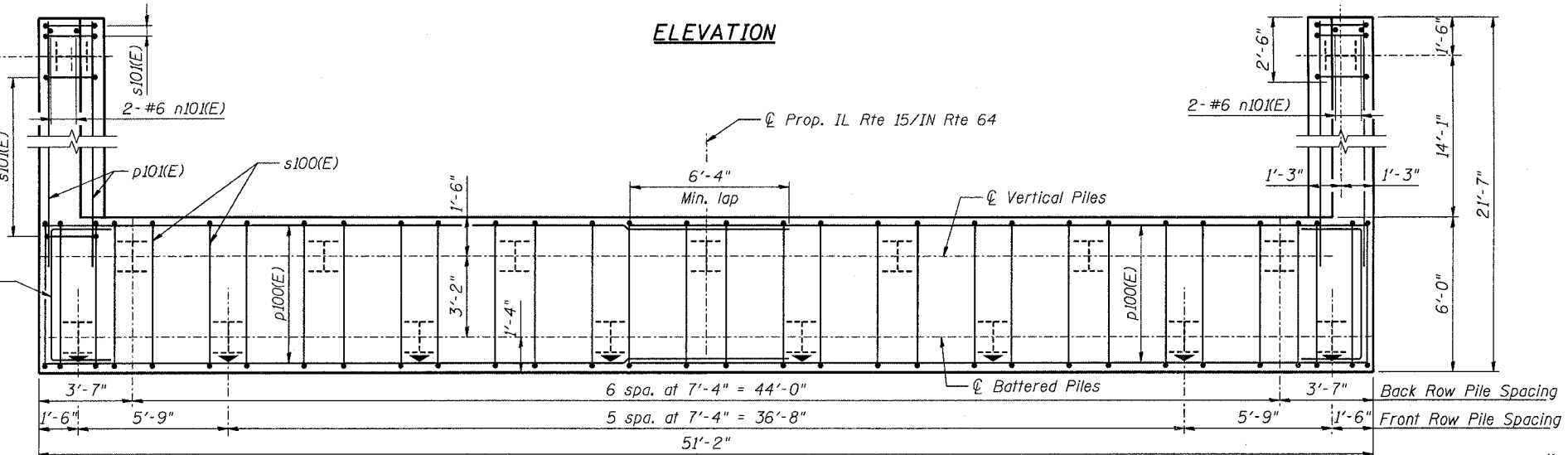
BRIDGE SHEET S71 OF S114 CONTRACT 94450



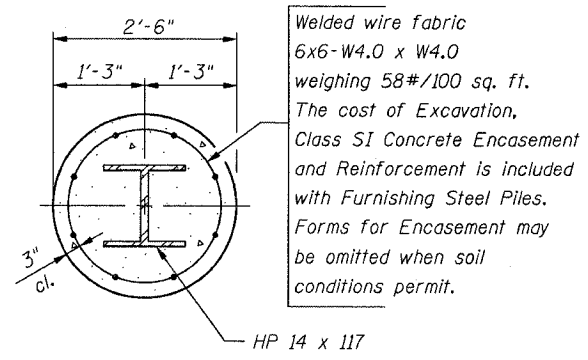
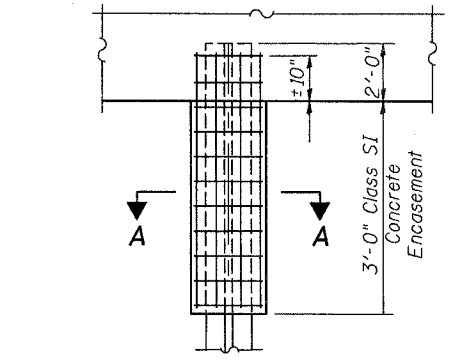
PLAN



ELEVATION



PLAN - PILE CAP



SECTION A-A

PILE ENCASEMENT DETAIL

E. ABUT. - PILE DATA

Type : HP14x117
 Nominal Req'd Brg.: 930 kips
 Allow. Resistance Available: 310 kips
 Est. Length : 120'-0"
 No. Production Piles: 16
 No. Test Piles: 1

NOTES:

1. Work this sheet with Sheet S72.
2. Reinforcement bars Designated (E) shall be epoxy coated.
3. Pour steps monolithically with Pile Bent.
4. E.F. denotes Each Face
 I.F. denotes Inside Face
 O.F. denotes Outside Face
 F.F. denotes Front Face
 R.F. denotes Rear Face
5. Space reinforcement in Pile Bent to miss anchor bolts.
6. For Bar Splicer Details, see Sheet S88.
7. Bars indicated thus: 4x2-#5 etc. indicates 4 lines of bars with 2 lengths per line.
8. ▼ Denotes 3" per 12" batter for front row of piles.

ILLINOIS DEPARTMENT OF TRANSPORTATION
 IL ROUTE 15/IN ROUTE 64
 OVER WABASH RIVER PUBLIC WATERS
 FAP 827 SECT 12Z-3, 12BR
 EAST ABUTMENT
 PLAN AND ELEVATION

SN: 093-0021 (IL)/9502700 (IN) STA. 1036+27
 WABASH CO., IL. DATE: JUNE 15, 2007

benesch
 Engineers - Surveyors - Planners
 205 North Michigan Avenue, Suite 2400
 Chicago, Illinois 60601
 312-565-0450
 Job No. 3428

DESIGNED	WJZ
CHECKED	YS
DRAWN	WJZ
CHECKED	YS

m:\proj\3426\stage_2\structures\design\sub\sabdt003.dgn

4:43:16 PM

10/10/2007