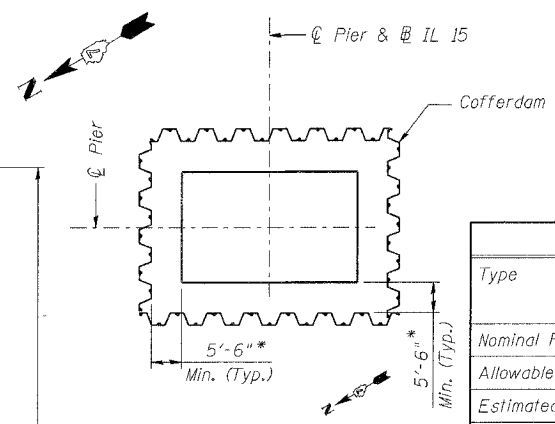


ROUTE No.	SECTION	COUNTY	TOTAL SHEETS	SHEET NO.
F.A.P. 827	12Z-3, 12BR	WABASH, IL GIBSON, IN	158	94
STA.		TO STA.		
F.H.W.A. REGION		ILLINOIS	PROJECT	

BRIDGE SHEET S78 OF S114 CONTRACT 94450

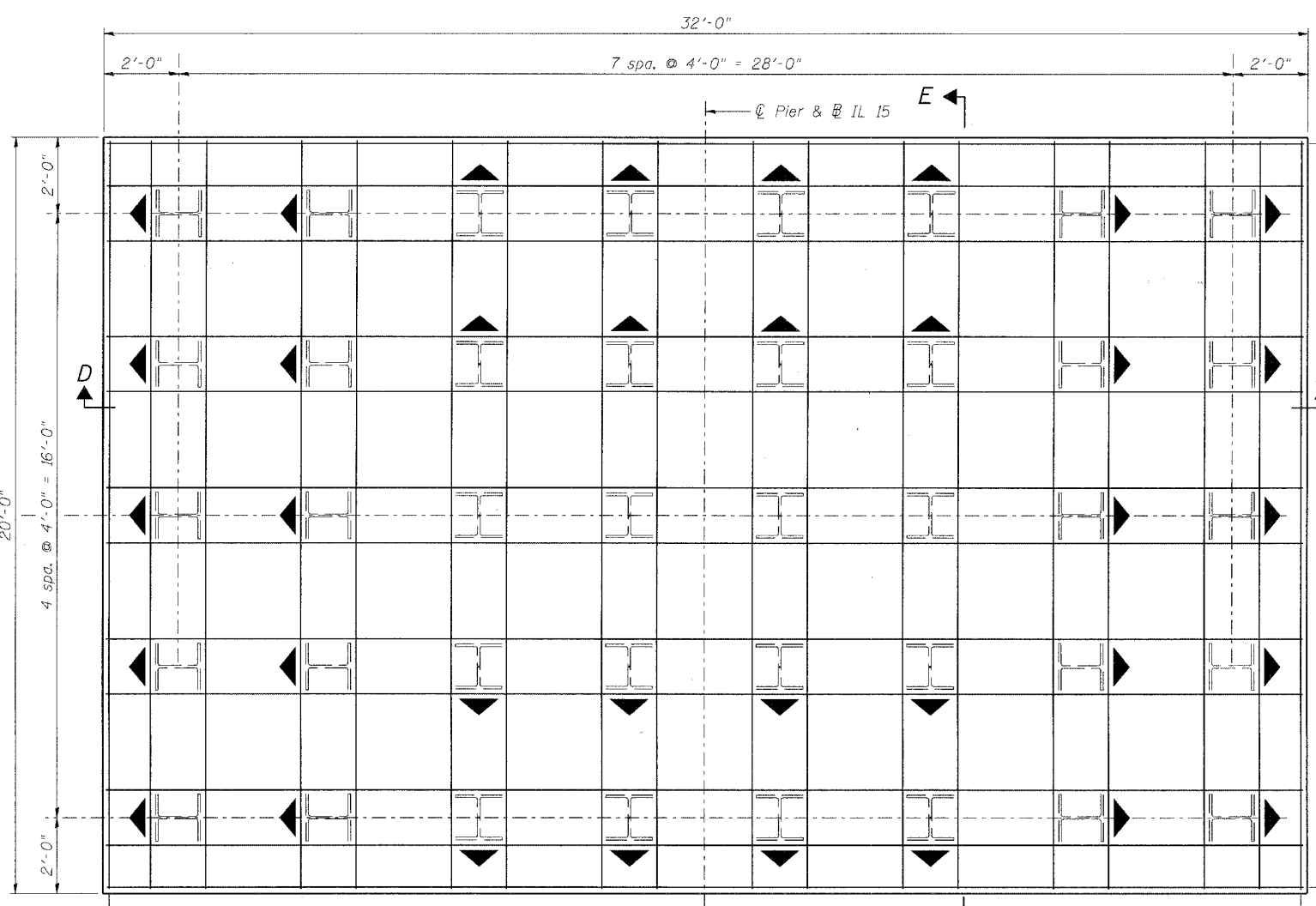
**PILE DATA**

	Pier 6	Pier 7	Pier 8
Type	HP 14x117 w/ pile shoes	HP 14x117 w/ pile shoes	HP 14x117 w/ pile shoes
Nominal Required Bearing	930 kips	930 kips	930 kips
Allowable Resistance Available	310 kips	310 kips	310 kips
Estimated Vertical Length	79 ft	83 ft	92 ft
No. Production Piles	39	40	39
No. Test Piles	1	0	1
Negative Skin Friction Allowance	-	-	-
Minimum Pile Tip Elevation	282.7	280.9	273.4



**PLAN-COFFERDAM LAYOUT**

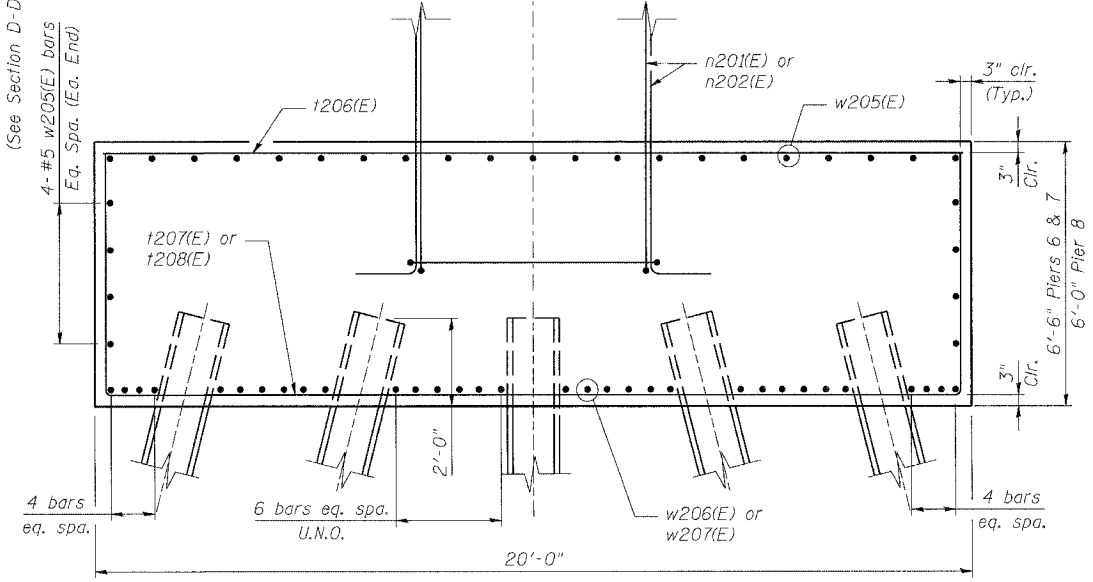
\* See Special Provision: "Piers 6-9 Foundation Construction"



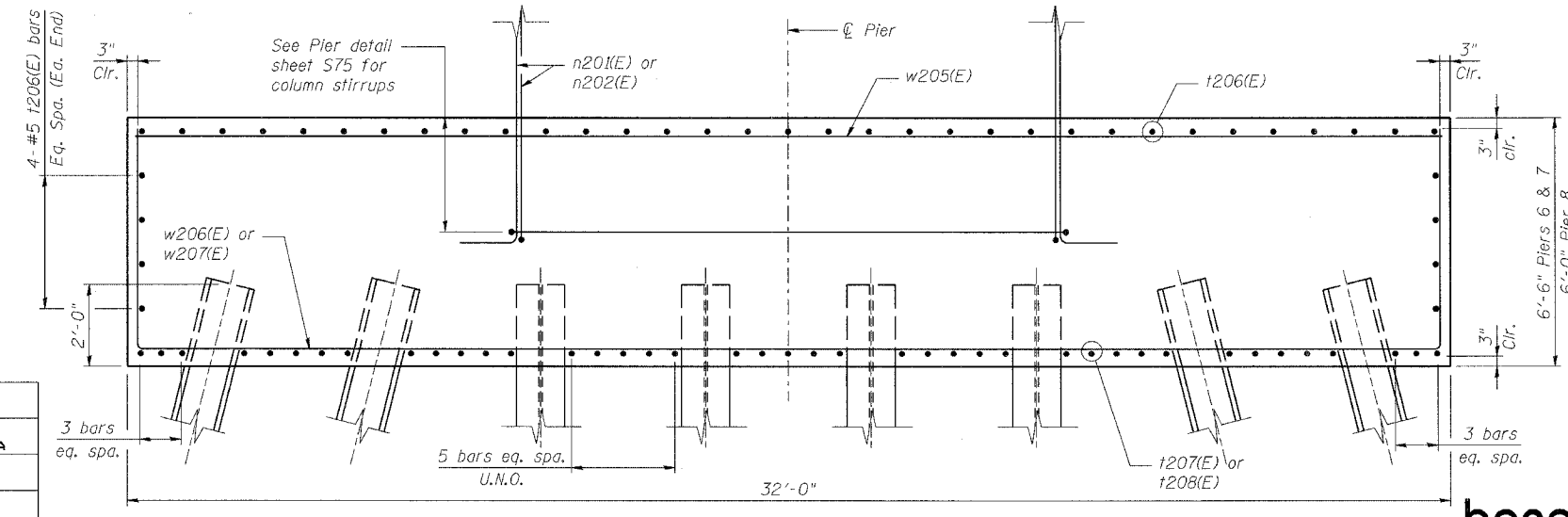
33- #5 t206(E) bars @ 12" cts. (Top)  
41- #11 t207(E) bars (Bot.) (Piers 6 & 7)  
41- #11 t208(E) bars (Bot.) (Pier 8)  
(See Section D-D for spa.)

**FOOTING PLAN**

21- #5 w205(E) bars @ 12" cts. (Top)  
32- #11 w206(E) bars (Bot.) (Piers 6 & 7)  
32- #11 w207(E) bars (Bot.) (Pier 8)  
(See Section D-D for spa.)



**SECTION E-E**



**SECTION D-D**

**NOTES:**

1. Denotes battered pile (3H : 12V)
2. Maximum nominal required bearing may be met prior to reaching bedrock. Pre-boring, vibration, jetting or other methods may need to be employed to advance piles to bedrock.
3. For Pier Plan and Elevations, See sheets S73-S75.
4. For Reinforcement Bar Bending Details, See sheet S80.
5. For Bill of Materials, See Sheets S81-S85.

ILLINOIS DEPARTMENT OF TRANSPORTATION  
IL ROUTE 15/IN ROUTE 64  
OVER WABASH RIVER PUBLIC WATERS  
FAP 827 SECT 12Z-3, 12BR

**PIERS 6, 7, & 8  
FOOTING DETAILS**

SN: 093-0021 (IL)/9502700 (IN) STA. 1036+27  
WABASH CO., IL. DATE: JUNE 15, 2007

**benesch**

alfred benesch & company  
Engineers - Surveyors - Planners  
205 North Michigan Avenue, Suite 2400  
Chicago, Illinois 60601  
312-566-0450  
Job No. 3426

m:\proj\3426\stage\_2\structures\design\sub\spid\1006.dgn

1:01:46 PM

6/26/2007

DESIGNED	CDF
CHECKED	YS/HMA
DRAWN	RMG
CHECKED	CDF