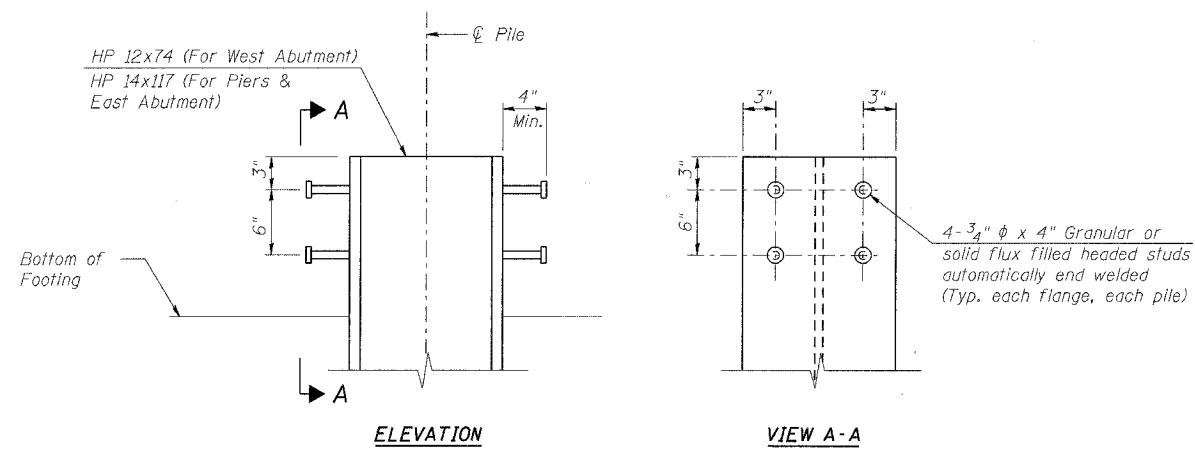


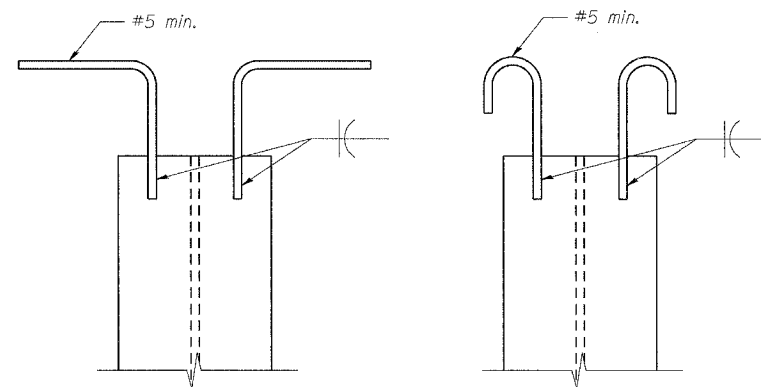
ROUTE No.	SECTION	COUNTY	TOTAL SHEETS	SHEET NO.
F.A.P. 827	12Z-3, 12BR	WABASH, IL GIBSON, IN	158	102
STA.		TO STA.		
F.H.W.A. REGION		ILLINOIS	PROJECT	

BRIDGE SHEET S86 OF S114

CONTRACT  
94450



OPTION A



OPTION B

OPTION C

**NOTES:**

- Anchor Details shown are minimum requirements for Seismic conditions to develop 10% of the Pile capacity. (0.1 x  $A_p$  x 50 ksi) per AASHTO Div. 1A Article 6.4.2(C).
- Stud weld connection to piles shall be in conformance with IDOT Standard Specifications, Art. 505.08, (m).
- Cost of studs and/or reinforcing bar, including welding to piles shall be included with the cost of Furnishing Steel Piles of the size required.
- Pile anchors to be provided for all piles, including those in abutment wingwalls.

m:\proj\3426\stage\_2\structures\design\sub\spid1001.dgn

1:02:02 PM

6/26/2007

DESIGNED	YS
CHECKED	CDF
DRAWN	RMG
CHECKED	YS

**benesch**

alfred benesch & company  
Engineers • Surveyors • Planners  
205 North Michigan Avenue, Suite 2400  
Chicago, Illinois 60601  
312-566-0450  
Job No. 3426

ILLINOIS DEPARTMENT OF TRANSPORTATION  
IL ROUTE 15/IN ROUTE 64  
OVER WABASH RIVER PUBLIC WATERS  
FAP 827 SECT 12Z-3, 12BR  
**PILE ANCHOR DETAILS**

SN: 093-0021 (IL)/9502700 (IN)  
WABASH CO., IL.

STA. 1036+27  
DATE: JUNE 15, 2007