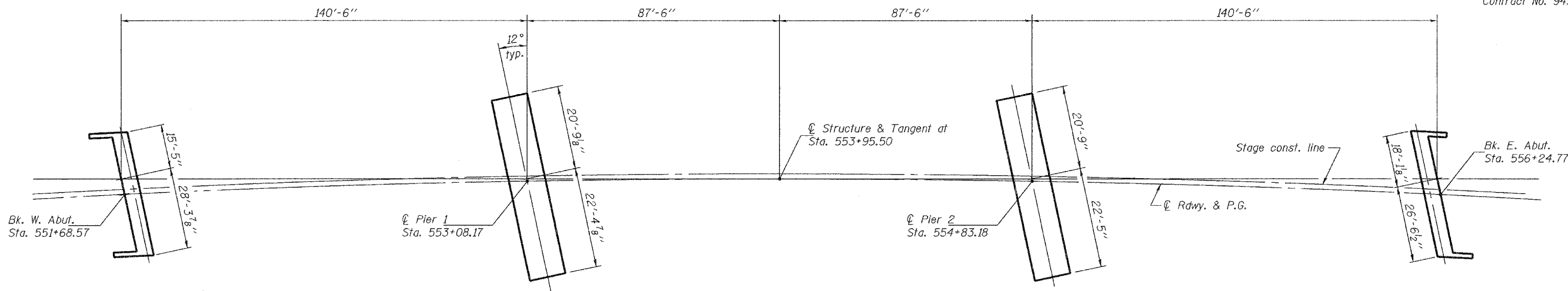


STATE OF ILLINOIS
DEPARTMENT OF TRANSPORTATION

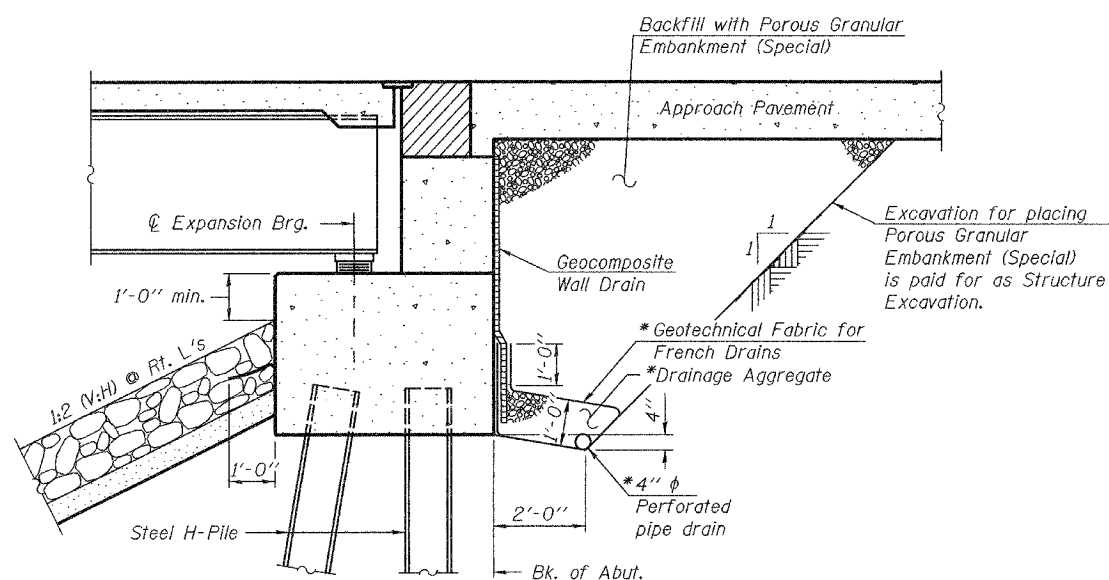
ROUTE NO.	SECTION	COUNTY	SHEETS	SHEET NO.
FAP 327	(51-23) B-3	LAWRENCE	56	20
FED. ROAD DIST. NO. 7	ILLINOIS	FED. AID PROJECT		

SHEET NO. 3
29 SHEETS

Contract No. 94967



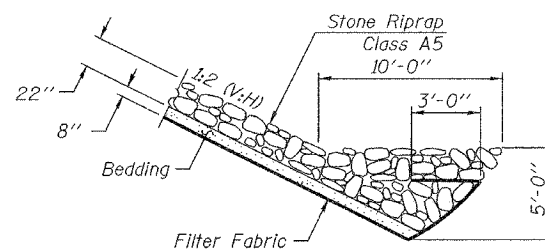
FOOTING LAYOUT



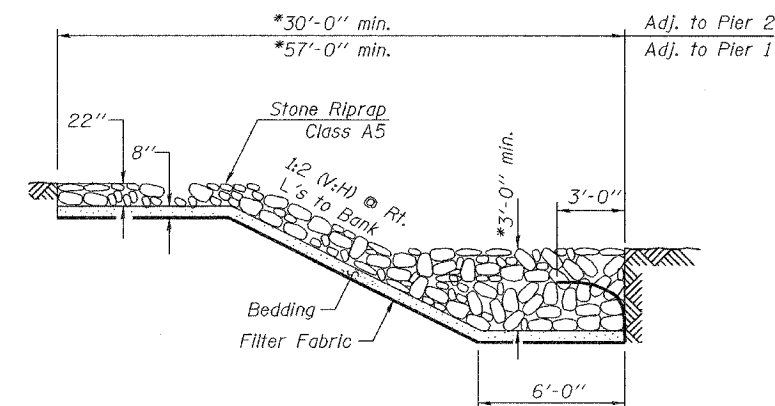
SECTION THRU PILE BENT ABUTMENT
(Horiz. dim. @ Rt. L's)

*Included in the cost of Pipe Underdrains for Structures, 4".

Note: All drainage system components shall extend parallel to the abutment back wall until they intersect the wingwalls. The pipe shall extend under the wingwall, if necessary, until intersecting the side slopes. The pipes shall drain into concrete headwalls. (See Article 601.05 of the Standard Specifications and Highway Standard 601101).

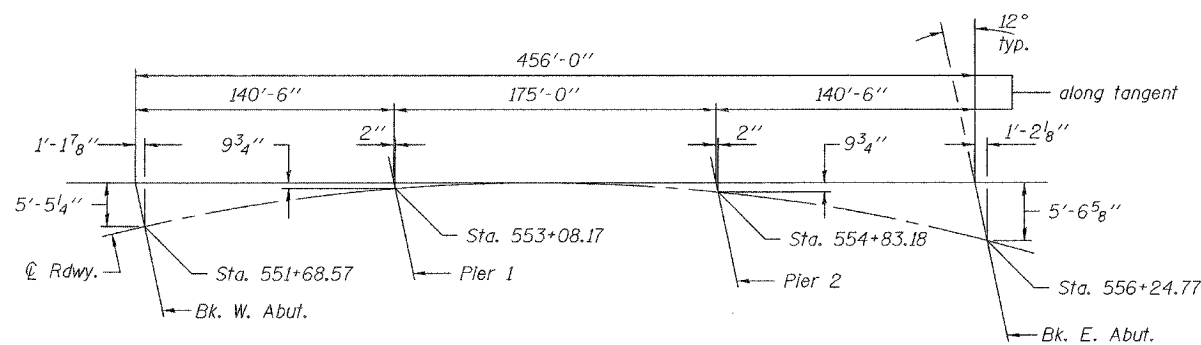


SECTION A-A



SECTION B-B

*Resident Engineer shall review field conditions and revise riprap layout as needed in the field.



OFFSET SKETCH

(Tangent to C.Rdwy. at Station 553+95.50)

DESIGNED	Chad E. Hodel
CHECKED	Mark D. Shaffer
DRAWN	h.t. duong
CHECKED	CEH/MDS

Oct. 2, 2007
EXAMINED *Thomas Damagalki*
PASSED *Ralph E. Anderson*
ENGINEER OF BRIDGES AND STRUCTURES

**FOOTING LAYOUT &
GENERAL DATA**
F.A.P. RT. 327 - SEC. (51-23)B-3
LAWRENCE COUNTY
STATION 553+95.50
STRUCTURE NO. 051-0063