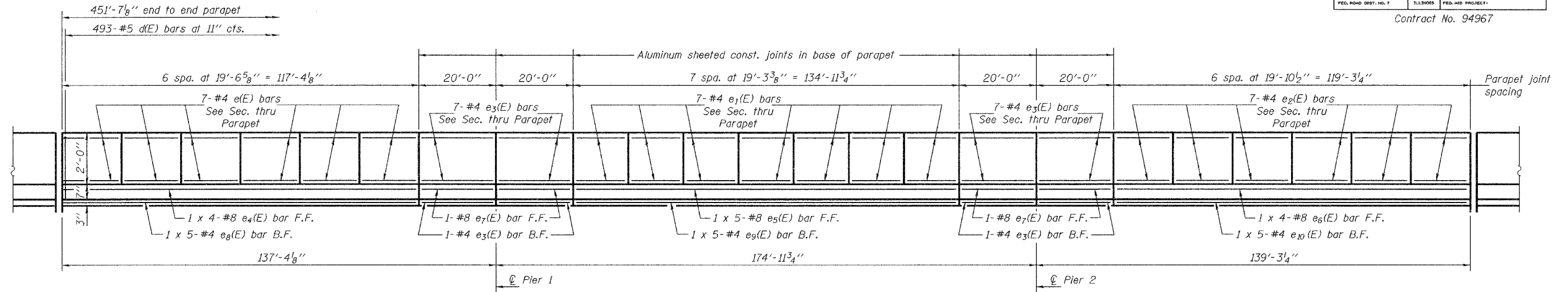


STATE OF ILLINOIS  
DEPARTMENT OF TRANSPORTATION

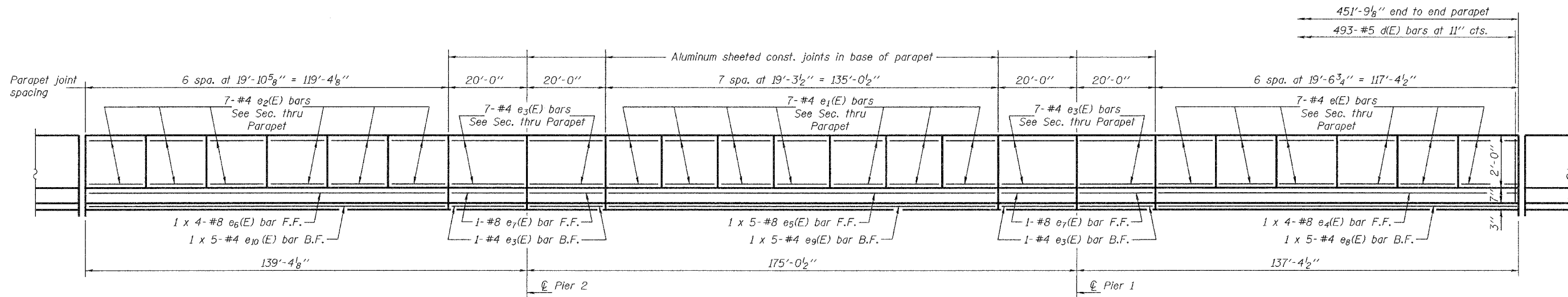
ROUTE NO.	SECTION	COUNTY	TOTAL SHEETS	SHEET NO.
FAP 327	(51-23) B-3	LAWRENCE	56	30
FED. ROAD DIST. NO. 7	ILLINOIS		FED. AID PROJECT-	

SHEET NO. 13  
29 SHEETS

Contract No. 94967



**INSIDE ELEVATION OF NORTH PARAPET**  
(Looking North)



**INSIDE ELEVATION OF SOUTH PARAPET**  
(Looking South)

**PARAPET**  
**MIN. BAR LAPS**  
#4 bar = 1'-4"  
#8 bar = 3'-5"

DESIGNED	Chad E. Hodel
CHECKED	Mark D. Shaffer
DRAWN	h.t. duong
CHECKED	CEH/MDS

EXAMINED	Thomas J. Donagabbi SUPERVISOR OF BRIDGE DESIGN
PASSED	Ralph E. Anderson ENGINEER OF BRIDGES AND STRUCTURES

Oct 2, 2007

**SUPERSTRUCTURE DETAILS**  
**F.A.P. RT. 327 - SEC. (51-23)B-3**  
**LAWRENCE COUNTY**  
**STATION 553+95.50**  
**STRUCTURE NO. 051-0063**