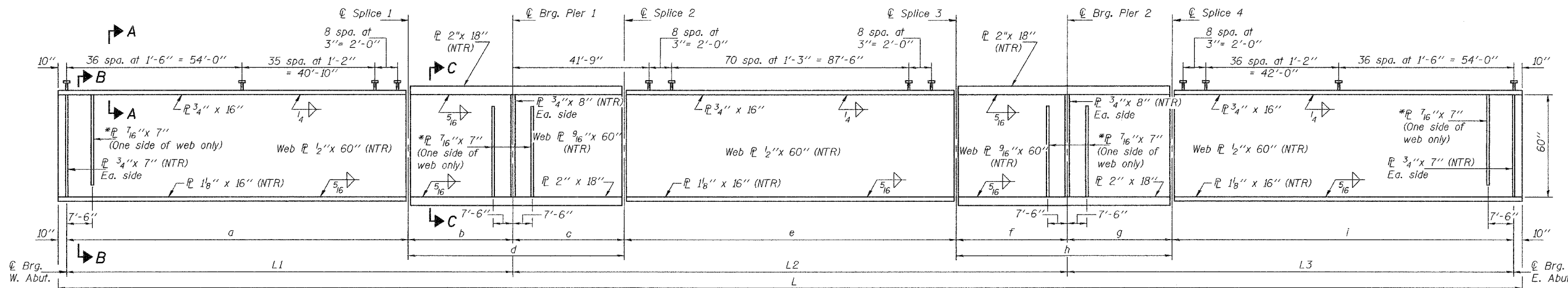
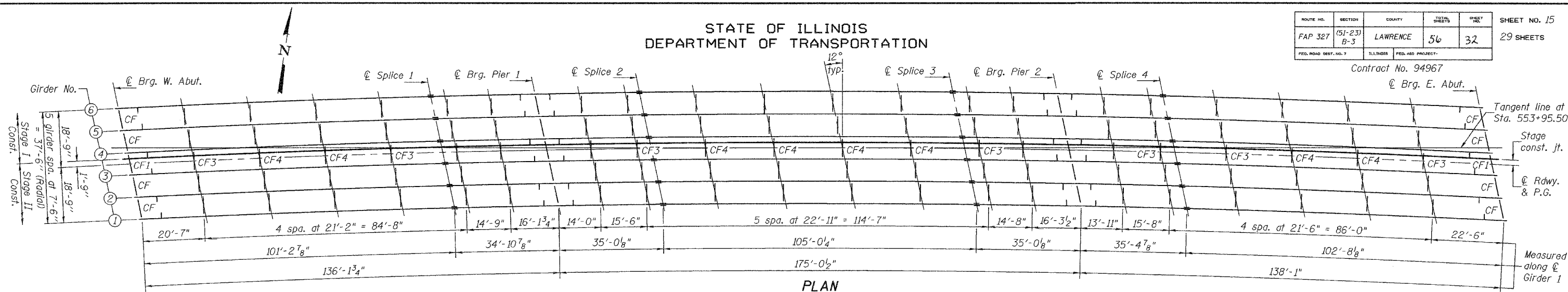


STATE OF ILLINOIS
DEPARTMENT OF TRANSPORTATION

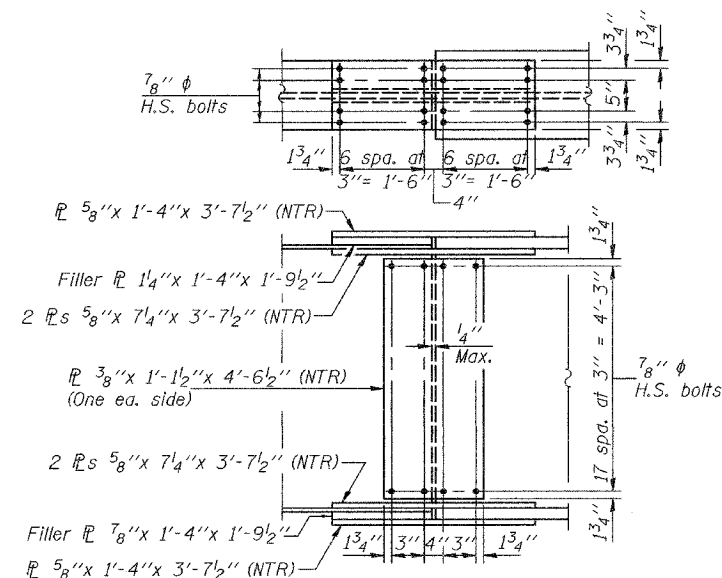
ROUTE NO.	SECTION	COUNTY	STATION	SHEET	SHEET NO. 15 29 SHEETS
FAP 327	(51-23) B-3	LAWRENCE	56	32	
FED. ROAD DIST. NO. 7	ILLINOIS	FED. AID PROJECT-			

Contract No. 94967

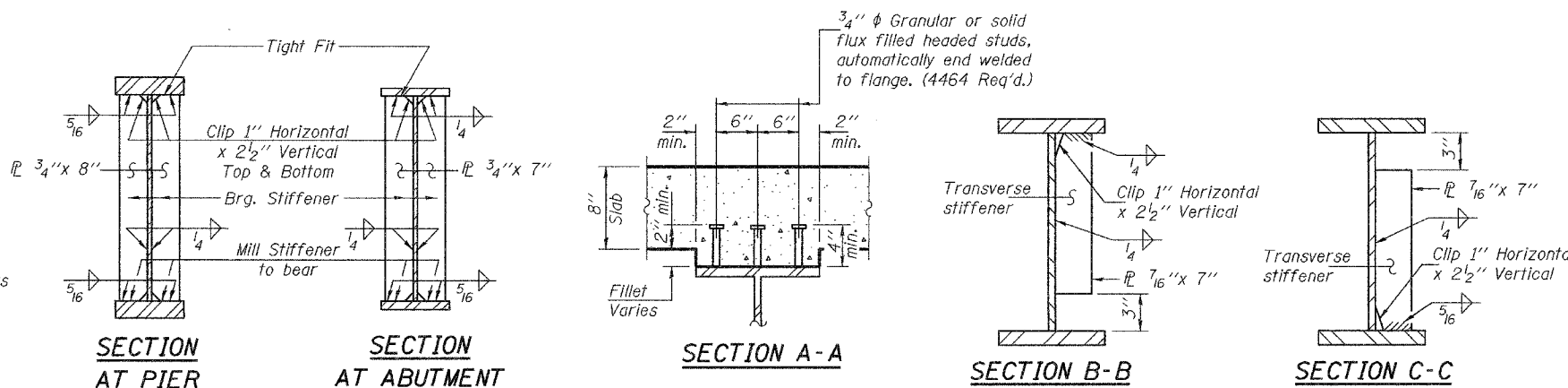


GIRDER ELEVATION

*Transverse stiffeners shall be placed on the interior side of the web of Girders 1 & 6.



FIELD SPLICE DETAILS



Notes: All interior cross frames shall be designated CF2 unless noted otherwise.

All interior cross frames shall be oriented radial to the girders except at the supports. All skew lines are 12° right forward relative to the local tangent and intersect the radial cross frames at midbay.

All plates of the girders, including bearing and transverse stiffeners and splice plates including fill plates, shall be AASHTO M 270, Grade 50.

Work this sheet with sheets 16 & 17 of 29.

All cross frames or diaphragms between beams or girders shall be installed with erection pins and bolts in accordance with the erection plan approved by the Engineer. Individual cross frames or diaphragms at supports may be temporarily disconnected to install bearing anchor rods.

Load carrying components designated "NTR" shall conform to the Supplemental Requirements for Notch Toughness, Zone 2.

TABLE OF GIRDER DIMENSIONS

Location	Radius	L	L1	L2	L3	a	b	c	d	e	f	g	h	i
Girder 1	4711.90	450'-11 1/4"	136'-1 3/4"	175'-0 1/2"	138'-1"	101'-2 7/8"	34'-10 7/8"	35'-0 1/8"	69'-11"	105'-0 1/4"	35'-0 1/8"	35'-4 7/8"	70'-5"	102'-8 1/8"
Girder 2	4719.40	450'-11"	136'-1 3/4"	175'-0 3/8"	138'-0 7/8"	101'-2 7/8"	34'-10 7/8"	35'-0"	69'-10 1/8"	105'-0 1/4"	35'-0 1/8"	35'-4 7/8"	70'-5"	102'-8"
Girder 3	4726.90	450'-10 3/8"	136'-1 1/2"	175'-0 1/4"	138'-0 5/8"	101'-2 3/4"	34'-10 3/4"	35'-0"	69'-10 3/4"	105'-0 1/8"	35'-0 1/8"	35'-4 3/4"	70'-4 7/8"	102'-7 7/8"
Girder 4	4734.40	450'-10"	136'-1 1/2"	175'-0"	138'-0 1/2"	101'-2 3/4"	34'-10 3/4"	35'-0"	69'-10 3/4"	105'-0"	35'-0"	35'-4 3/4"	70'-4 3/4"	102'-7 3/4"
Girder 5	4741.90	450'-9 5/8"	136'-1 3/8"	174'-11 1/8"	138'-0 3/8"	101'-2 5/8"	34'-10 3/4"	35'-0"	69'-10 3/4"	104'-11 7/8"	35'-0"	35'-4 3/4"	70'-4 3/4"	102'-7 5/8"
Girder 6	4749.40	450'-9 3/8"	136'-1 3/8"	174'-11 1/8"	138'-0 1/8"	101'-2 5/8"	34'-10 3/4"	35'-0"	69'-10 3/4"	104'-11 7/8"	35'-0"	35'-4 5/8"	70'-4 5/8"	102'-7 1/2"

DESIGNED	Chad E. Hodel
CHECKED	Mark D. Shaffer
DRAWN	h.t. duong
CHECKED	CEH/MDS

EXAMINED	Thomas J. Damagalki	Oct. 2, 2007
PASSED	Ralph E. Anderson	

STRUCTURAL STEEL
F.A.P. RT. 327 - SEC. (51-23)B-3
LAWRENCE COUNTY
STATION 553+95.50
STRUCTURE NO. 051-0063