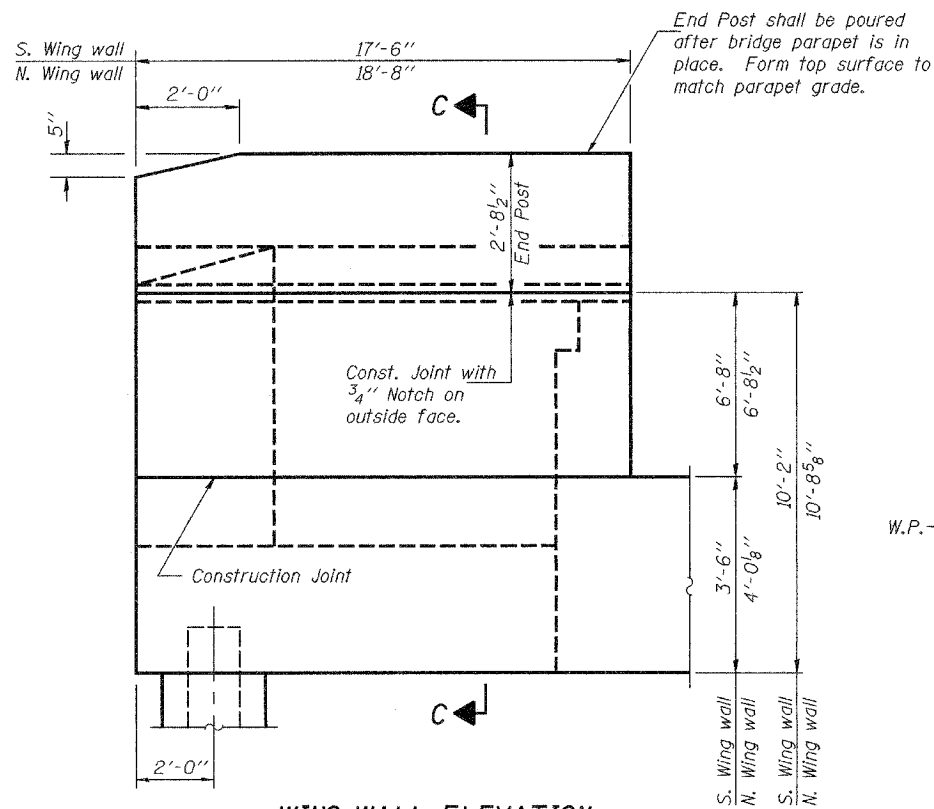


STATE OF ILLINOIS
DEPARTMENT OF TRANSPORTATION

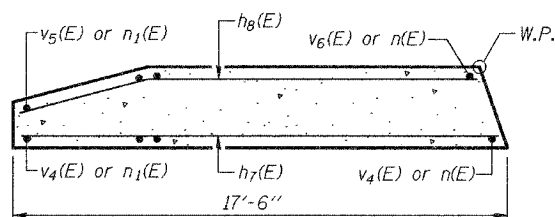
ROUTE NO.	SECTION	COUNTY	SHEET	SHEET
FAP 327	(51-23) B-3	LAWRENCE	56	37
ILLINOIS		FED. AID PROJECT-		

SHEET NO. 20
29 SHEETS

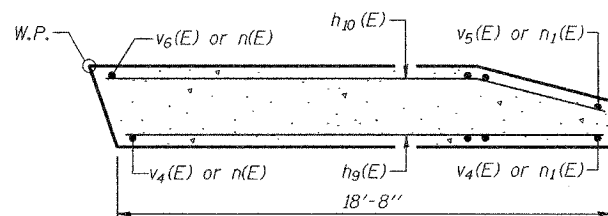
Contract No. 94967



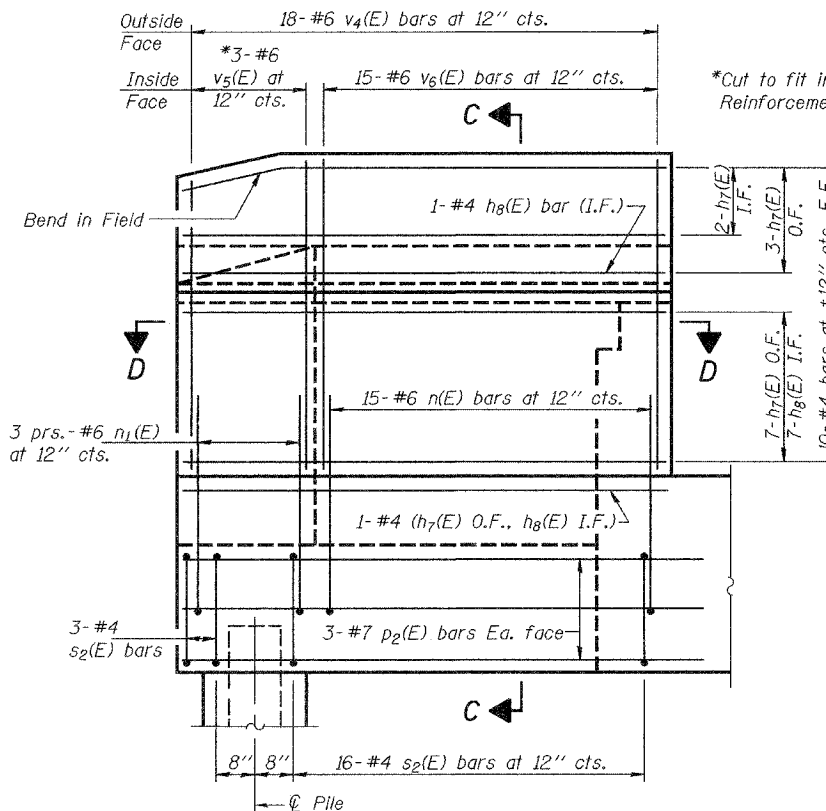
WING WALL ELEVATION
(Showing dimensions along outside face)



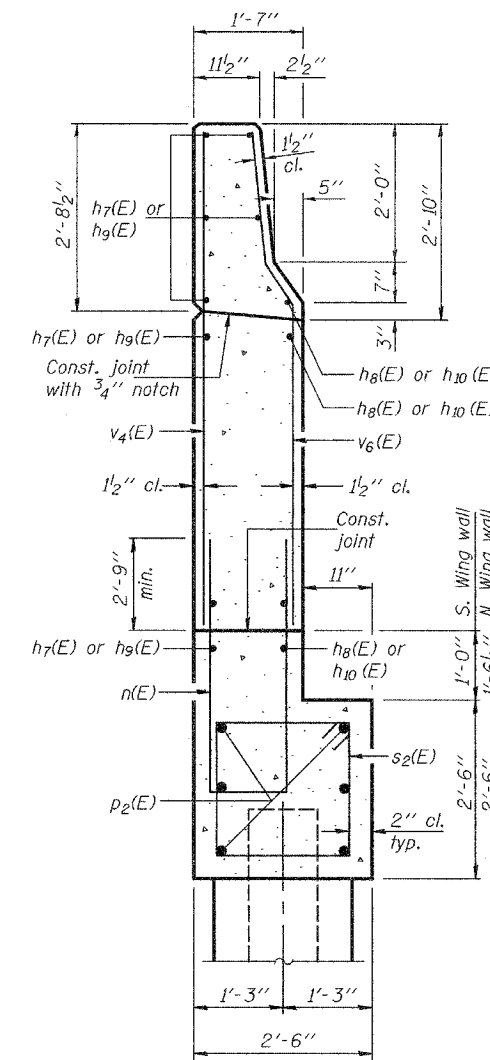
SECTION D-D



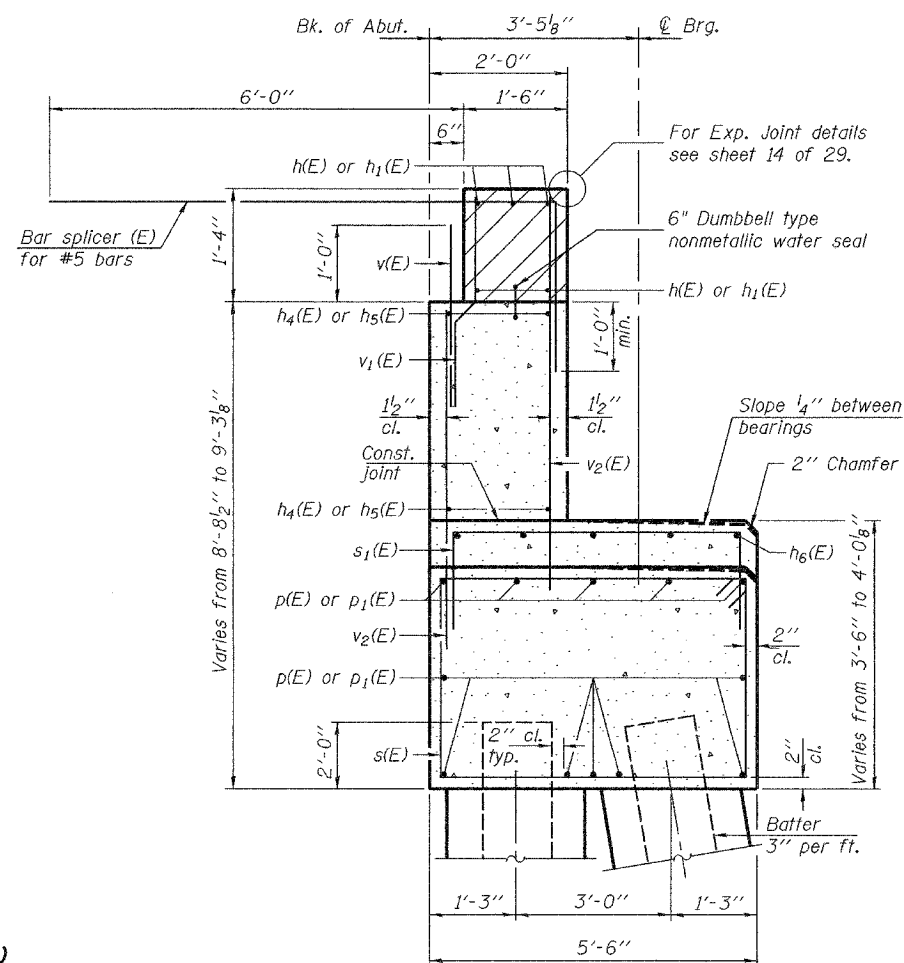
SECTION B-B



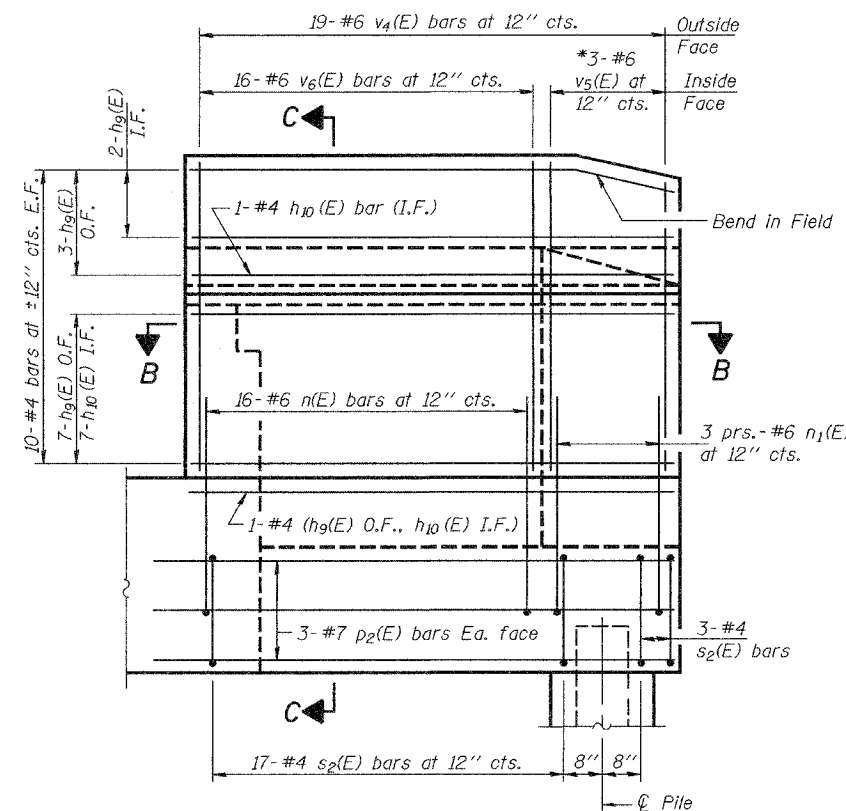
SOUTH WING WALL ELEVATION
(Showing reinforcement)



SECTION C-C



SEC. THRU ABUT.



NORTH WING WALL ELEVATION
(Showing reinforcement)

Notes: Hatched area to be poured after superstructure false work has been removed. Quantity of concrete included with Concrete Superstructure.
Space reinforcement in cap to miss anchor bolts.
Pour steps monolithically with cap.
Quantity of concrete in end post included with Concrete Superstructure on sheet 12 of 29.
For concrete encasement details, see sheet 25 of 29.

DESIGNED	Chad E. Hodel
CHECKED	Mark D. Shaffer
DRAWN	h.t. duong
CHECKED	CEH/MDS

Oct. 2, 2007
EXAMINED *Thomas J. Donagabali*
PASSED *Ralph E. Anderson*
ENGINEER OF BRIDGES AND STRUCTURES

WEST ABUTMENT DETAILS
F.A.P. RT. 327 - SEC. (51-23)B-3
LAWRENCE COUNTY
STATION 553+95.50
STRUCTURE NO. 051-0063