

STATE OF ILLINOIS  
DEPARTMENT OF TRANSPORTATION

ROUTE NO.	SECTION	COUNTY	TOTAL SHEETS	SHEET NO.
FAP 327	(51-23) B-3	LAWRENCE	56	38
FED. ROAD DIST. NO. 7	I.LINER	FED. AID PROJECT-		

SHEET NO. 21

29 SHEETS

Contract No. 94967

**MIN. BAR LAP**

#5 bar = 2'-2"  
#6 bar = 2'-7"

**ABUTMENT  
BILL OF MATERIAL**

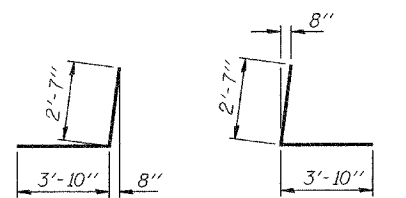
Bar	No.	Size	Length	Shape
h20(E)	5	#6	18'-6"	—
h21(E)	5	#6	22'-2"	—
h22(E)	14	#5	6'-5"	└
h23(E)	14	#5	6'-5"	└
h24(E)	12	#5	18'-6"	—
h25(E)	12	#5	22'-2"	—
h26(E)	5	#4	20'-2"	—
h27(E)	13	#4	17'-2"	—
h28(E)	9	#4	17'-7"	—
h29(E)	13	#4	18'-10"	—
h30(E)	9	#4	18'-8"	—
n(E)	32	#6	12'-10"	└
n1(E)	12	#6	6'-5"	└
p10(E)	12	#7	20'-2"	—
p11(E)	12	#7	23'-9"	—
p12(E)	12	#7	19'-3"	—
s(E)	41	#4	17'-5"	└
s1(E)	21	#4	9'-2"	└
s2(E)	40	#4	9'-5"	└
u1(E)	9	#6	10'-5"	└
v(E)	42	#5	3'-4"	—
v1(E)	42	#4	3'-2"	—
v2(E)	84	#5	7'-7"	—
v4(E)	38	#6	9'-0"	—
v5(E)	6	#6	9'-1"	—
v6(E)	32	#6	9'-3"	—
Structure Excavation		Cu. Yd.	97	
Concrete Structures		Cu. Yd.	75.1	
Reinforcement Bars, Epoxy Coated		Pound	6820	
Furnishing Steel Piles, HP12x63		Foot	480	
Driving Piles		Foot	480	
Test Pile Steel HP12x63		Each	1	
Concrete Encasement		Cu. Yd.	4.4	
Concrete Sealer		Sq. Ft.	620	
Bar Splicers		Each	71	

For details of bar splicers, see sheet 26 of 29.

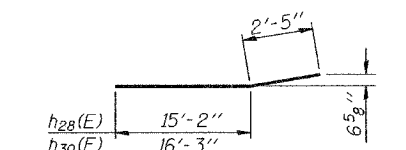
For details of piles and concrete encasement, see sheet 25 of 29.

Concrete sealer shall be applied to the bearing seats and front faces of the hatched block, back wall, and abutment cap.

**EAST ABUTMENT**  
F.A.P. RT. 327 - SEC. (51-23)B-3  
LAWRENCE COUNTY  
STATION 553+95.50  
STRUCTURE NO. 051-0063



BAR h22(E)      BAR h23(E)



BARS h28(E) & h30(E)



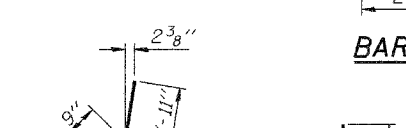
BAR n(E)

BAR n1(E)

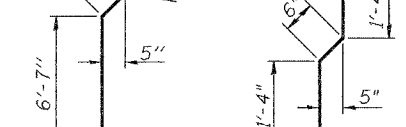


BARS s(E)  
& s2(E)

BAR s1(E)



BAR u1(E)



BAR v6(E)

BAR v1(E)

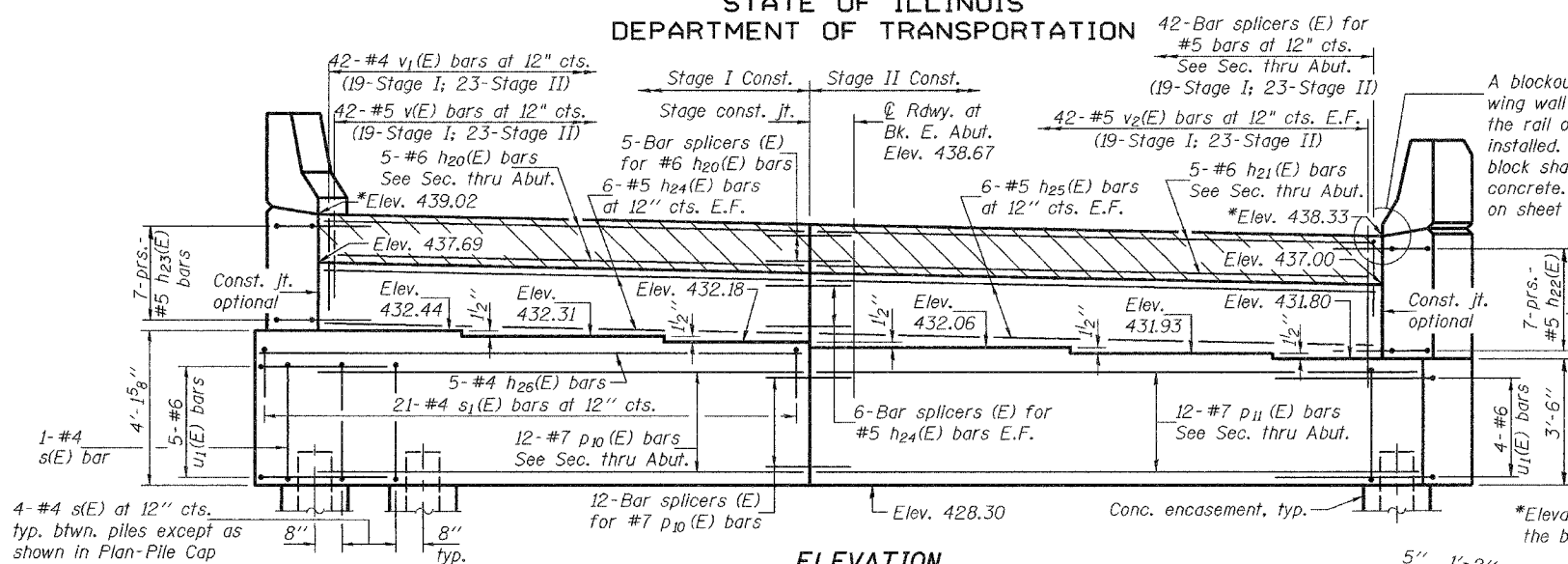
BAR v5(E)

**PILE DATA**

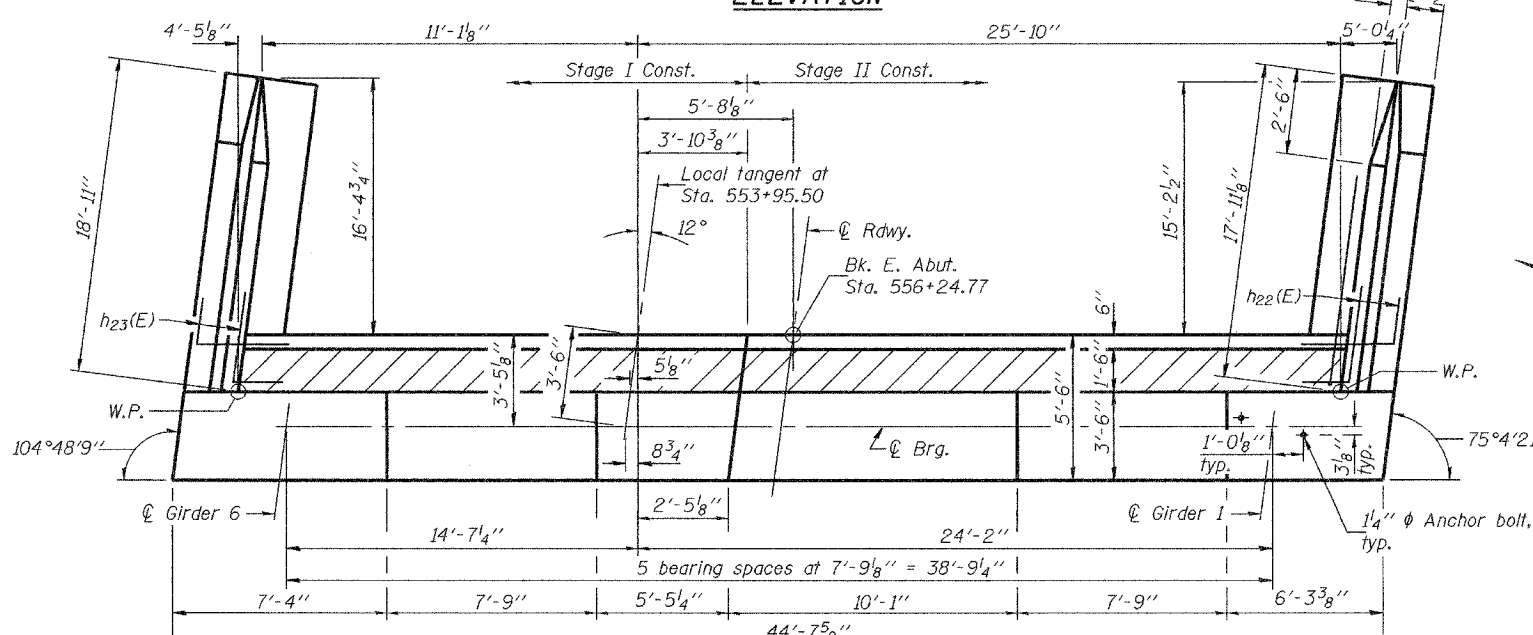
Type: Steel HP12x63  
Nominal Required Bearing: 460 Kips  
Factored Resistance Available: 230 Kips  
Est. Length: 40'  
No. Production Piles: 12  
No. Test Piles: 1

DESIGNED	Chad E. Hodel
CHECKED	Mark D. Shaffer
DRAWN	h.t. duong
CHECKED	CEH/MDS

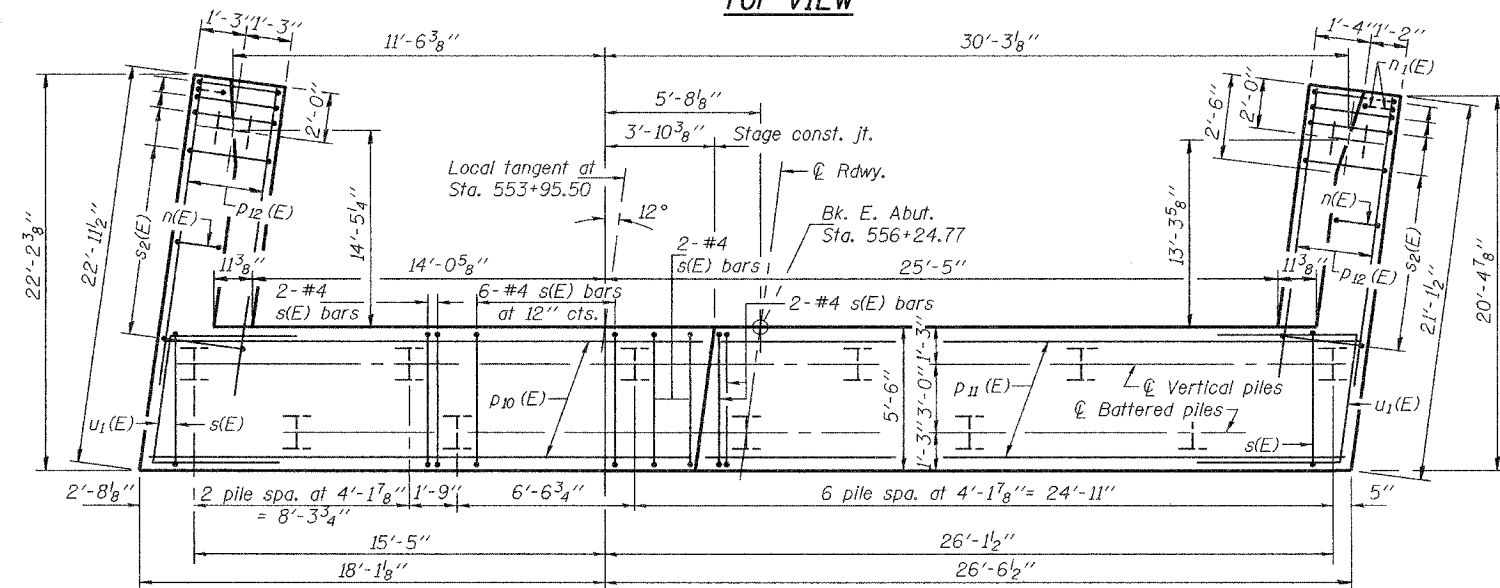
Oct. 2, 2007  
EXAMINED *Thomas J. Damagala*  
ENGINEER OF BRIDGE DESIGN  
PASSED *Ralph E. Anderson*  
ENGINEER OF BRIDGES AND STRUCTURES



**ELEVATION**



**TOP VIEW**



**PLAN-PILE CAP**