

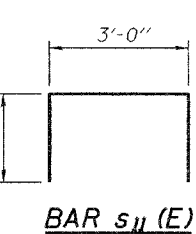
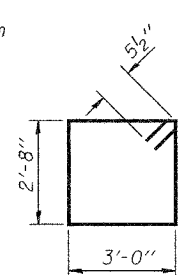
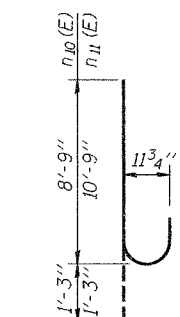
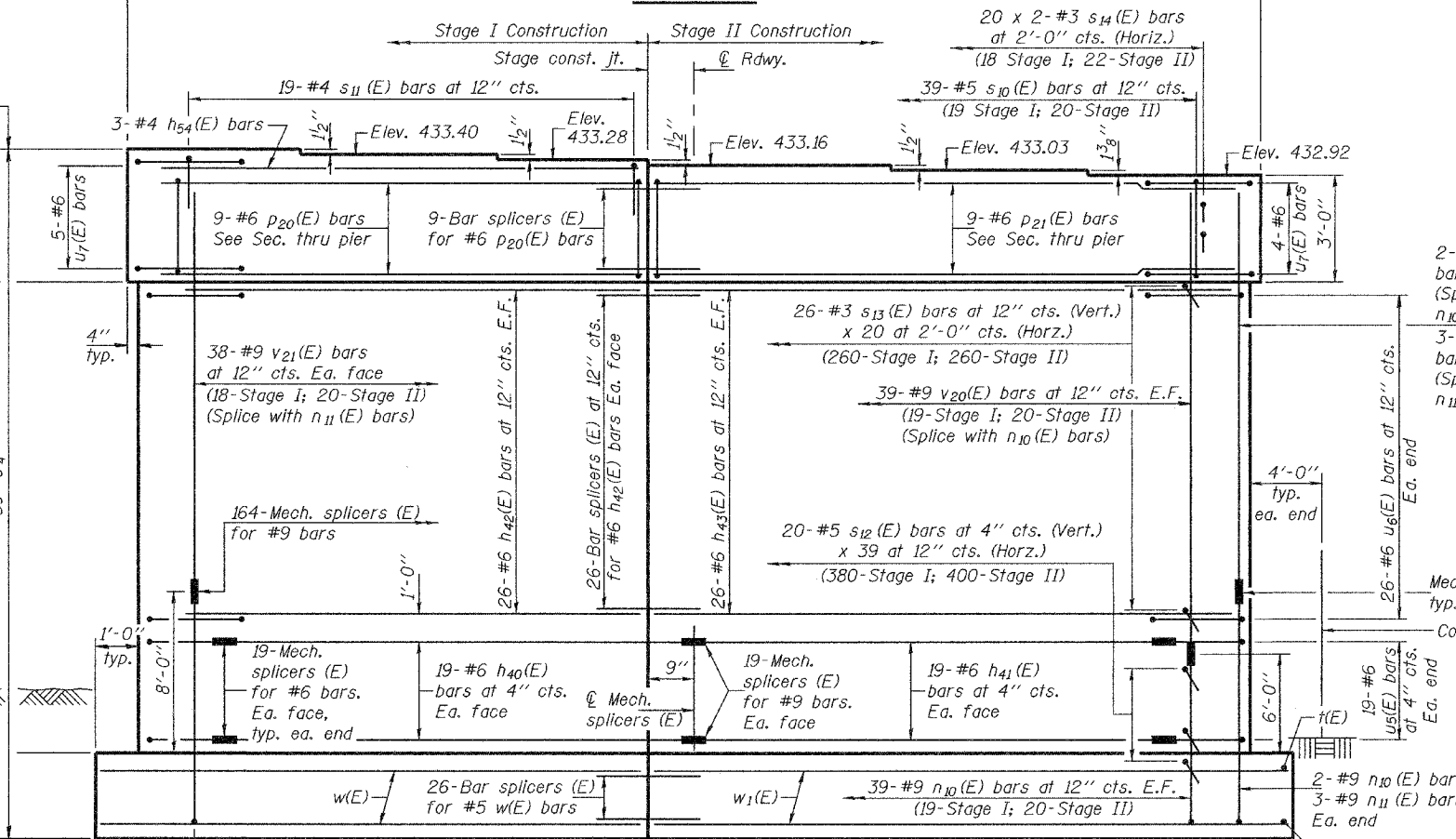
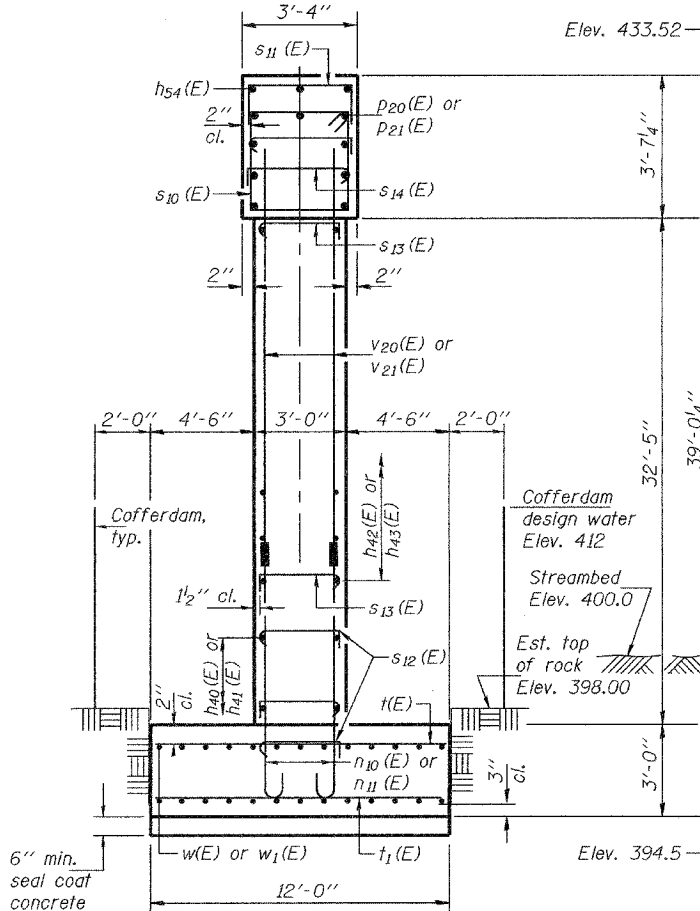
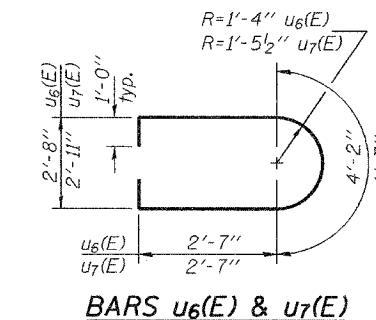
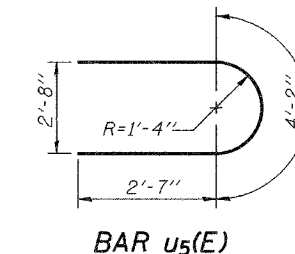
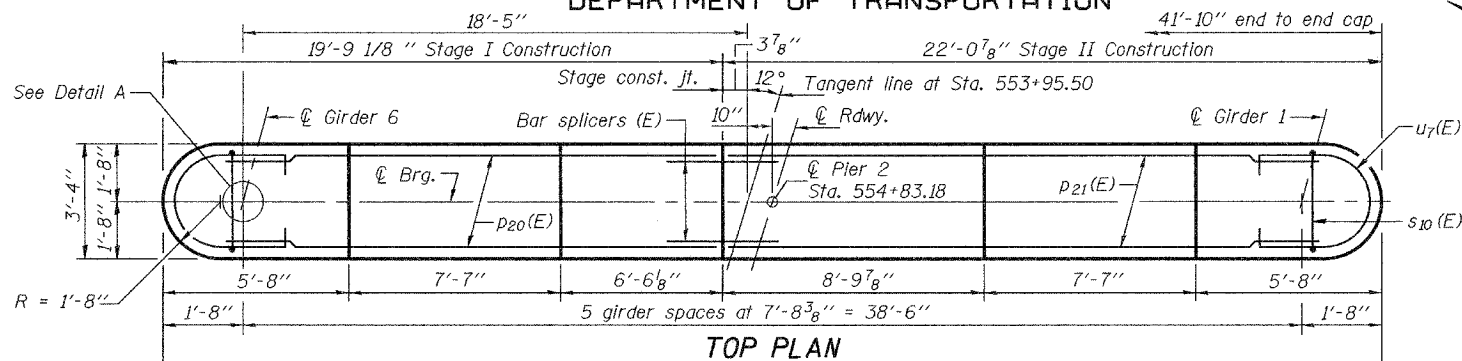
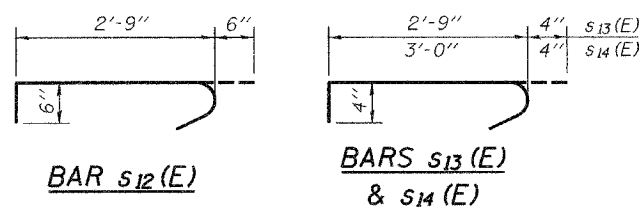
Notes: Space reinforcement in cap to miss anchor bolts.
 Pour steps monolithically with cap.
 See pier construction details on sheet 2 of 29.
 Mechanical splices designated (E) shall be epoxy coated.
 The s₁₂(E), s₁₃(E), and s₁₄(E) cross-tie bars shall be placed so that the 90° hooked ends of two successive cross-ties alternate end-for-end.

STATE OF ILLINOIS
 DEPARTMENT OF TRANSPORTATION

ROUTE NO.	SECTION	COUNTY	TOTAL SHEETS	SHEET NO.
FAP 327	(51-23) B-3	LAWRENCE	56	41
FED. ROAD DIST. NO. 7		ILLINOIS	FED. AID PROJECT	

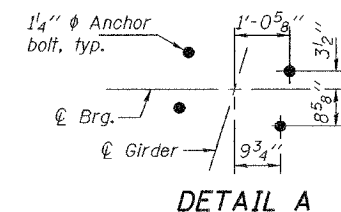
SHEET NO. 24
29 SHEETS

Contract No. 94967



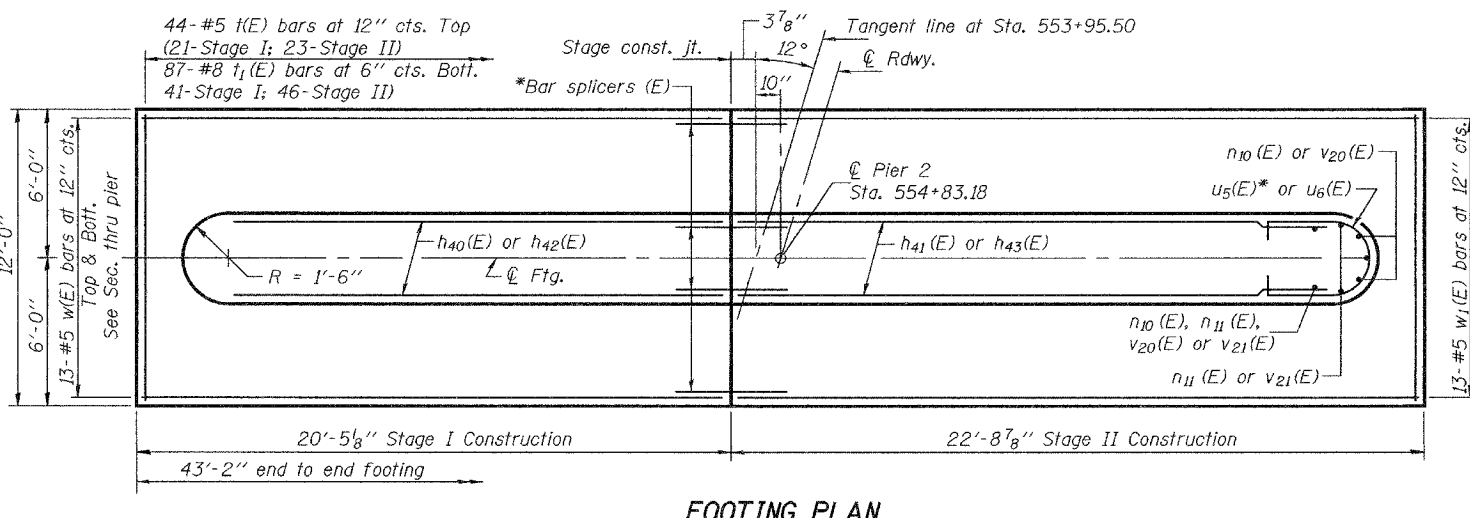
BILL OF MATERIAL

Bar	No.	Size	Length	Shape
h ₄₀ (E)	38	#6	16'-1"	—
h ₄₁ (E)	38	#6	16'-11"	—
h ₄₂ (E)	52	#6	17'-9"	—
h ₄₃ (E)	52	#6	20'-1"	—
h ₅₄ (E)	3	#4	17'-7"	—
n ₁₀ (E)	82	#9	10'-0"	U
n ₁₁ (E)	82	#9	12'-0"	U
p ₂₀ (E)	9	#6	17'-11"	—
p ₂₁ (E)	9	#6	20'-3"	—
s ₁₀ (E)	39	#5	12'-3"	□
s ₁₁ (E)	19	#4	7'-0"	—
s ₁₂ (E)	780	#5	3'-9"	—
s ₁₃ (E)	520	#3	3'-5"	—
s ₁₄ (E)	40	#3	3'-8"	—
t(E)	44	#5	11'-8"	—
t ₁ (E)	87	#8	11'-8"	—
u ₅ (E)	38	#6	9'-4"	U
u ₆ (E)	52	#6	11'-4"	U
u ₇ (E)	9	#6	11'-9"	U
v ₂₀ (E)	82	#9	29'-0"	—
v ₂₁ (E)	82	#9	27'-0"	—
w(E)	26	#5	20'-1"	—
w ₁ (E)	26	#5	22'-5"	—
Concrete Structures		Cu. Yd.	220.3	
Reinforcement Bars, Epoxy Coated		Pound	37470	
Mechanical Splice		Each	278	
Cofferdam Excavation		Cu. Yd.	95	
Cofferdams		Each	1	
Seal Coat Concrete		Cu. Yd.	9.6	
Bar Splicers		Each	87	
Rock Excavation for Structures		Cu. Yd.	72	



DESIGNED	Chad E. Hodel
CHECKED	Mark D. Shaffer
DRAWN	h.t. duong
CHECKED	CEH/MDS

Oct. 2, 2007
 EXAMINED *Thomas J. Damagala*
 PASSED *Ralph E. Anderson*



MIN. BAR LAP
 #6 bar = 2'-7"

* Mechanical splices (E) shall be used as detailed in elevation view.

PIER 2
 F.A.P. RT. 327 - SEC. (51-23)B-3
 LAWRENCE COUNTY
 STATION 553+95.50
 STRUCTURE NO. 051-0063