


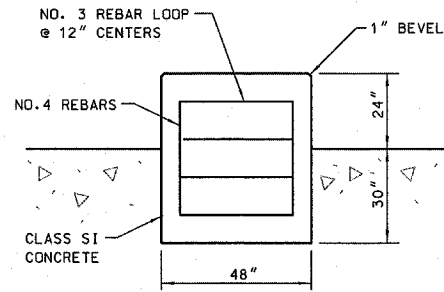
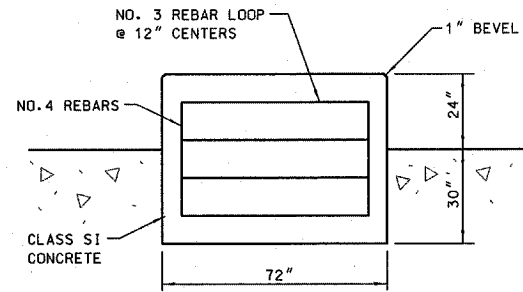
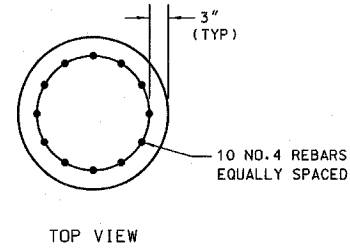
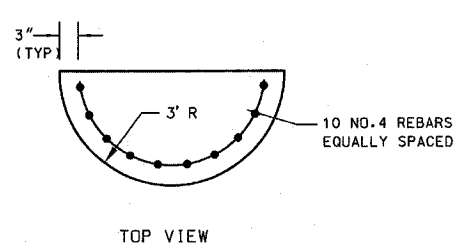
**Kaskaskia Engineering Group L.L.C.**  
23 Public Square Suite 404  
Belleville, Illinois 62220  
Office: (618)-233-5977 Fax: (618)-233-5977  
www.kaskaskiaeng.com  
A Division of Business Enterprise

PREPARED BY:   
PROFESSIONAL REGISTRATIONS LICENSE NO. 1840473  
LUNGE PROFESSIONAL DESIGN FIRM  
PROFESSIONAL ENGINEERING CORP. 20-506268

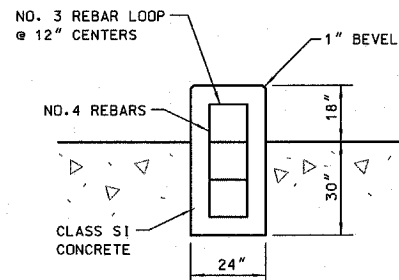
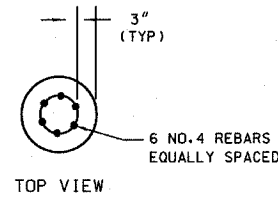
REV.	DATE	DESCRIP
△	08/29/2007	FIRST REVIEW
△	XX/XX/XX	XXXXXXXX
△	XX/XX/XX	XXXXXXXX

SHEET TITLE: **MISCELLANEOUS DETAILS**  
PROJECT TITLE: **DOWNTOWN BELLEVILLE STREETSCAPE PH. 2  
CITY OF BELLEVILLE  
ST. CLAIR COUNTY, ILLINOIS**

DESIGNED BY: TIM	SHEET
DRAWN BY: CHA/DWK	<b>30</b>
CHECKED BY: TIM	
DATE OF PRELIMINARY: 08/20/2007	
DATE OF FINAL: 09/13/2007	
SHEET NO. 30 OF 48 SHEETS	
PROJECT NUMBER 07-0041	



**CONCRETE FOUNDATION SPECIAL - DETAIL A** SE & NE QUAD  
**CONCRETE FOUNDATION SPECIAL - DETAIL B** NW QUAD

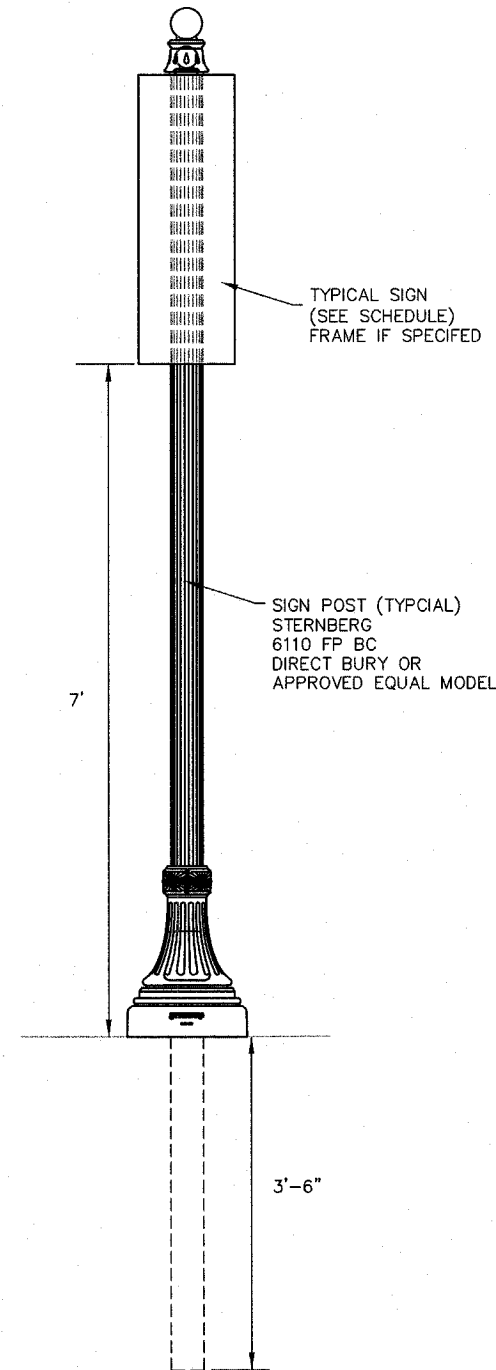


**CONCRETE FOUNDATION SPECIAL - DETAIL C** NW QUAD

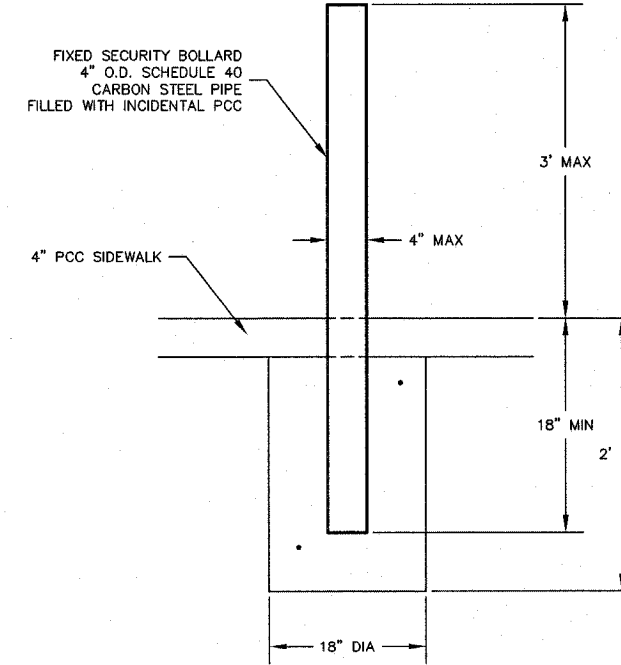
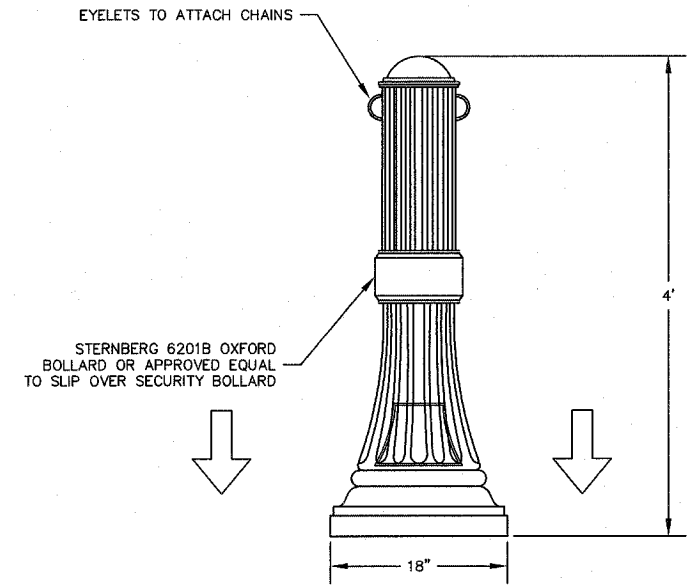
NOTE: ALL EXPOSED SURFACES SHALL RECEIVE A "RUBBED FINISH" FOR CONCRETE FOUNDATIONS SPECIAL AS PER IDOT STD SPECIFICATIONS, SECTION 503.

CONCRETE FOUNDATIONS SPECIAL SHALL BE USED FOR DISPLAYING ART WORK FOR THE CITY OF BELLEVILLE. ART WORK SHALL BE INSTALLED BY OTHERS.

SEE ELECTRICAL PLAN FOR LIGHTING DETAILS AND INSTALLATION OF CONDUIT WITHIN CONCRETE FOUNDATIONS.



**ORNAMENTAL SIGN POST**  
NOT TO SCALE



NOTE: INSTALL BOLLARDS PER MANUFACTURER INSTRUCTIONS AND SPECIFICATIONS.

**BOLLARD DETAIL**  
NOT TO SCALE