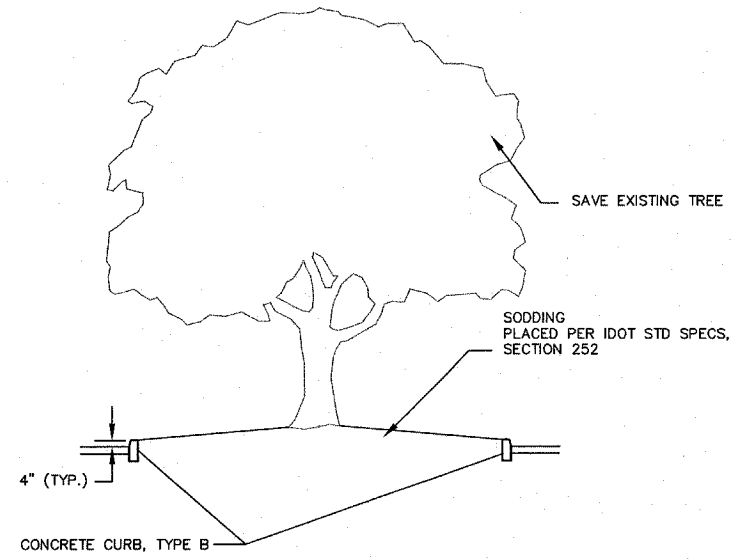
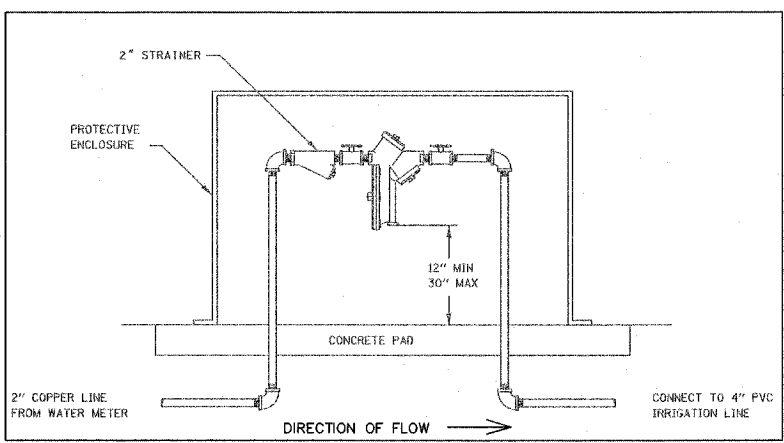


TOP VIEW

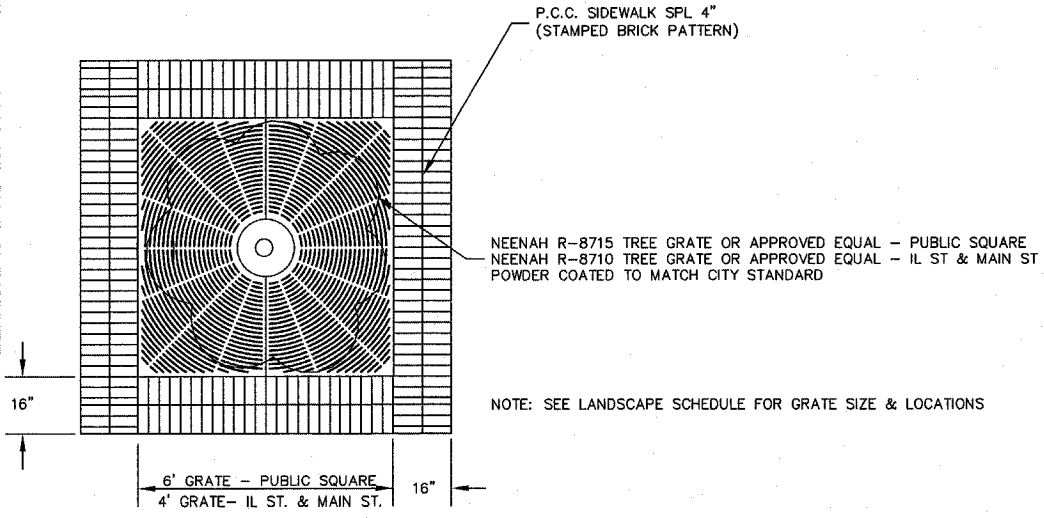


SECTION VIEW

TREE PLANTER & P.C.C. SIDEWALK SPL. DETAIL  
NOTE TO SCALE

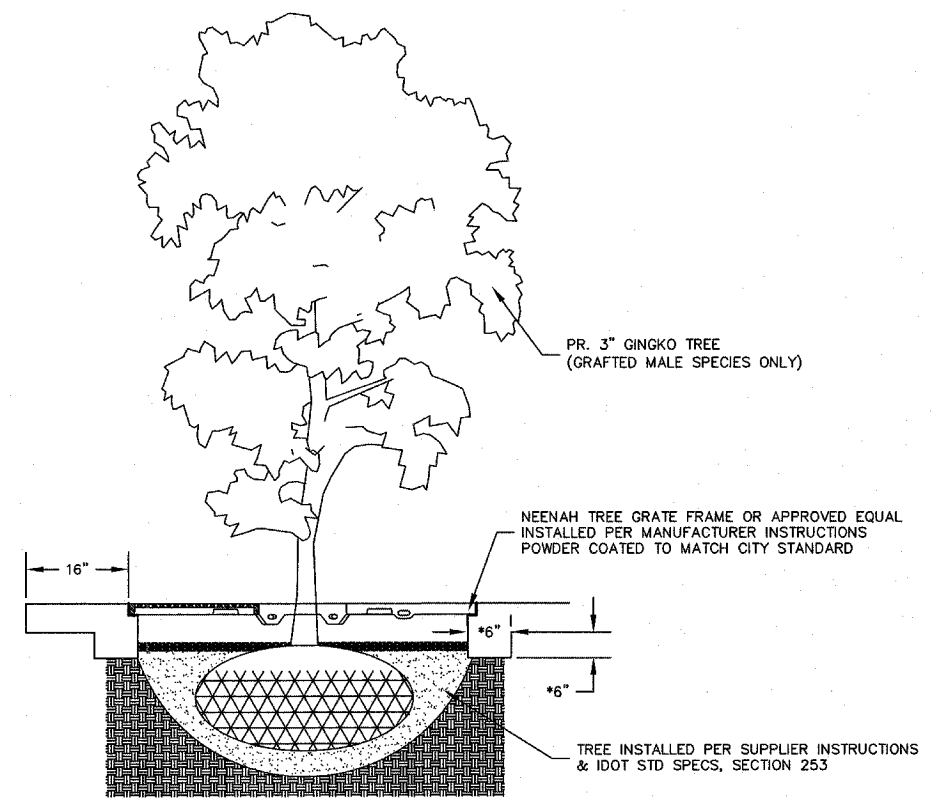


NOTE: REDUCED PRESSURE ZONE ASSEMBLY  
MUST BE UL LISTED.  
REDUCED PRESSURE ZONE ASSEMBLY, 2" DETAIL



TOP VIEW

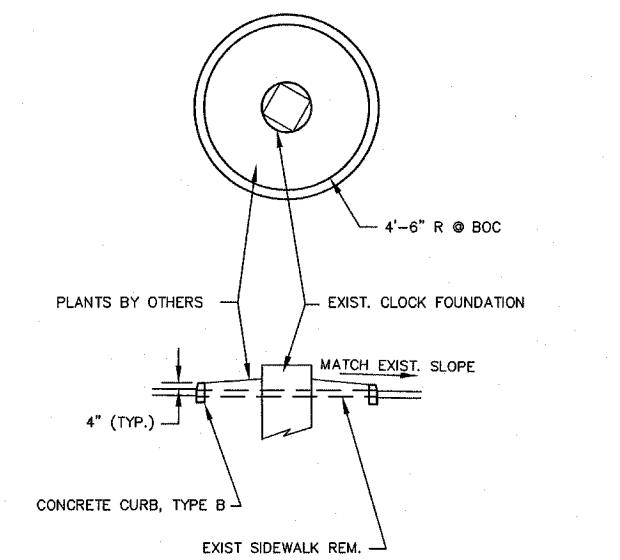
NOTE: SEE LANDSCAPE SCHEDULE FOR GRATE SIZE & LOCATIONS



ELEVATION VIEW

\* SIDEWALK FOOTING AT TREE  
GRATE LOCATIONS ONLY

TREE GRATE & P.C.C. SIDEWALK SPL. DETAIL  
NOTE TO SCALE



CONC CURB DETAIL @ BELLEVILLE CLOCK  
NOTE TO SCALE

MISCELLANEOUS DETAILS

SHEET TITLE:

PROJECT TITLE:  
**DOWNTOWN BELLEVILLE STREETSCAPE PH. 2**  
CITY OF BELLEVILLE  
ST. CLAIR COUNTY, ILLINOIS

DESIGNED BY: TJM	SHEET
DRAWN BY: CHA/DWK	31
CHECKED BY: TJM	
DATE OF PRELIMINARY: 08/20/2007	
DATE OF FINAL: 09/13/2007	