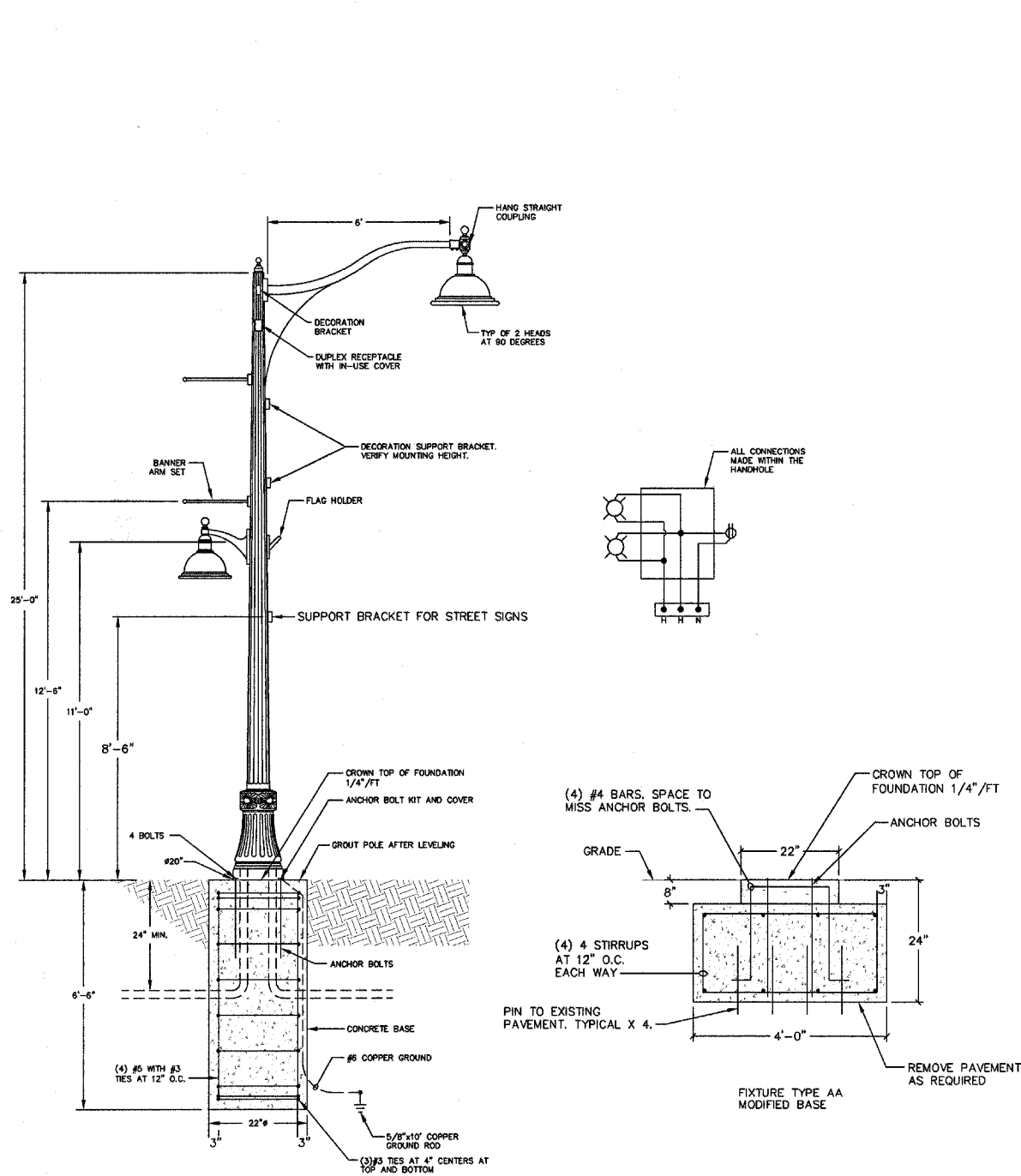
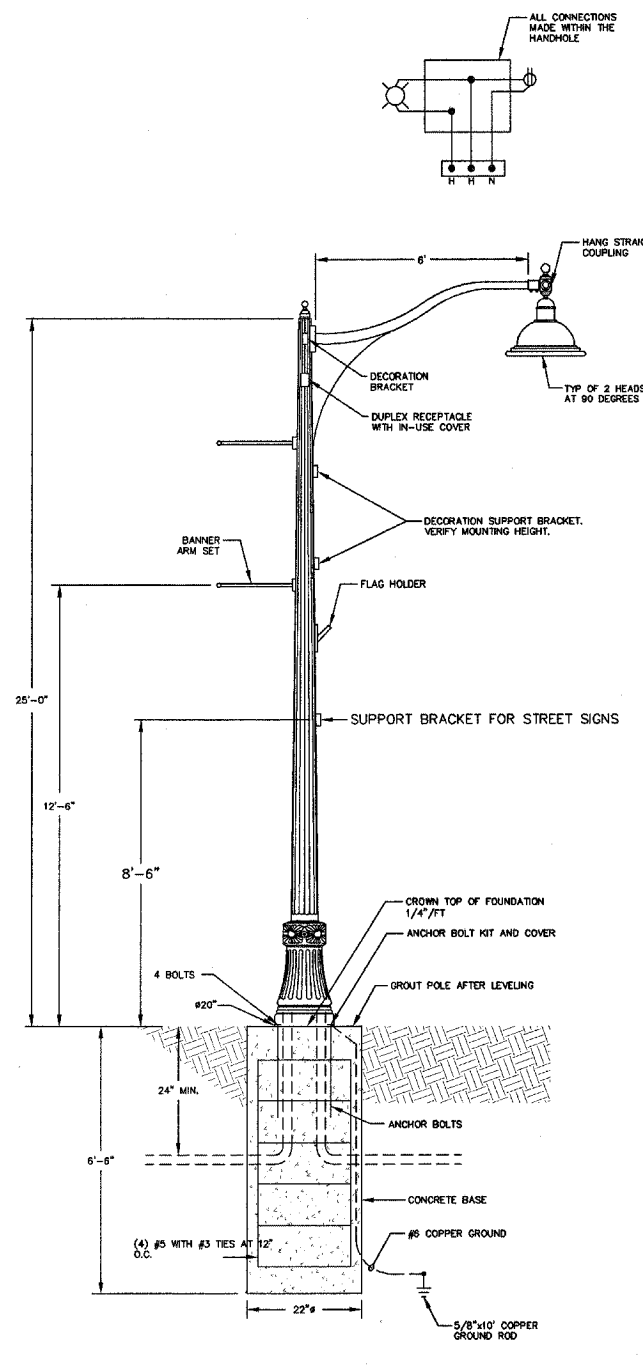


GENERAL NOTES

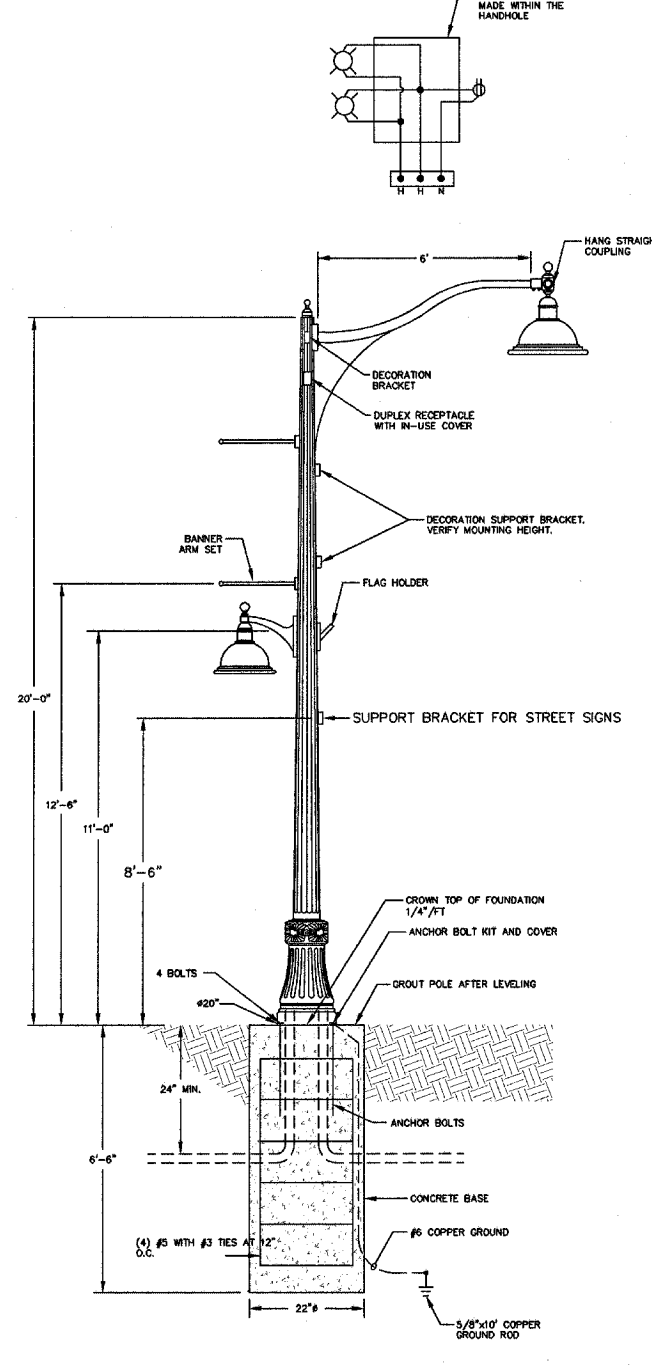
1. CONTRACTOR SHALL LOCATE ALL EXISTING UTILITIES PRIOR TO BEGINNING CONSTRUCTION.
2. UNLESS NOTED OTHERWISE, ALL CONDUIT SHALL BE PVC.
3. ROUTE CONDUITS AROUND TREE PLANTING AREAS.
4. ALL LIGHTING SHALL REMAIN OPERATIONAL UNTIL NEW IS INSTALLED AND MADE OPERATIONAL.



1 LIGHT FIXTURE TYPE AA
E4.2 NO SCALE



2 LIGHT FIXTURE TYPE AB
E4.2 NO SCALE



3 LIGHT FIXTURE TYPE B
E4.2 NO SCALE

Kaskaskia Engineering Group LLC
23 Public Square Suite 404
Belleville, Illinois 62220
Office: (618) 233-5877 Fax: (618) 233-5977
www.kaskaskiaeng.com
A Disadvantaged Business Enterprise

PREPARED BY: [Signature]
PROFESSIONAL REGISTRATIONS:
ILLINOIS PROFESSIONAL DESIGN FIRM
ILLINOIS PROFESSIONAL ENGINEERING CORP.
LICENSE NO. 18406773
20-08088

BRiC
PARTNERSHIP, LLC
CONSULTING ENGINEERS
100 EAST WASHINGTON, SUITE 220
BELLEVILLE, ILL. 62220
TEL 618.277.5200 FAX 618.277.5227

SEAL

Signature: _____
Expiration Date: _____

REV	DATE	DESCRIP

SHEET TITLE: **ELECTRICAL DETAILS**
PROJECT TITLE: **BELLEVILLE SQUARE CITY OF BELLEVILLE ST. CLAIR COUNTY, ILLINOIS**

DESIGNED BY: ESP	SHEET
DRAWN BY: GYK/ESP	41
CHECKED BY: BEC	E4.2
DATE OF PRELIMINARY: 08/17/2007	
DATE OF FINAL:	
SHEET NO 10 OF 13 SHEETS	
PROJECT NUMBER 07-0041	