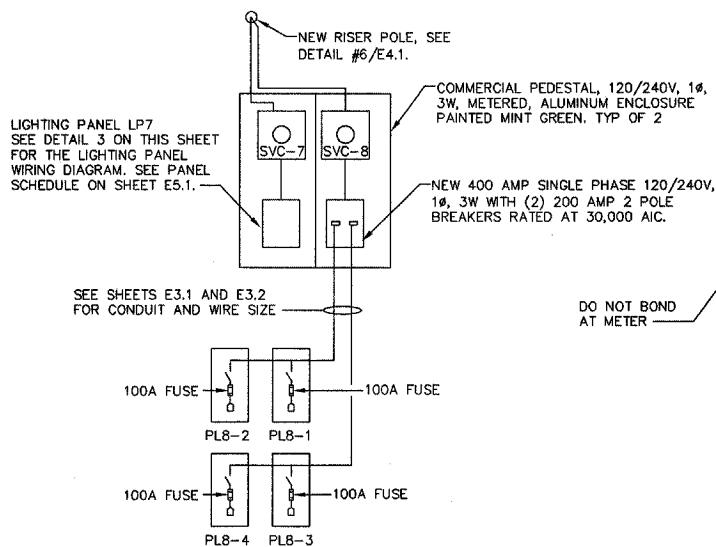
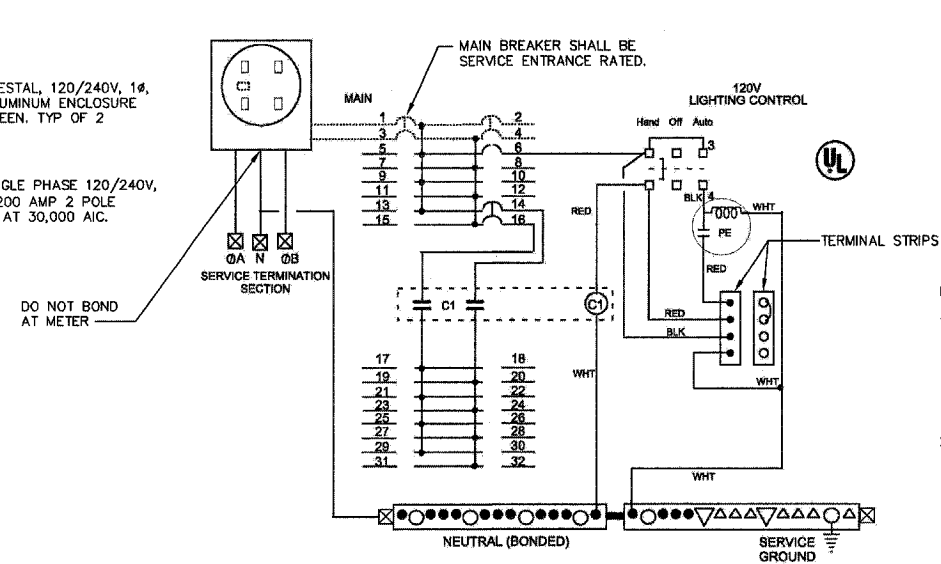


1
E4.3
NEW SVC-4, SVC-5, SVC-6
NONE

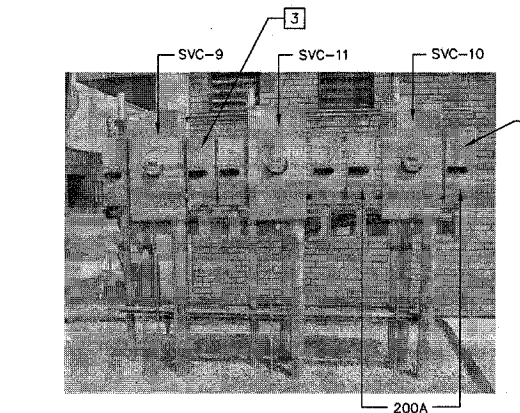
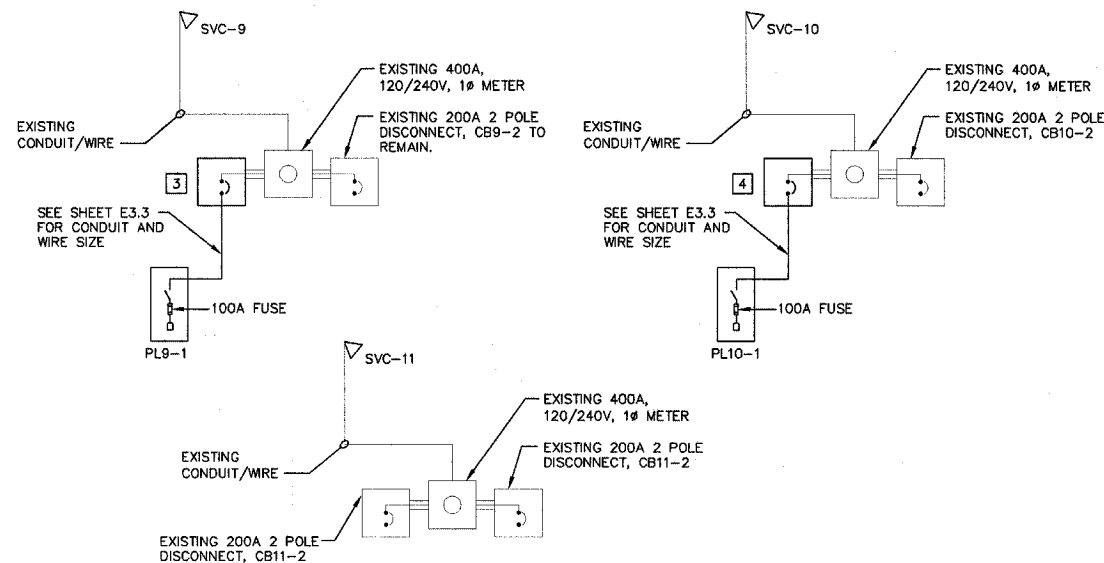


2
E4.3
NEW SVC-7, SVC-8
NONE

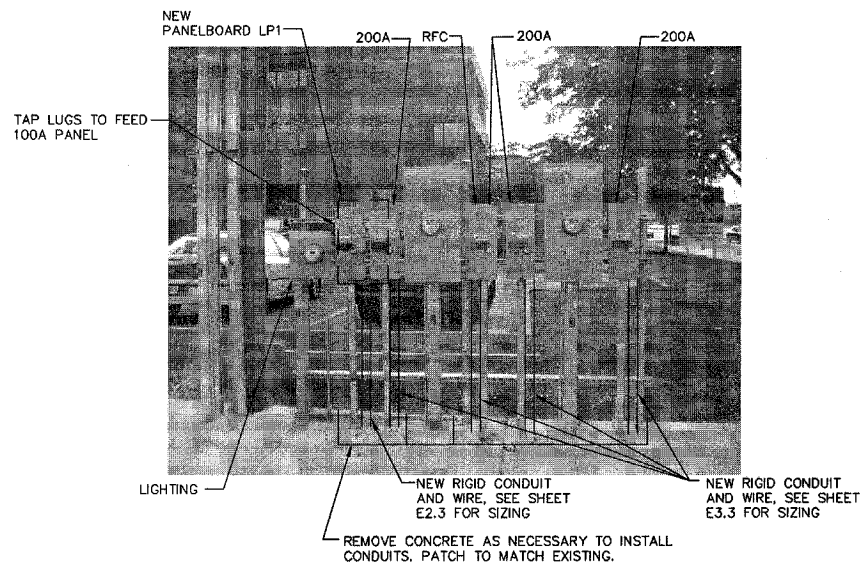
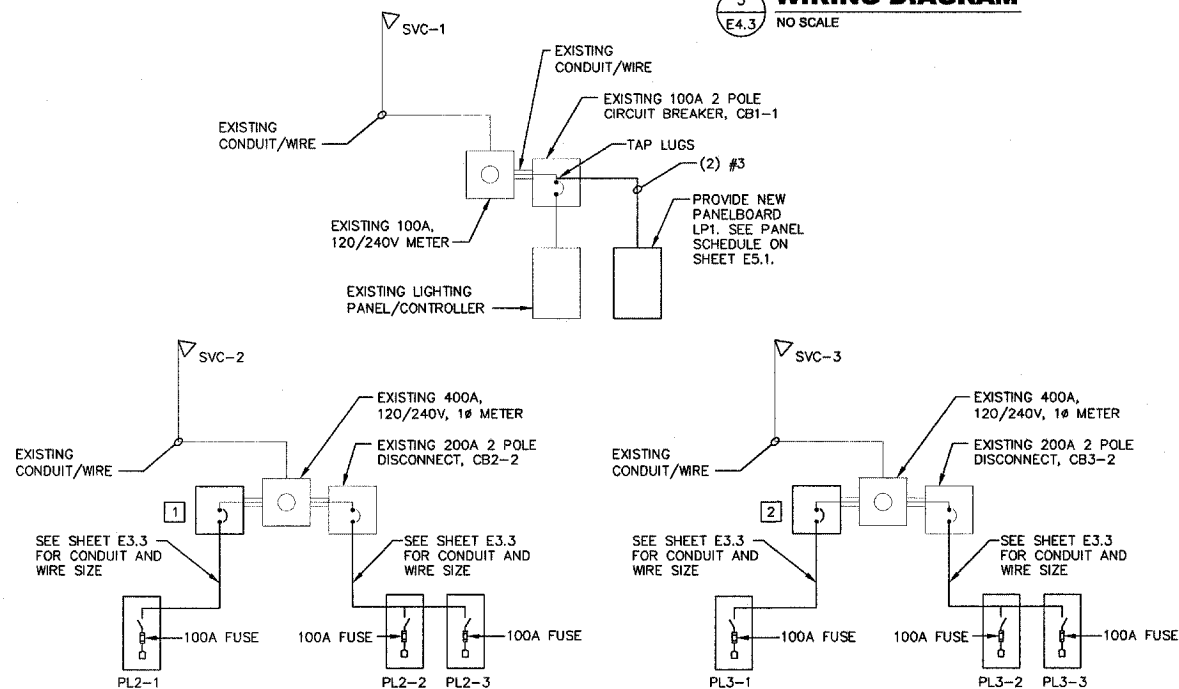


3
E4.3
WIRING DIAGRAM
NO SCALE

- NOTES:
- LOAD CENTERS ARE RATED & UL LISTED WITH: MILBANK, SIEMENS, GENERAL ELECTRIC AND CUTLER-HAMMER BOLT-ON STYLE CIRCUIT BREAKERS.
 - C1 = CONTACTOR, 60A, 3-POLE, 120V COIL, ELECTRICALLY HELD, SIEMENS TYPE LEN.



4
E4.3
EXISTING SVC-9, SVC-10, SVC-11
NONE



4
E4.3
EXISTING SVC-1, SVC-2, SVC-3
NONE

GENERAL NOTES

- CONTRACTOR SHALL LOCATE ALL EXISTING UTILITIES PRIOR TO BEGINNING CONSTRUCTION.
- UNLESS NOTED OTHERWISE, ALL CONDUIT SHALL BE PVC.
- ROUTE CONDUITS AROUND TREE PLANTING AREAS.
- ALL LIGHTING SHALL REMAIN OPERATIONAL UNTIL NEW IS INSTALLED AND MADE OPERATIONAL.

KEYED NOTES

- REMOVE THE EXISTING 200 AMP 2 POLE DISCONNECT AND CIRCUITRY AND REPLACE WITH A 100 AMP 2 POLE DISCONNECT. LABEL THE NEW DISCONNECT CB2-1.
- REMOVE THE EXISTING 200 AMP 2 POLE DISCONNECT AND CIRCUITRY AND REPLACE WITH A 100 AMP 2 POLE DISCONNECT. LABEL THE NEW DISCONNECT CB3-1.
- REMOVE THE EXISTING 200 AMP 2 POLE DISCONNECT AND CIRCUITRY AND REPLACE WITH A 100 AMP 2 POLE DISCONNECT. LABEL THE NEW DISCONNECT CB9-1.
- REMOVE THE EXISTING 200 AMP 2 POLE DISCONNECT AND CIRCUITRY AND REPLACE WITH A 100 AMP 2 POLE DISCONNECT. LABEL THE NEW DISCONNECT CB10-1.

Kaskaskia Engineering Group L.L.C.
23 Public Square Suite 404
Belleville, Illinois 62220
Office: (618) 233-5977 Fax: (618) 233-5977
www.kaskaskiaeng.com
A Disadvantaged Business Enterprise

PREPARED BY: [Signature]
PROFESSIONAL REGISTRATIONS:
LUMIS PROFESSIONAL DESIGN FIRM
PROFESSIONAL ENGINEERING CORP.
LICENSE NO. 18404773
20-508086

BRiC
PARTNERSHIP, LLC
CONSULTING ENGINEERS
100 EAST WASHINGTON, SUITE 220
BELLEVILLE, ILLINOIS 62220
TEL: 618.277.5200 FAX: 618.277.5227

Signature: _____
Expiration Date: _____

REV	DATE	DESCRIP

SHEET TITLE: **ELECTRICAL DETAILS AND ONE-LINE DIAGRAMS**
PROJECT TITLE: **BELLEVILLE SQUARE CITY OF BELLEVILLE ST. CLAIR COUNTY, ILLINOIS**

DESIGNED BY: ESP	SHEET
DRAWN BY: GYK/ESP	42
CHECKED BY: BEC	E4.3
DATE OF PRELIMINARY: 08/17/2007	
DATE OF FINAL:	
SHEET NO. 11	OF 13 SHEETS
PROJECT NUMBER 07-0041	