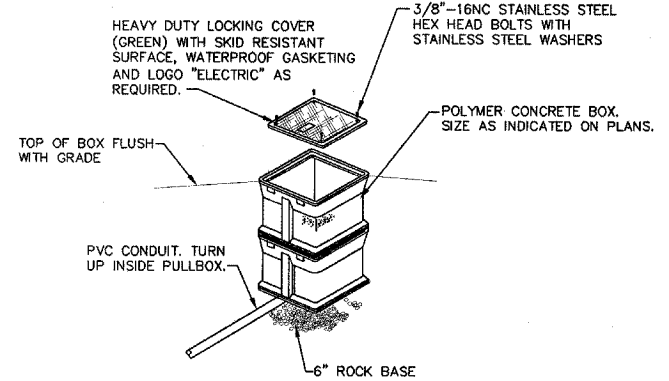
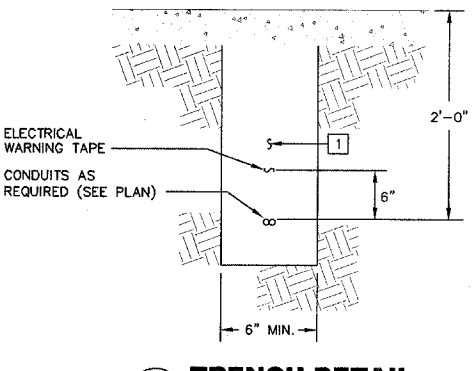
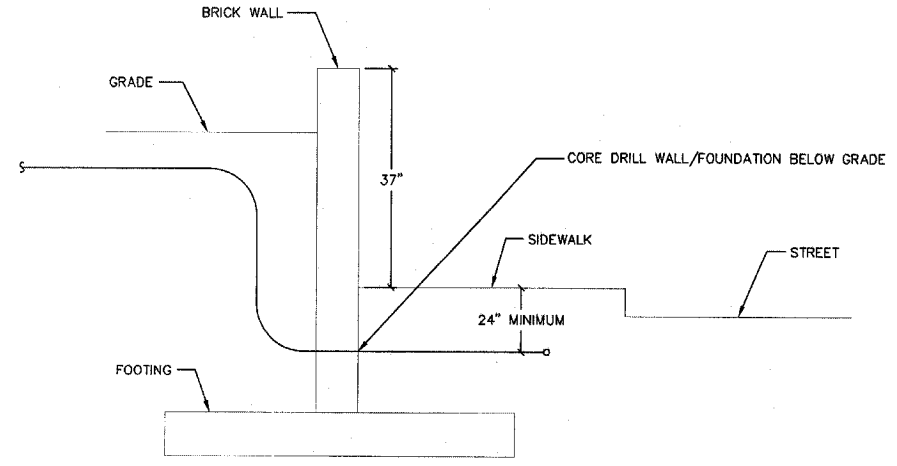
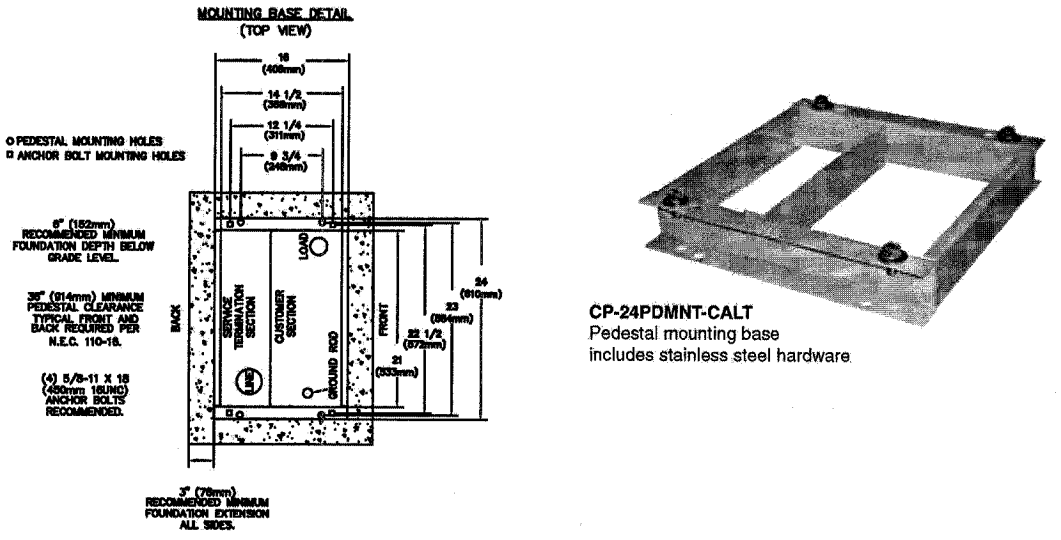
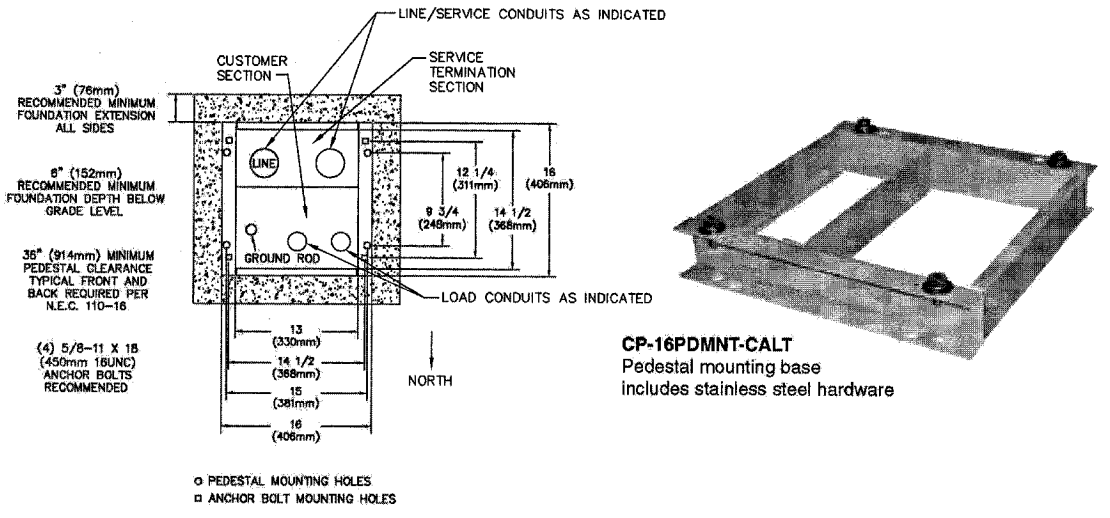
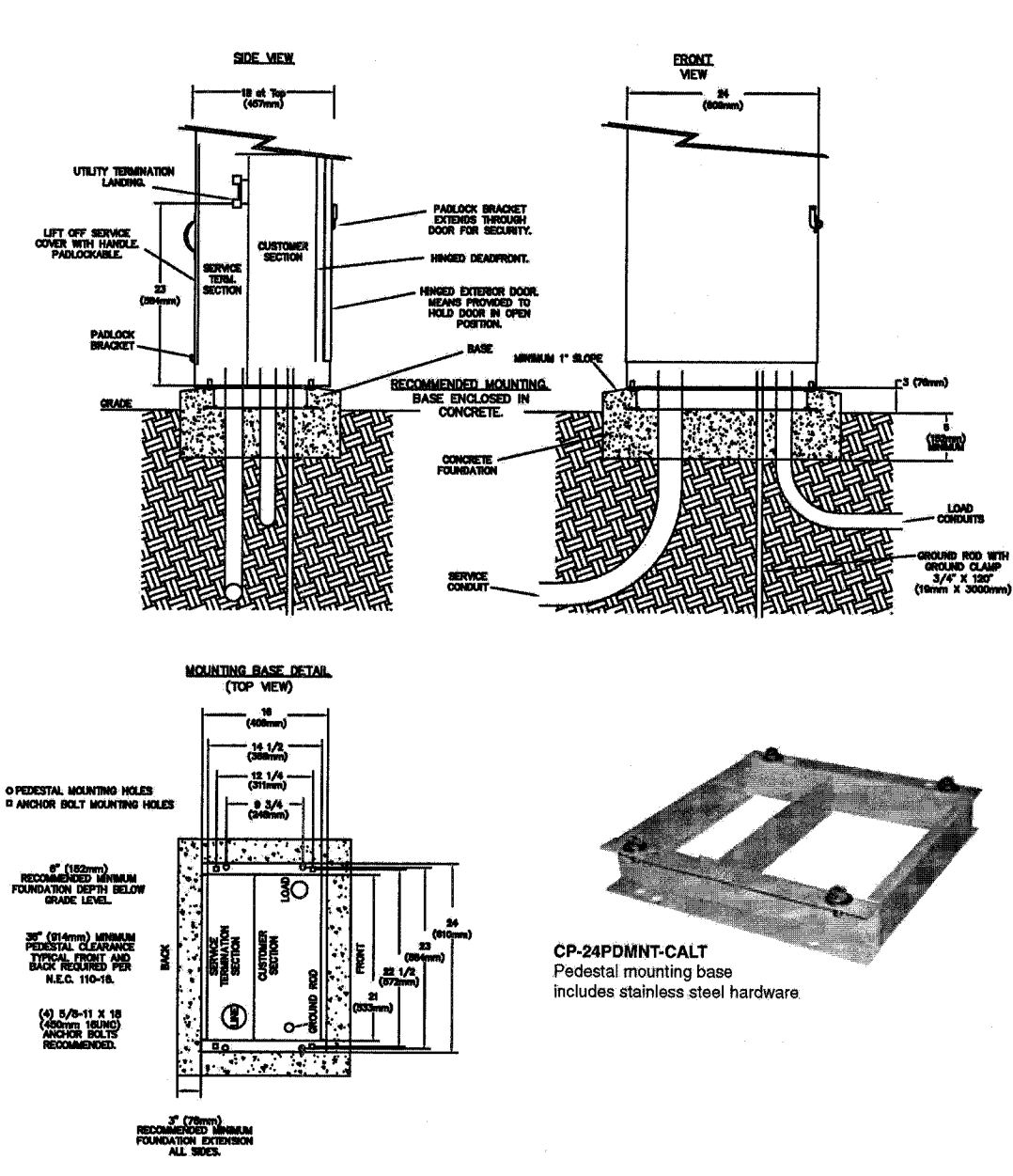
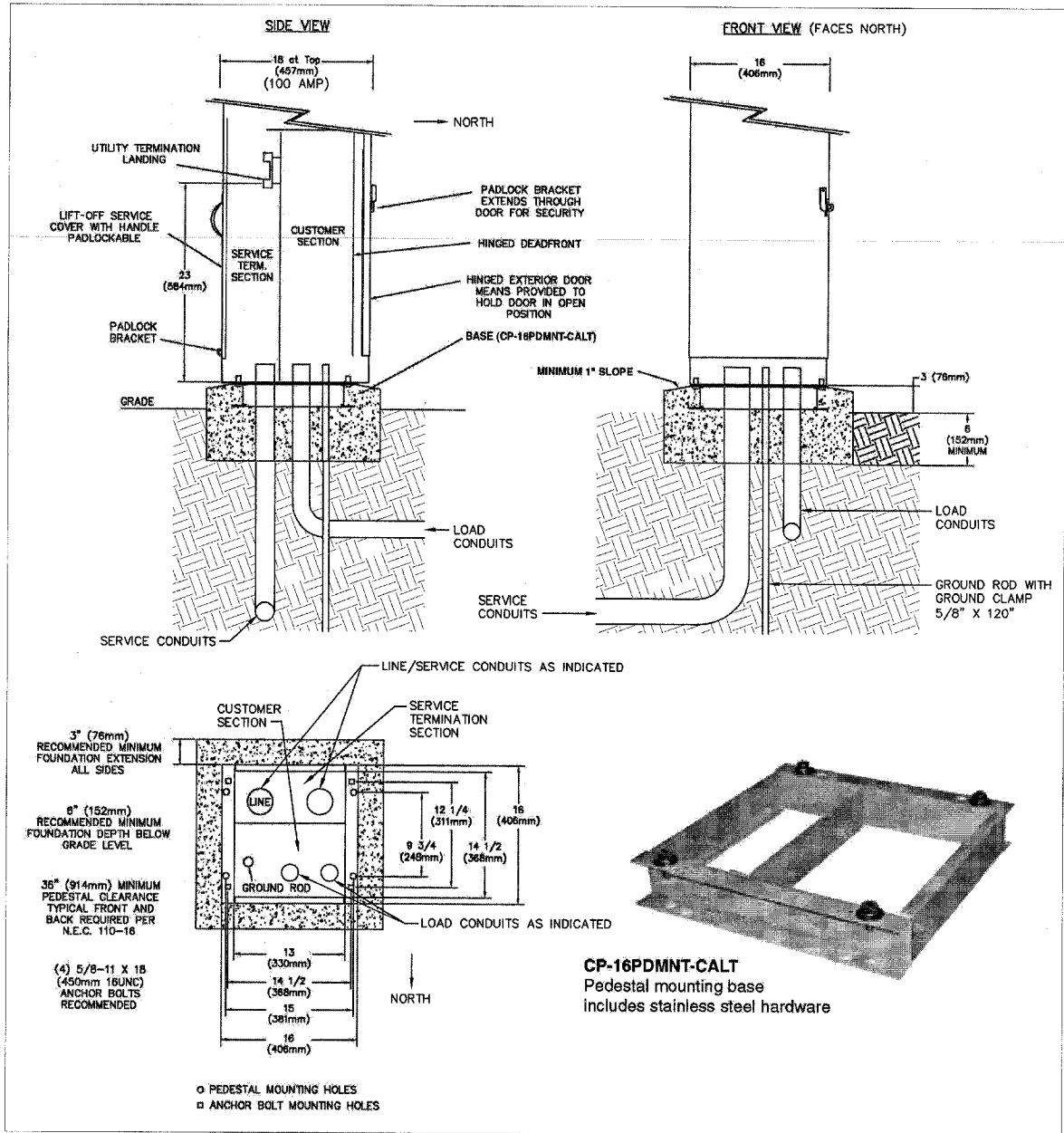


Signature: \_\_\_\_\_  
 Expiration Date: \_\_\_\_\_

REV	DATE	DESCRIP

SHEET TITLE <b>ELECTRICAL DETAILS</b>	PROJECT TITLE <b>BELLEVILLE SQUARE CITY OF BELLEVILLE ST. CLAIR COUNTY, ILLINOIS</b>
	DESIGNED BY: ESF DRAWN BY: GYK/BSF CHECKED BY: BEC DATE OF PRELIMINARY: 08/17/2007 DATE OF FINAL: _____
PROJECT NUMBER 07-0041	SHEET <b>43</b> E4.4
SHEET NO. 12 OF 13 SHEETS	



- GENERAL NOTES**
- CONTRACTOR SHALL LOCATE ALL EXISTING UTILITIES PRIOR TO BEGINNING CONSTRUCTION.
  - UNLESS NOTED OTHERWISE, ALL CONDUIT SHALL BE PVC.
  - ROUTE CONDUITS AROUND TREE PLANTING AREAS.
  - ALL LIGHTING SHALL REMAIN OPERATIONAL UNTIL NEW IS INSTALLED AND MADE OPERATIONAL.
- KEYED NOTES**
- 1 AFTER INSTALLATION OF NEW CONDUIT(S), BACKFILL TRENCH(ES) WITH CRUSHED STONE BACKFILL.