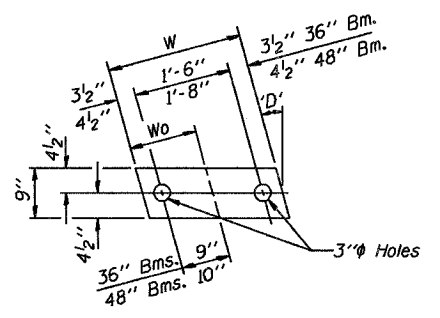
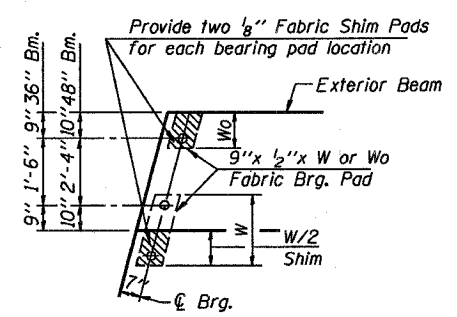
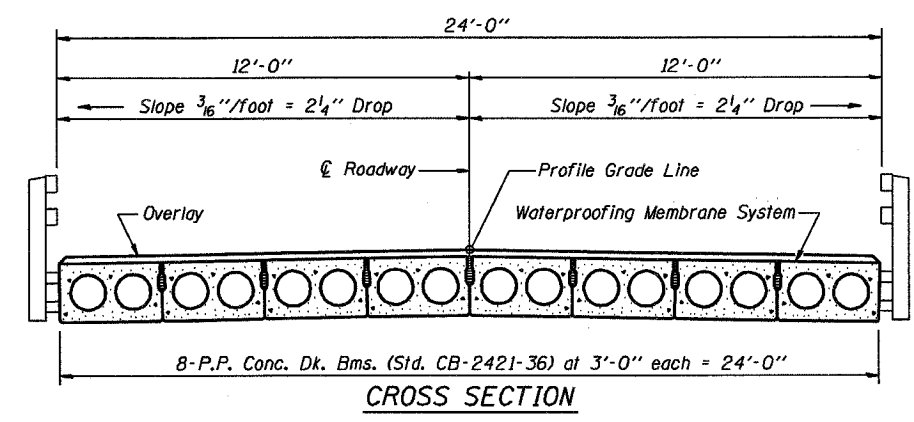


TYPICAL ELEVATIONS

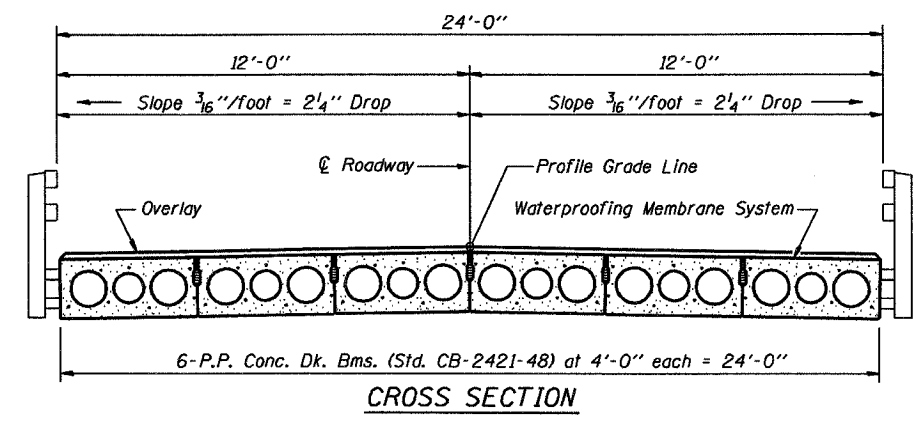


Beam	W	Wo
36"	2'-1"	1'-0 1/2"
48"	2'-5"	1'-2 1/2"

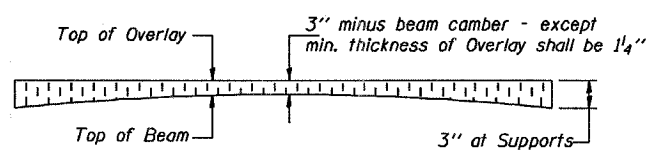
1/2" FABRIC BRG. PAD DETAILS



CROSS SECTION



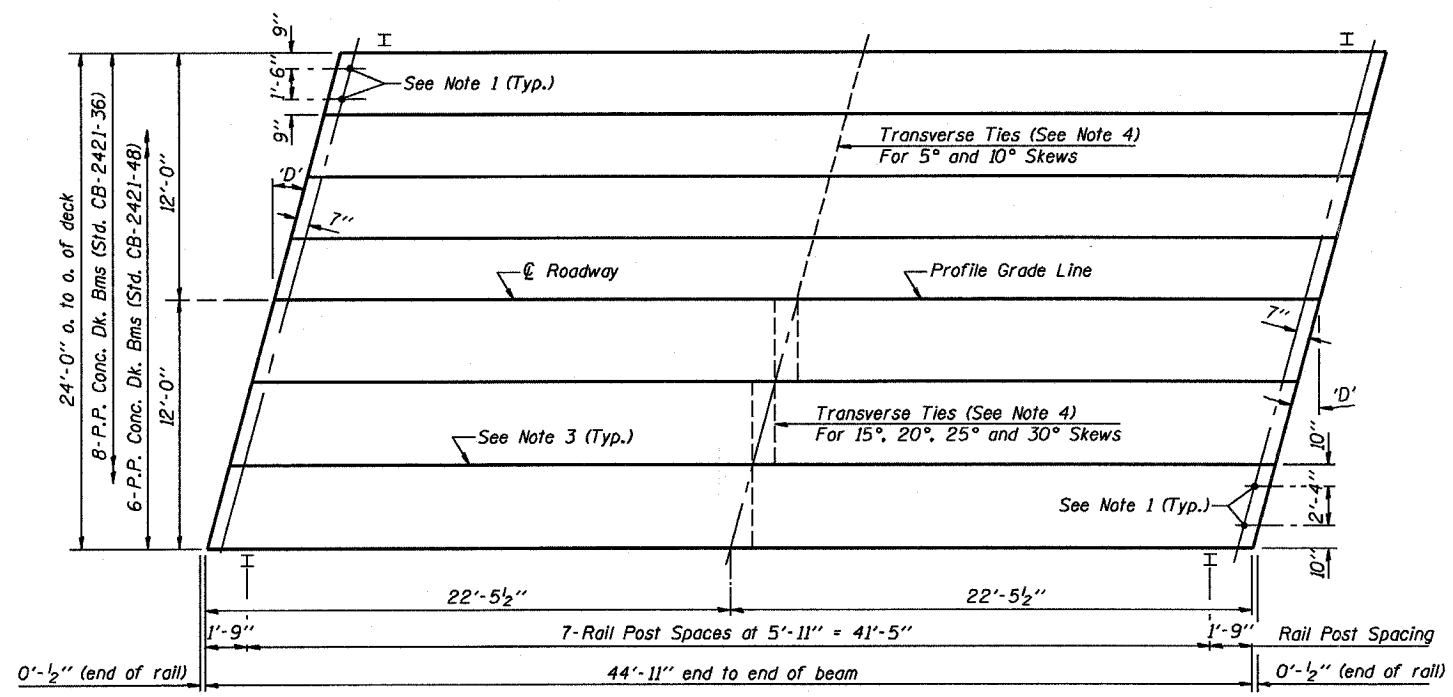
CROSS SECTION



PROFILE OF OVERLAY

DIMENSIONS 'A' AND 'B'

'D'	5°	10°	15°	20°	25°	30°
A	1 1/2"	1 5/8"	1 3/4"	1 7/8"	2 1/4"	2 5/8"
B	7 1/2"	7 5/8"	7 3/4"	8"	8 1/4"	8 5/8"

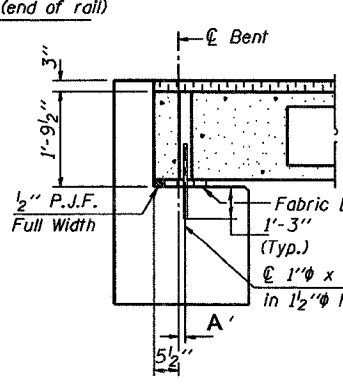


PLAN

('D' = Designated Skew Angle)

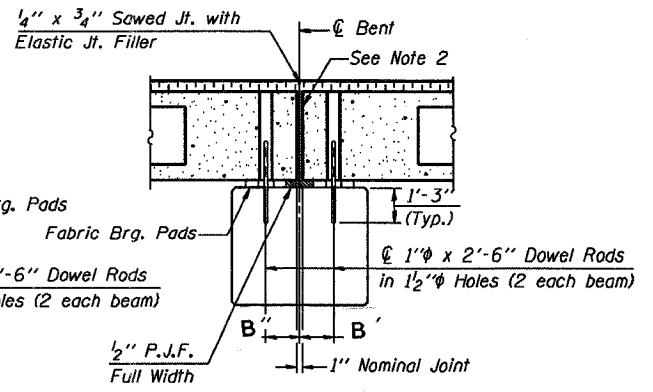
NOTES

1. After beams have been erected, holes shall be drilled into substructure and anchor dowels placed. Dowel holes shall be filled with non-shrink grout to top of beam and allowed to cure min. 24 hrs. prior to grouting the shear keys.
2. Nominal 1" joint at centerline of Pier shall be filled with non-shrink grout.
3. Longitudinal keys shall be grouted.
4. The 1" diameter rods in the transverse tie assembly shall be tightened to a snug fit and the threads set. Pockets that receive transverse tie bar outside shall be filled with grout after transverse tie assembly is in place.



SECTION AT ABUTS.

(Along centerline of Beams)



SECTION AT PIERS

(Along centerline of Beams)

QUANTITIES FOR ONE SPAN

P.P. Conc. Dk. Bm. 21" Dp.	1080 Sq. Ft.
Steel Railing	90 Ft.
Waterproofing Membrane System	1200 Sq. Yds.
Portland Cement Mortar	315 Ft. 36"
Fairing Course	225 Ft. 48"

Note: Quantity of overlay for one span = 15.3 Tons

P.P.C. DECK BEAM SUPERSTRUCTURE

24' RDWY.	21" BMS.	45' SPAN	LEFT
-----------	----------	----------	------

STANDARD CS-2421-45L

Illinois Department of Transportation  
 PASSED APRIL 4, 2005  
 Theresia Romagosa  
 Engineer of Bridge Design  
 APPROVED APRIL 4, 2005  
 Ralph E. Anderson  
 Engineer of Bridges and Structures