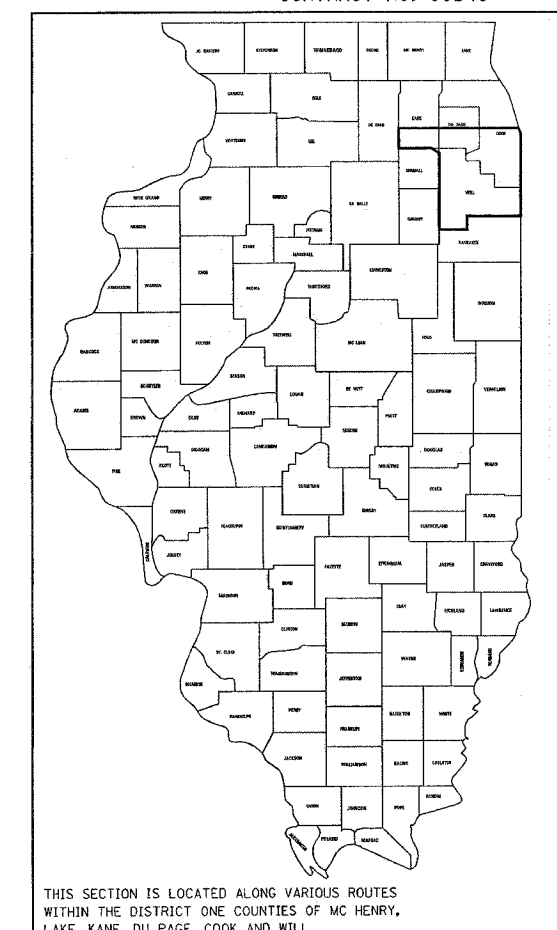


STATE OF ILLINOIS  
DEPARTMENT OF TRANSPORTATION  
DIVISION OF HIGHWAYS  
PLANS FOR PROPOSED HIGHWAY

FOR INDEX OF SHEETS, SEE SHEET 2

FA. RTE.	SECTION	COUNTY	TOTAL SHEETS	SHEET NO.
VAR.	2006-016 I	VARIOUS	13	1

D-91-330-06  
CONTRACT NO. 60B40



SCALES { PLAN  
PROFILE HORIZ.  
PROFILE VERT.  
CROSS SECTIONS

ROUTE: VARIOUS EXPRESSWAYS AND ARTERIAL  
HIGHWAYS – SOUTHERN PART, DISTRICT ONE  
SECTION: 2006-016 I  
FENCE REPAIR  
COUNTY: VARIOUS DISTRICT WIDE  
C-91-330-06

SEE LOCATION MAPS  
SHEETS 4 THRU 7

STATE OF ILLINOIS  
DEPARTMENT OF TRANSPORTATION  
DIVISION OF HIGHWAYS

SUBMITTED Sept 11, 2006  
Diana O'Keefe / cad  
DEPUTY DIRECTOR OF HIGHWAYS/SECTION ENGINEER

October 13, 2006  
Mike New / RD  
ENGINEER OF DESIGN AND ENVIRONMENT

October 13, 2006  
Milton R. Sano, P.E. / RD  
DIRECTOR DIVISION OF HIGHWAYS

PRINTED BY AUTHORITY OF THE  
STATE OF ILLINOIS

REGION ONE – BUREAU OF DESIGN:  
PLAN PREPARATION ENGINEER: K. ENG/ R. BORO (847) 705-4178

CONTRACT NO. 60B40

VARIOUS ROUTES SECTION 2006-016 I COUNTY: VARIOUS

F.A. RFD-1	SECTION	COUNTY	TOTAL SHEETS	SHEET NO.
RTS	2006-016 J	VARIOUS	11	2
VAR	STA. TO STA.			
FED. ROAD DIST. NO. ILLINOIS FED. AID PROJECT				

**INDEX OF SHEETS**

1. TITLE SHEET
2. INDEX OF SHEETS  
LIST OF APPLICABLE STATE STANDARDS
3. SUMMARY OF QUANTITIES
4. COOK COUNTY (SOUTH OF ILL. 38) LOCATION MAP
5. DUPAGE COUNTY (SOUTH OF ILL. 38) LOCATION MAP
6. KANE COUNTY (SOUTH OF ILL. 38) LOCATION MAP
7. WILL COUNTY LOCATION MAP
8. DETAILS OF PEDESTRIAN BARRIER TYPE III (STD. 10-SS-514R)
9. CHAIN LINK FENCE (STD. 10-SS-506B)
10. CHAIN LINK FENCE POST SLEEVE REPAIR DETAIL
11. PROPOSED PEDESTRIAN BARRIER AND CHAIN LINK FENCE WITH TENSION WIRE AND FENCE RAIL REMOVAL
12. SPECIAL DETAILS
13. TRAFFIC CONTROL DETAILS FOR SHOULDER CLOSURE AND PARTIAL RAMP CLOSURES

**STATE STANDARDS**

- 664001-01
- 665001-01
- 701001-01
- 701006-02
- 701101-01
- 701106-01
- 701201-02
- 701301-02
- 701400-02
- 701401-03
- 701411-03
- 701421-01
- 701422-01
- 701501-03
- 701606-04
- 701701-04
- 701801-03

PLOT DATE = 9/29/2006  
 PLOT SCALE = 52.704 / IN.  
 USER NAME = ritchie

REVISIONS	
NAME	DATE

ILLINOIS DEPARTMENT OF TRANSPORTATION  
 INDEX OF SHEETS AND  
 LIST OF STATE STANDARDS

SCALE: VERT.    DRAWN BY  
 DATE    HORIZ.    CHECKED BY

Rev.

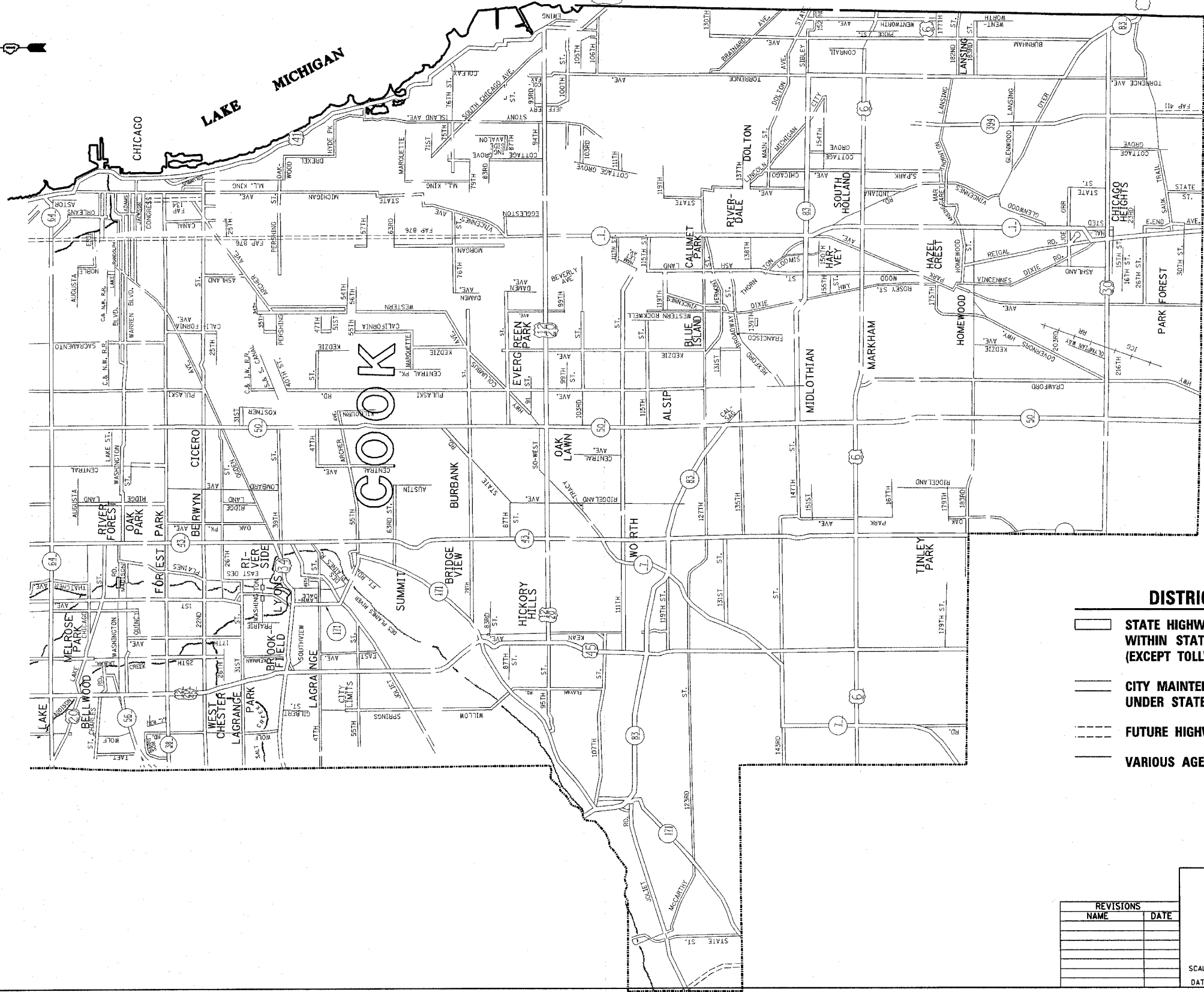
F.A. RTE.	SECTION	COUNTY	TOTAL SHEETS	SHEET NO.
JAR	2006-006.1	VARIGUE	12	3
STA.	TO STA.			
FED. ROAD DIST. NO.	ILLINOIS	FED. AID PROJECT		

100% STATE URBAN

CODE NO.	ITEM DESCRIPTION	UNIT	TOTAL	100% STATE URBAN	
				CONT. MAINT.	MCHD
66400505	CHAIN LINK FENCE, 8'	FOOT	215	170	45
66410300	CHAIN LINK FENCE REMOVAL	FOOT	50	40	10
66410705	CHAIN LINK GATES (SPECIAL)	SQ FT	875	700	175
66500105	WOVEN WIRE FENCE, 4'	FOOT	2500	2000	500
X0300160	PULL POST ARRANGEMENT	EACH	2	1	1
X0321153	CHAIN LINK FENCE POST SLEEVE REPAIR	EACH	50	40	10
X6640100	FENCE RAIL REMOVAL	FOOT	2000	1600	400
Z0009600	CHAIN LINK FABRIC, SPECIAL, 5'-0"	FOOT	25	20	5
Z0009700	CHAIN LINK FABRIC, SPECIAL, 6'-0"	FOOT	1600	1320	280
Z0009800	CHAIN LINK FABRIC, SPECIAL, 7'-0"	FOOT	10	8	2
Z0009810	CHAIN LINK FABRIC, SPECIAL, 8'-0"	FOOT	75	60	15
Z0009900	CHAIN LINK FABRIC, TYPE 1, 4'-0"	FOOT	21000	16800	4200
Z0010300	CHAIN LINK FABRIC, TYPE 3, SPECIAL	FOOT	500	400	100
Z0033200	LINE POST, TYPE 1	EACH	900	720	180
Z0033305	LINE POST, TYPE 3 (SPECIAL)	EACH	25	20	5
Z0042500	POST, SPECIAL	EACH	75	60	15
Z0042505	POST REMOVAL AND REPLACEMENT	EACH	5	4	1
Z0074000	TERMINAL POST, TYPE 1	EACH	50	40	10
Z0074010	TERMINAL POST, TYPE 3 SPECIAL	EACH	5	4	1

REVISIONS		ILLINOIS DEPARTMENT OF TRANSPORTATION
NAME	DATE	
		SUMMARY OF QUANTITIES
SCALE:	VERT. DATE	HORIZ. DRAWN BY CHECKED BY

PLOT DATE = 9/28/2006  
 FILE NAME = c:\wps\picta\m47393\m47393sum32  
 USER NAME = jkashner



P.A. NO.	SECTION	COUNTY	TOTAL SHEETS	SHEET NO.
VAR. 2006-016 I	*	13	4	
STA. TO STA.				
FED. ROAD DIST. NO.	ALTIMET	FED. AID PROJECT		
* COOK, DUPAGE, KANE AND WILL CONTRACT NO. 60B40				

**DISTRICT NO. 1**

- STATE HIGHWAYS & EXPRESSWAYS WITHIN STATE JURISDICTION. (EXCEPT TOLLWAYS)
- CITY MAINTENANCE AGREEMENTS UNDER STATE JURISDICTION
- FUTURE HIGHWAYS
- VARIOUS AGENCIES HIGHWAYS

ILLINOIS DEPARTMENT OF TRANSPORTATION  
SOUTHERN PART, DISTRICT 1

FENCE REPAIR  
LOCATION MAP  
COOK COUNTY  
SOUTH OF ILL. RTE. 38

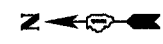
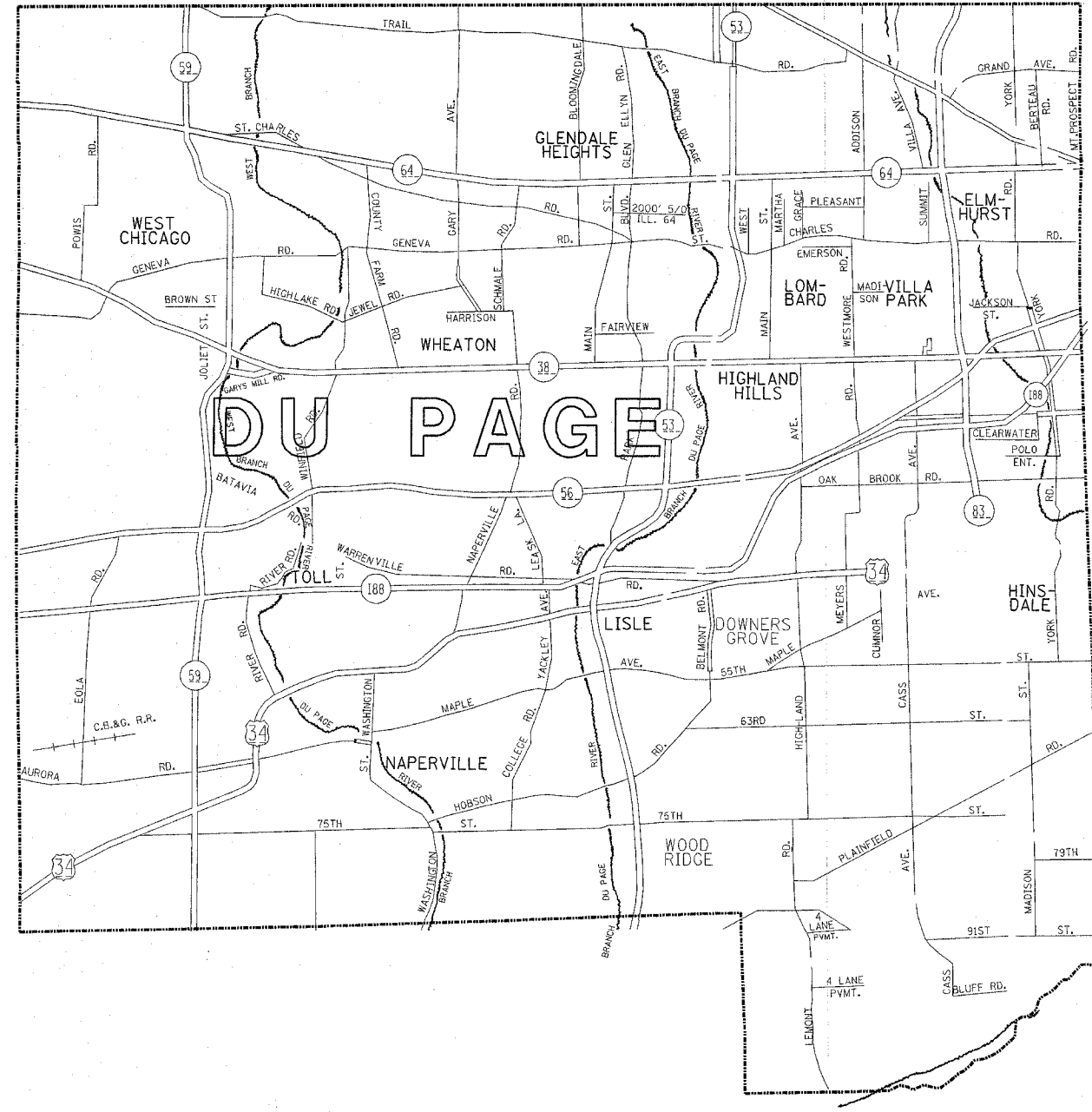
SCALE: 1"=3 MILES  
DATE: 9/28/2006

DRAWN BY  
CHECKED BY

REVISIONS	
NAME	DATE

P.L. REF.	SECTION	COUNTY	TOTAL SHEETS	SHEET NO.
VAR. 2006-016 I	*	13	5	
STA.	TO STA.			
FED. ROAD DIST. NO.	BLMDS	FED. AID PROJECT		

\*WILL. KANE, DU PAGE AND COOK  
CONTRACT NO. 60B40



**DISTRICT NO. 1**

- CITY MAINTENANCE AGREEMENTS UNDER STATE JURISDICTION
- - - FUTURE HIGHWAYS
- VARIOUS AGENCIES HIGHWAYS

REVISIONS	
NAME	DATE

ILLINOIS DEPARTMENT OF TRANSPORTATION  
NORTHERN PART, DISTRICT 1

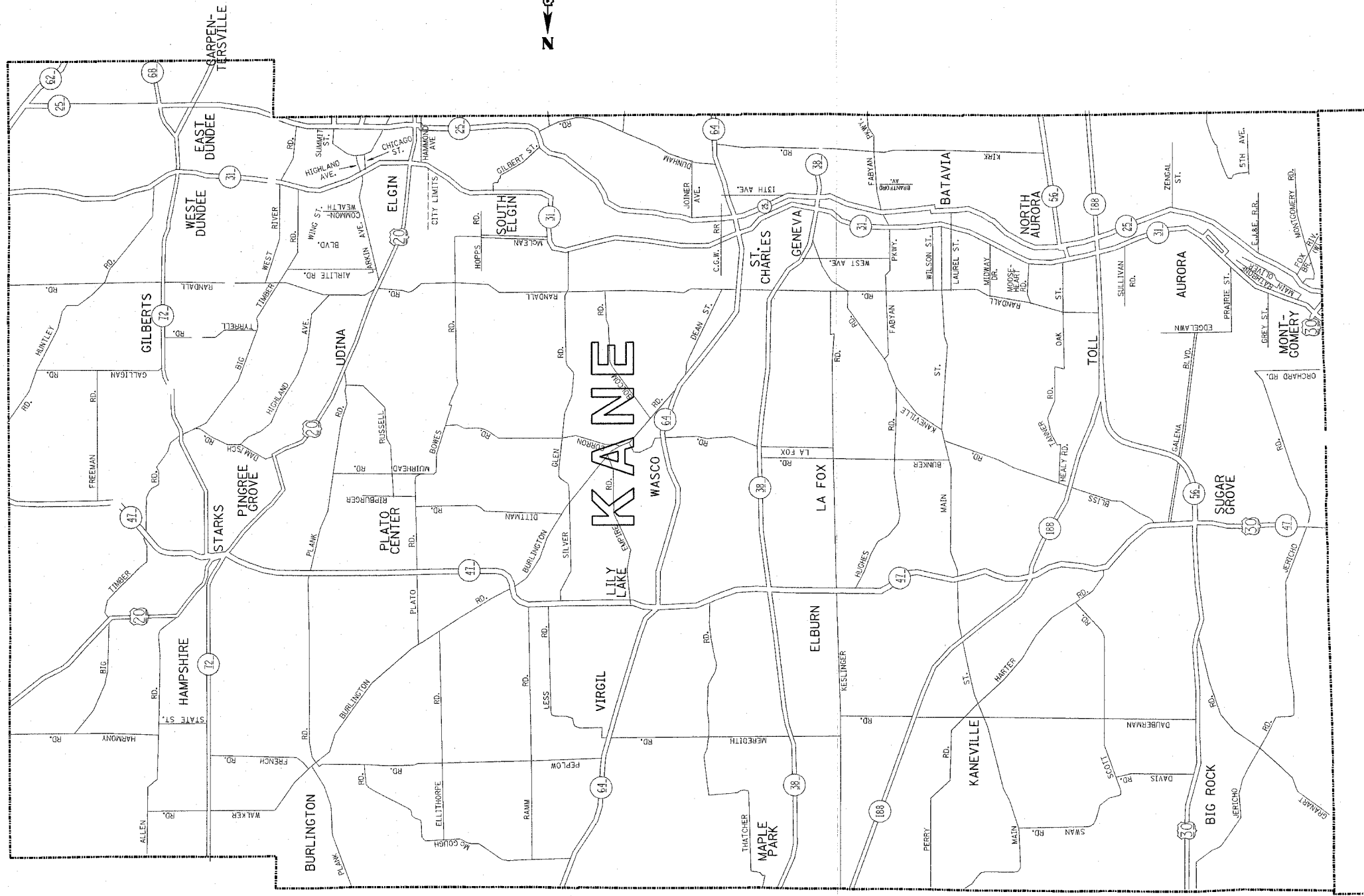
**FENCE REPAIR  
DU PAGE COUNTY  
SOUTH OF IL. ROUTE 38**

SCALE: 1"=1.5 MILES  
DATE: 9/28/2006

DRAWN BY  
CHECKED BY

F.A. NO.	SECTION	COUNTY	TOTAL SHEETS	SHEET NO.
VAR. 2006-016 1	*	13	6	
STA.	TO STA.			
FED. ROAD DIST. NO.	ELIMES	FED. AID PROJECT		

\* KANE, DU PAGE, COOK AND WILL  
CONTRACT NO. 62958



**DISTRICT NO. 1**

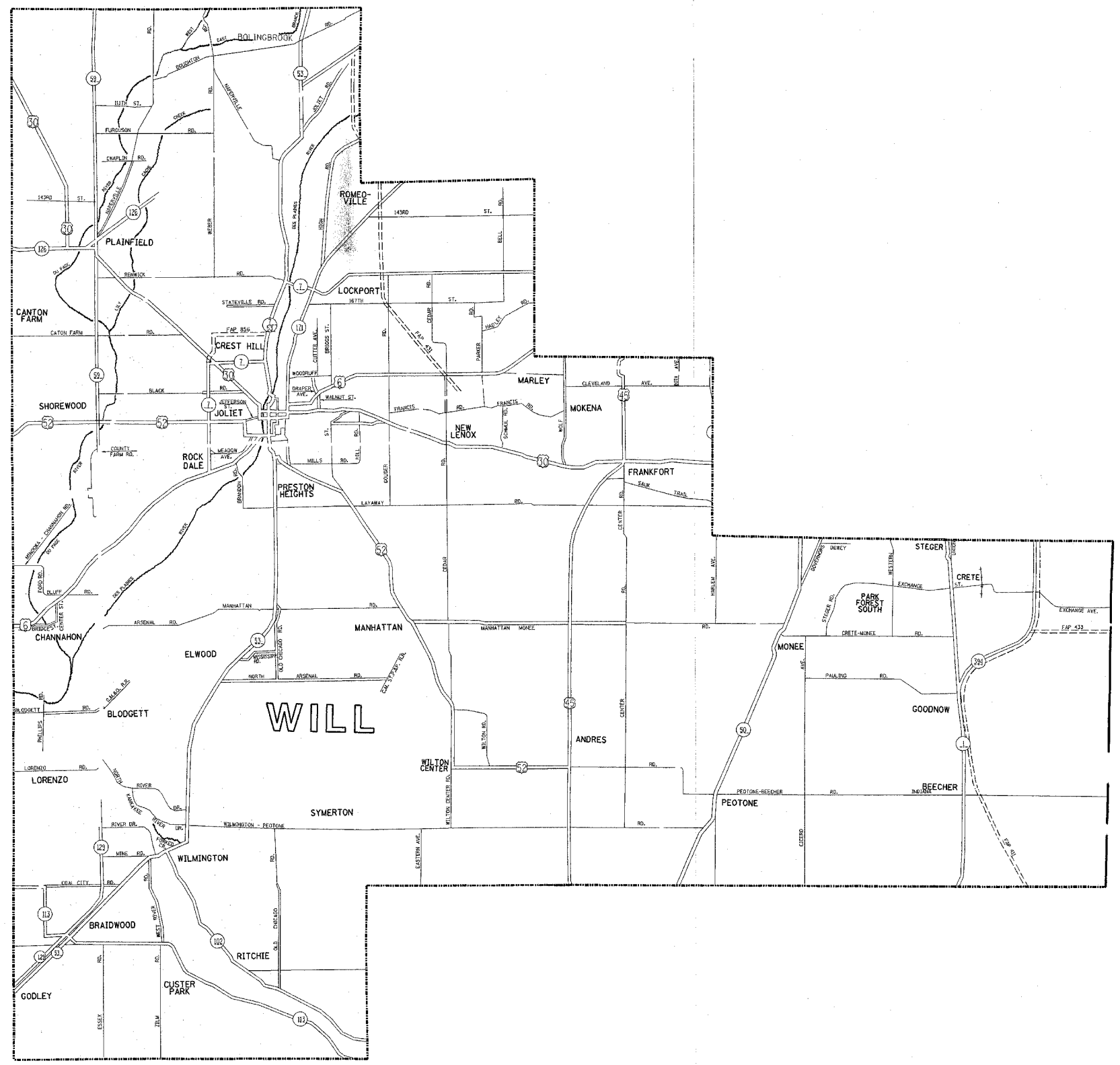
- FUTURE HIGHWAYS
- VARIOUS AGENCIES HIGHWAYS

REVISIONS	
NAME	DATE

ILLINOIS DEPARTMENT OF TRANSPORTATION  
SOUTHERN PART, DISTRICT 1  
**FENCE REPAIR  
LOCATION MAP  
KANE COUNTY  
SOUTH OF IL. ROUTE 38**  
SCALE: 1"=1.5 MILES  
DATE: 9/28/2006  
DRAWN BY  
CHECKED BY

F. A. NO.	SECTION	COUNTY	TOTAL SHEETS	SHEET NO.
VAR.	2006-016 I	*	13	7
STA.	TO STA.			
FED. ROAD DIST. NO.	ILLINOIS	FED. AID PROJECT		

\* KANE, DU PAGE, COOK AND WILL  
CONTRACT NO. 60B40



### DISTRICT NO. 1

- STATE HIGHWAYS & EXPRESSWAYS WITHIN STATE JURISDICTION. (EXCEPT TOLLWAYS)
- CITY MAINTENANCE AGREEMENTS UNDER STATE JURISDICTION
- FUTURE HIGHWAYS
- VARIOUS AGENCIES HIGHWAYS

REVISIONS	
NAME	DATE

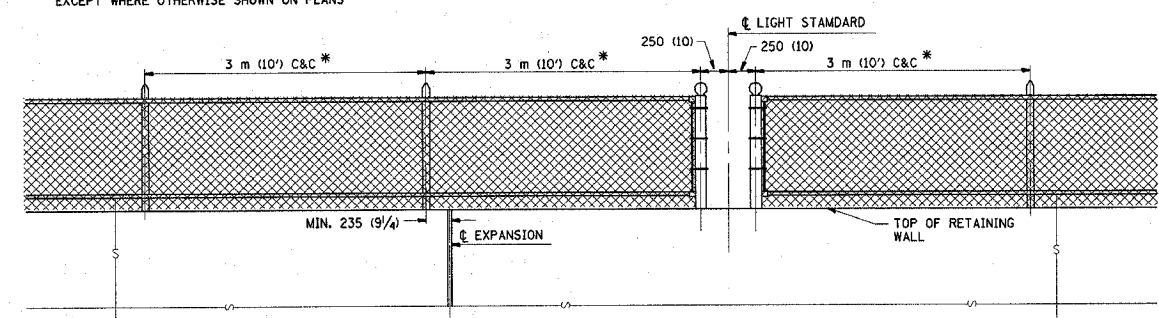
ILLINOIS DEPARTMENT OF TRANSPORTATION  
SOUTHERN PART, DISTRICT 1

FENCE REPAIR  
LOCATION MAP  
WILL COUNTY

SCALE: 1"=2 MILES  
DATE: 9/28/2006

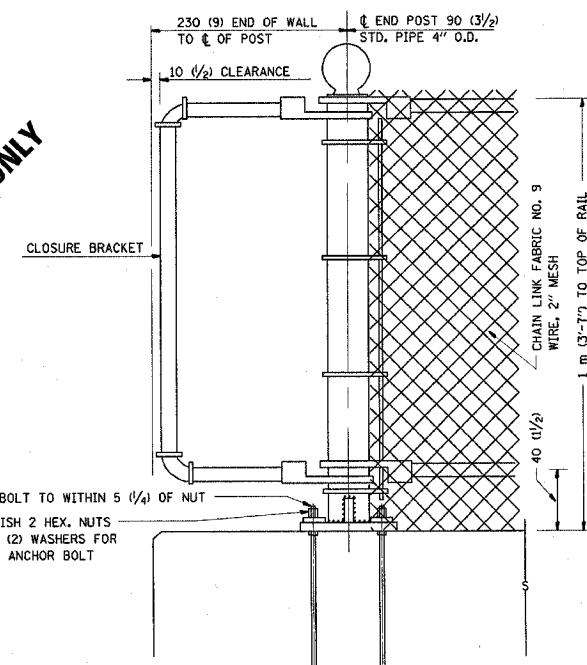
DRAWN BY  
CHECKED BY

NOTE  
 \* MAXIMUM POST SPACING SHALL BE 3 m (10') C&C EXCEPT WHERE OTHERWISE SHOWN ON PLANS



ELEVATION VIEW OF RETAINING WALL WITH PEDESTRIAN BARRIER TYPE III

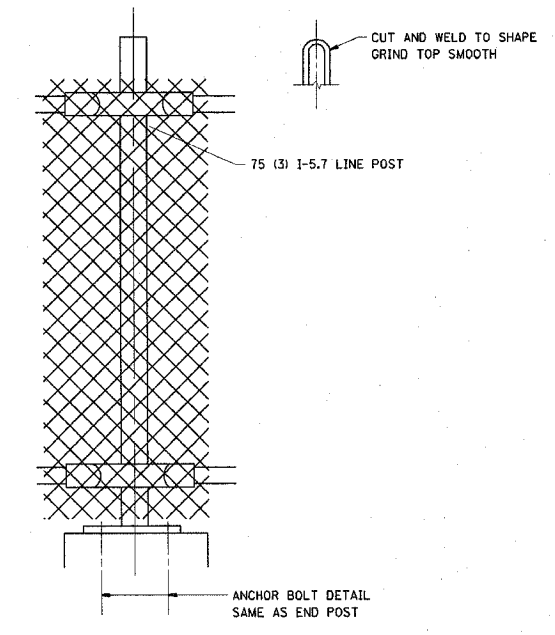
FOR INFORMATIONAL PURPOSES ONLY



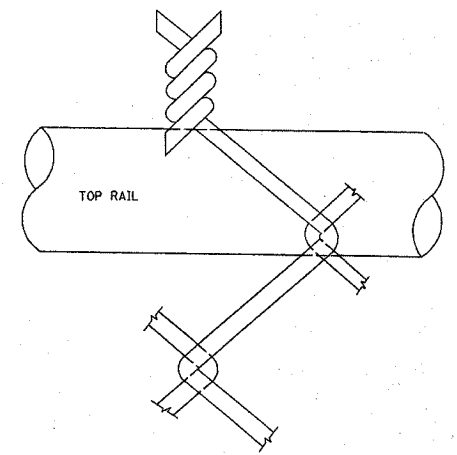
20 (3/4) Ø 360 (1'-2") ANCHOR BOLTS FURNISH 4 BOLTS EACH POST PLACE BOLTS IN FORM BEFORE POURING WALL CONCRETE.

END POST

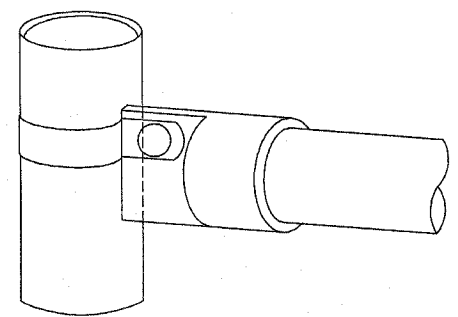
NOTE:  
 THE COST OF FURNISHING ANCHOR BOLTS, NUTS, & WASHERS TO BE INCIDENTAL



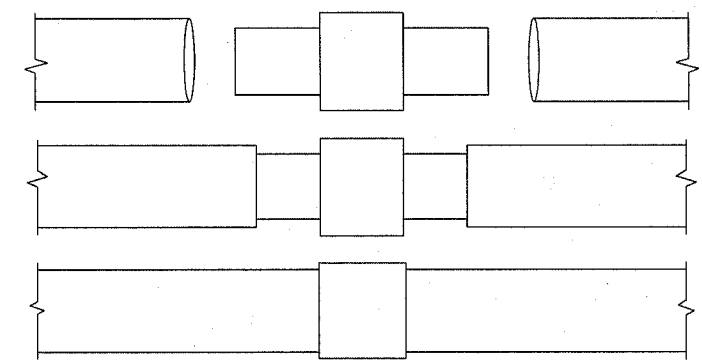
LINE POST



WIRE MESH FABRIC TO BE BARBED AT THE TOP

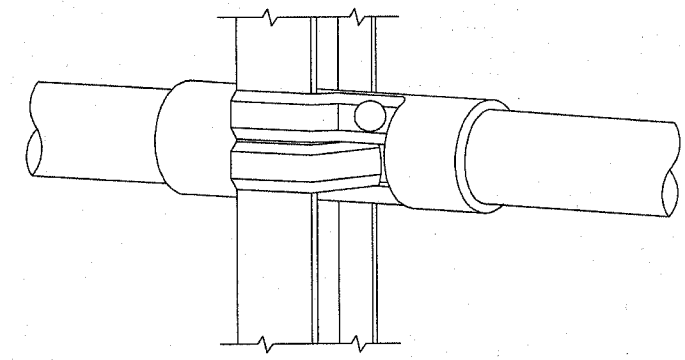


RAIL FITTING AT END POSTS

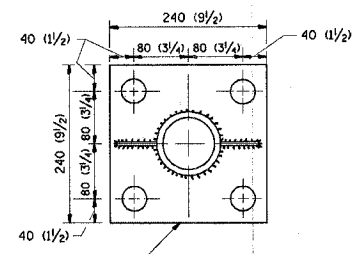


EXPANSION COUPLING DETAIL

NOTE:  
 EXP. COUPLING TO APPEAR IN TOP AND BOTTOM RAILS WHERE EVER EXP. JT. APPEARS IN STRUCTURE.



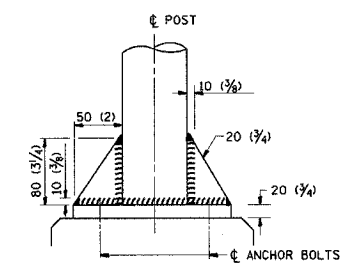
RAIL FITTING ON SECTION LINE POST



240 (9 1/2) X 80 (3 1/4) X 240 (9 1/2) BASE PLATE  
 4-30 (1 1/4) Ø HOLES FOR END & LINE POSTS

ANCHOR PLATE DETAILS

NOTE:  
 POST, PLATE AND GUSSET ASSEMBLY SHALL BE GALVANIZED AFTER ALL CUTTING, DRILLING, WELDING, AND FABRICATION HAVE BEEN COMPLETED. THE GALVANIZED COATING SHALL CONFORM TO THE REQUIREMENTS OF AASHTO M 120. THE GALVANIZED COATING SHALL NOT BE LESS THAN 610 G/50 M (2.0 OZ./50. FT.) OF SURFACE.



ALL DIMENSIONS ARE IN MILLIMETERS (INCHES) UNLESS OTHERWISE SHOWN.

ILLINOIS DEPARTMENT OF TRANSPORTATION  
 PEDESTRIAN BARRIER TYPE III  
 STD. 10-SS-514 R

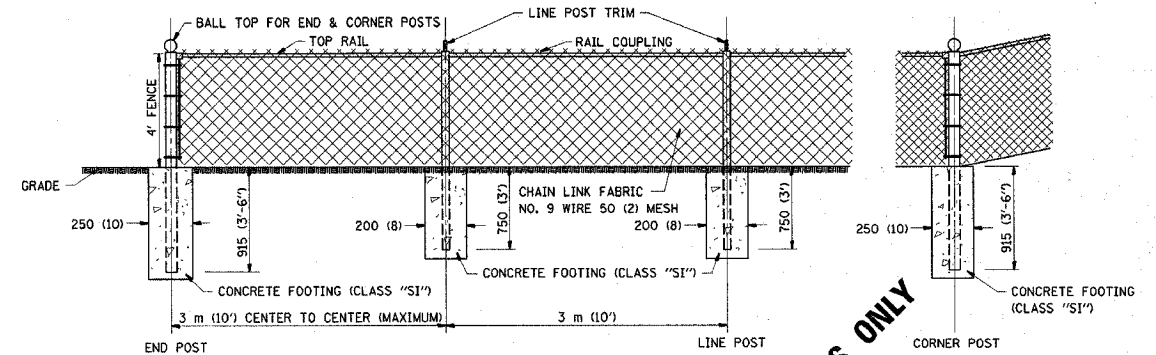
SCALE: NONE  
 DATE: 9/28/2006  
 DRAWN BY: C.A.D.D.  
 CHECKED BY:

REVISIONS	
NAME	DATE



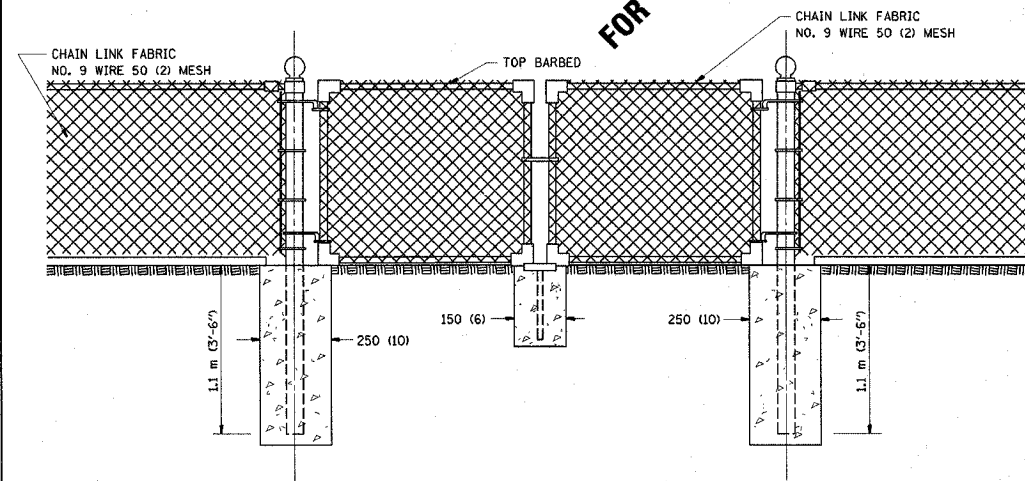
F.A. RTE.	SECTION	COUNTY	TOTAL SHEETS	SHEET NO.
VAR. 2006-016 I		ILLINOIS	13	9
FED. ROAD DIST. NO. ILLINOIS FED. AID PROJECT				

CONTRACT NO. 60B40

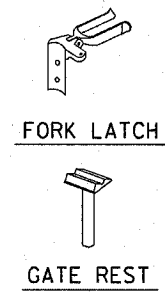


CHAIN LINK FENCE

FOR INFORMATIONAL PURPOSES ONLY



DRIVE GATE 1 m (3'-7") X 3 m (10')



NOTE:  
 THE CHAIN LINK FENCE AS SHOWN HEREIN SHALL BE CONSTRUCTED AT SUCH LOCATIONS AS SHOWN ON PLANS AND IN ACCORDANCE WITH THE SPECIAL PROVISIONS  
 THE ENGINEER SHALL ESTABLISH ALL NECESSARY LINE AND GRADE PRIOR TO THE ERECTION OF THE FENCE IN CONFORMANCE WITH THE PLANS

REVISIONS	
NAME	DATE

ALL DIMENSIONS ARE IN MILLIMETERS (INCHES) UNLESS OTHERWISE SHOWN.

ILLINOIS DEPARTMENT OF TRANSPORTATION

CHAIN LINK FENCE  
 10-SS-506 B

SCALE: NONE  
 DATE: 9/28/2006

DRAWN BY C.A.D.O.  
 CHECKED BY

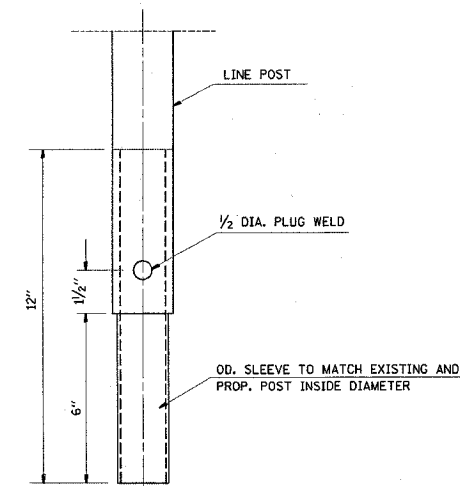
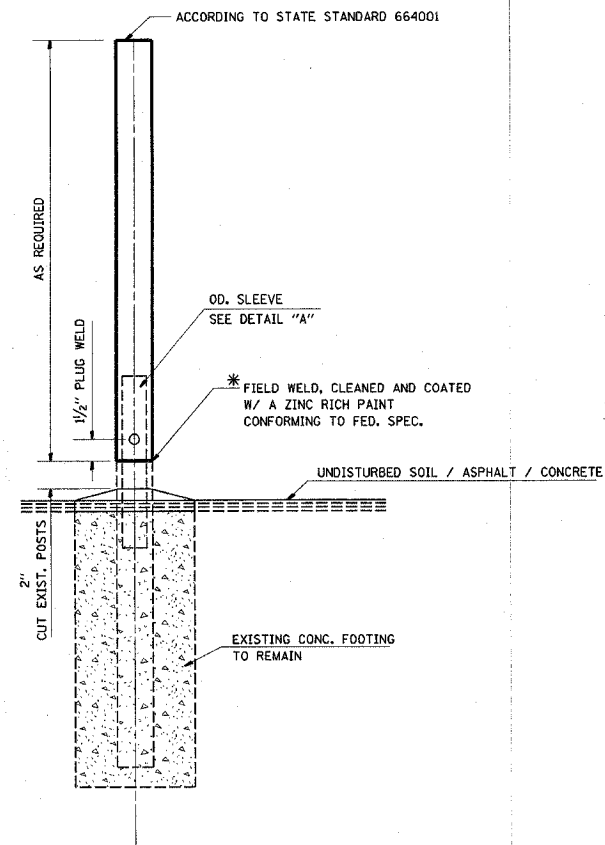
F. & E. NO.	SECTION	COUNTY	TOTAL SHEETS	SHEET NO.
VAR. 2006-016 I	VARIOUS	VARIOUS	13	10
STA.		TO STA.		
FED. ROAD DIST. NO.	ILLINOIS	FED. AID PROJECT		

CONTRACT NO. 60B40

GENERAL NOTES:

THIS WORK CONSISTS OF FURNISHING ALL LABOR, MATERIALS, TOOLS AND EQUIPMENT TO REPAIR CHAIN LINK FENCE POST SLEEVE AS SHOWN ON THE PLANS OR AS DIRECTED BY THE ENGINEER, AND IN ACCORDANCE WITH STATE STANDARD 664001.

BASIS OF PAVEMENT: THIS WORK SHALL BE PAID FOR AT THE CONTRACT UNIT PRICE EACH FOR "CHAIN LINK FENCE POST SLEEVE REPAIR" WHICH PRICE SHALL BE PAYMENT IN FULL TO COMPLETE THE WORK AS SPECIFIED HEREIN.



**SLEEVE DET. DWG**  
DETAIL "A"  
SLEEVE DETAIL

\* THIS WORK SHALL BE INCLUDED IN THE COST OF THE PAY ITEM "CHAIN LINK FENCE POST SLEEVE REPAIR"

REVISIONS	
NAME	DATE

ILLINOIS DEPARTMENT OF TRANSPORTATION

**CHAIN LINK FENCE POST SLEEVE REPAIR DETAIL**

SCALE: NONE  
DATE 9/28/2006

DRAWN BY CADD  
CHECKED BY

CONTRACT NO. 60B40

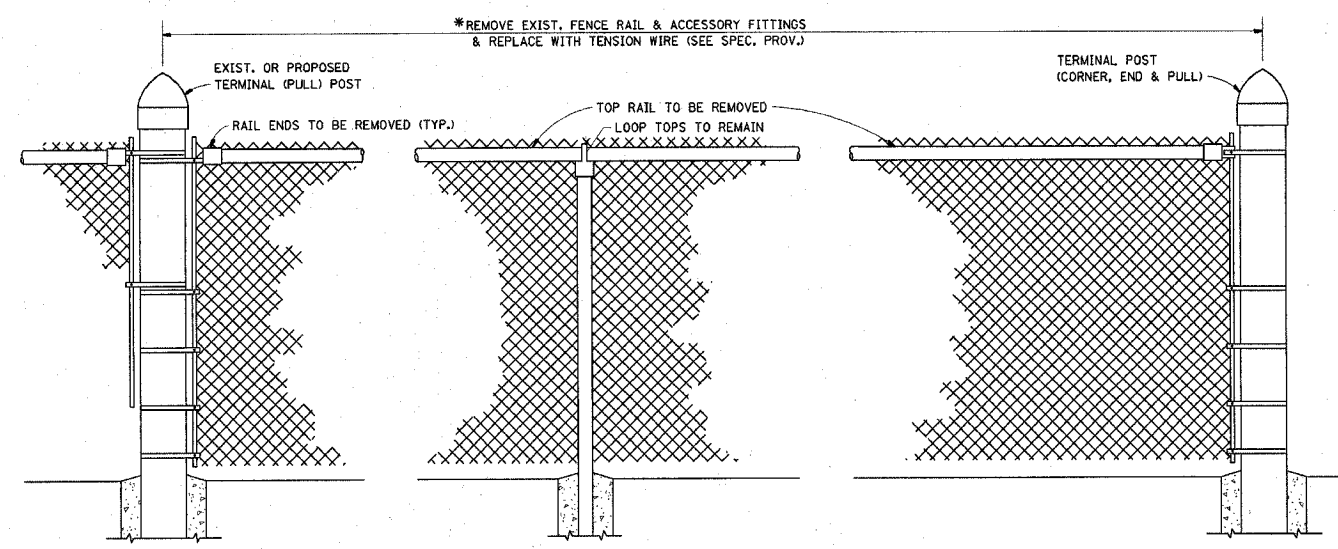
**GENERAL NOTES**

**FENCE RAIL REMOVAL:** THIS ITEM CONSISTS OF REMOVING EXISTING TOP OR BOTTOM RAIL, (DAMAGED OR UNDAMAGED) AND REPLACING WITH TENSION WIRE. BOTTOM TENSION WIRE SHALL BE CONSIDERED INCIDENTAL EXCEPT AT LOCATIONS OF EXISTING BOTTOM RAIL REMOVAL.

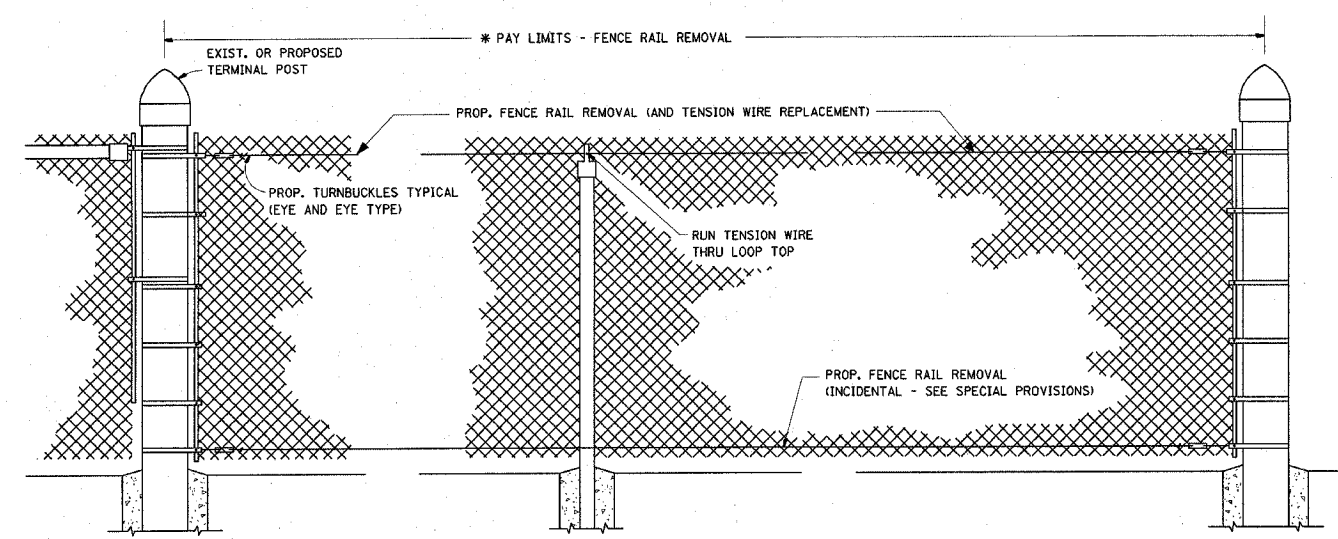
**TENSION WIRE:** THIS ITEM CONSISTS OF INSTALLING TENSION WIRE, TOP OR BOTTOM, WHERE TOP OR BOTTOM RAIL IS NON-EXISTENT, OR WHERE EXISTING DAMAGED TENSION WIRE IS REMOVED AND REPLACED BY NEW TENSION WIRE.

ALL WORK AND MATERIALS SHALL BE IN ACCORDANCE WITH THE PLANS, SPECIAL PROVISIONS, STANDARD SPECIFICATIONS AND STANDARD 664001.

REPLACEMENT OF OTHER FENCE COMPONENT PARTS SHALL BE MEASURED AND PAID FOR SEPARATELY AS DESCRIBED IN THE SPECIAL PROVISIONS.

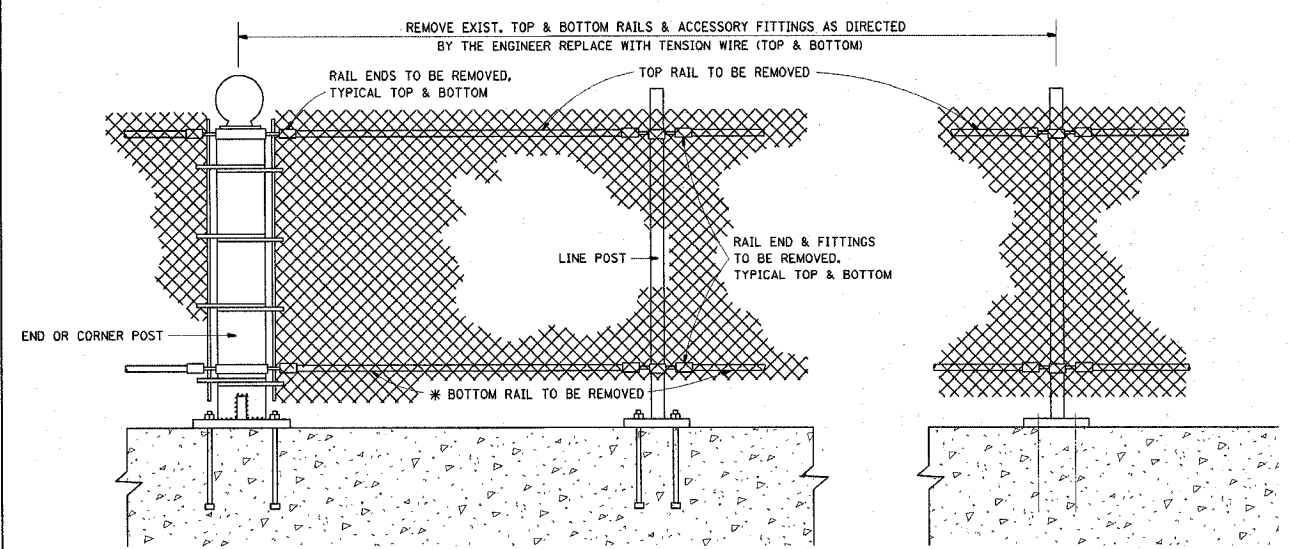


EXIST. CHAIN LINK FENCE WITH TOP RAIL

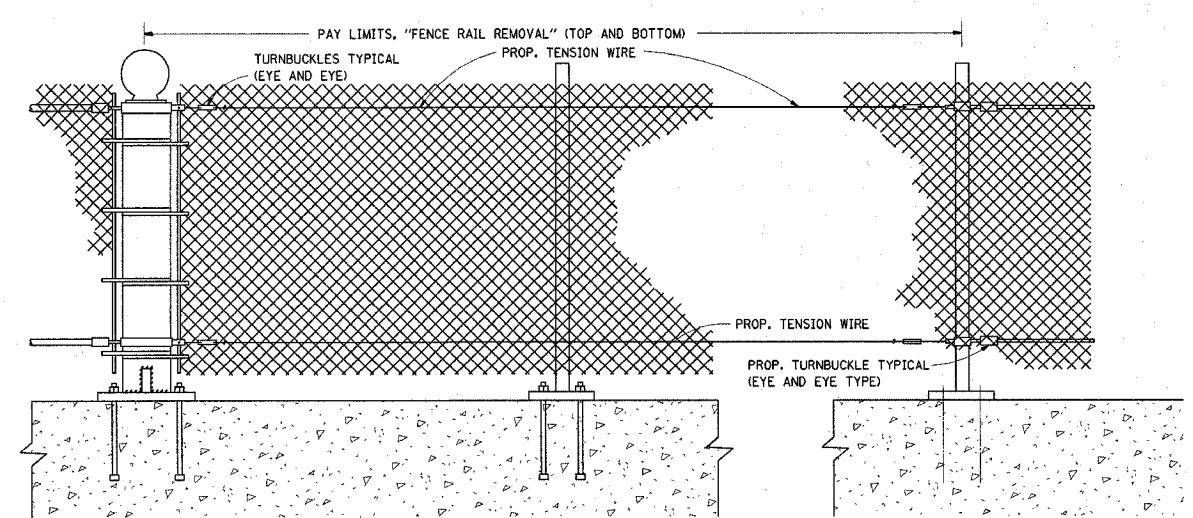


PROP. CHAIN LINK FENCE WITH "FENCE RAIL REMOVAL"

\* THE ENGINEER IN CHARGE SHALL DETERMINE THE LENGTH OF FENCE RAIL TO BE REMOVED & REPLACED WITH "TENSION WIRE"



EXIST. PEDESTRIAN BARRIER TYPE 3 WITH TOP AND BOTTOM RAILS



PROP. PEDESTRIAN BARRIER TYPE 3 WITH FENCE RAIL REMOVAL

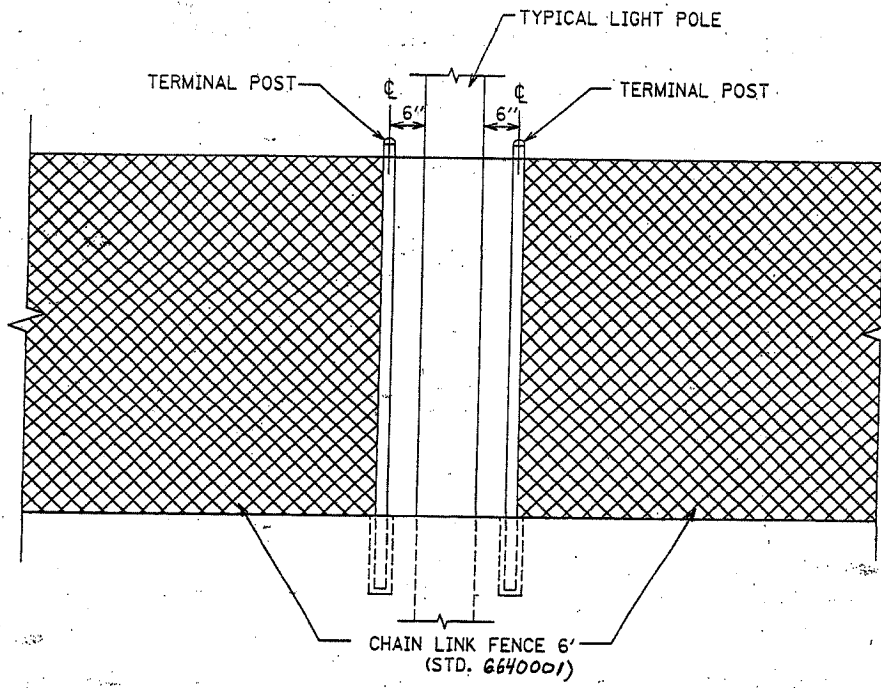
ALL DIMENSIONS ARE IN MILLIMETERS (INCHES) UNLESS OTHERWISE SHOWN.

ILLINOIS DEPARTMENT OF TRANSPORTATION  
**PROPOSED PEDESTRIAN BARRIER AND CHAIN LINK FENCE WITH TENSION WIRE AND FENCE RAIL REMOVAL**

REVISIONS	
NAME	DATE

SCALE: NONE  
 DATE: 9/28/2006  
 DRAWN BY: C.A.D.D.  
 CHECKED BY:

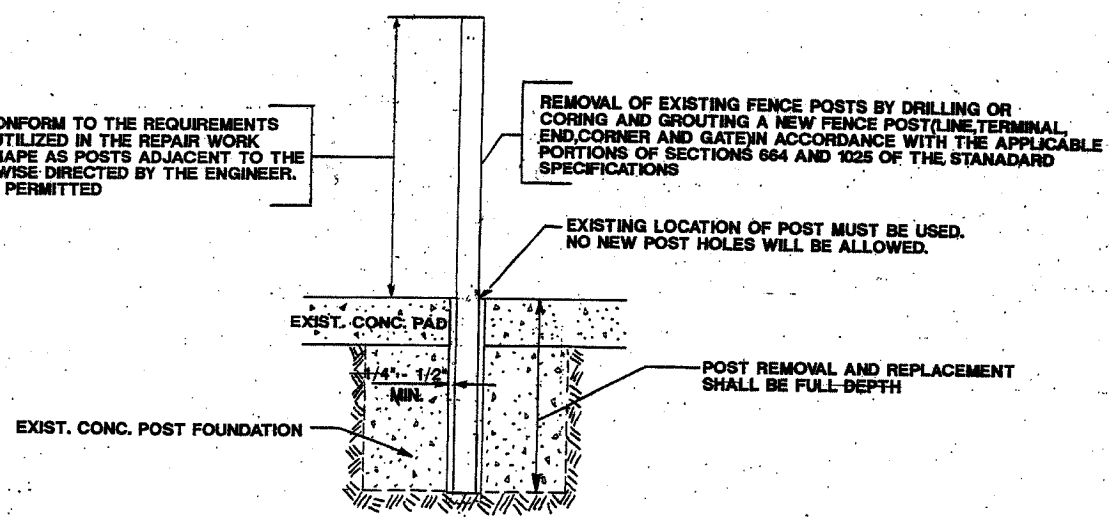
CONTRACT 60840



FENCE CONFLICT WITH LIGHT POLE

N.T.S.

GALVANIZED POSTS SHALL CONFORM TO THE REQUIREMENTS OF STANDARD 664001. POSTS UTILIZED IN THE REPAIR WORK SHALL BE THE SAME TYPE SHAPE AS POSTS ADJACENT TO THE REPAIR AREA UNLESS OTHERWISE DIRECTED BY THE ENGINEER. NO USED MATERIALS WILL BE PERMITTED.



**POST REMOVAL AND REPLACEMENT**

REVISIONS	
NAME	DATE

ILLINOIS DEPARTMENT OF TRANSPORTATION

**SPECIAL DETAILS**

SCALE: VERT. HORIZ.

DATE

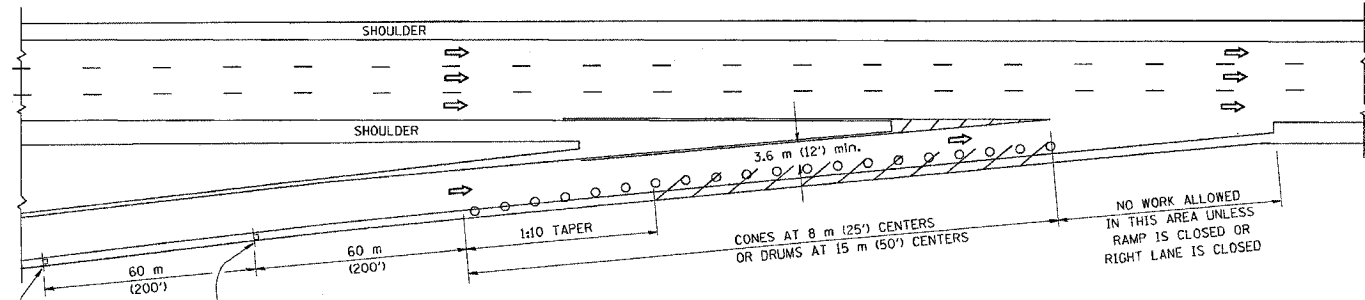
DRAWN BY  
DESIGNED BY  
CHECKED BY

F.A. RTE.	SECTION	COUNTY	TOTAL SHEETS	SHEET NO.
1/1R 2006-016 I	VAH	VAH	13	13
STA.	TO STA.			
FED. ROAD DIST. NO.	ILLINOIS FED. AID PROJECT			

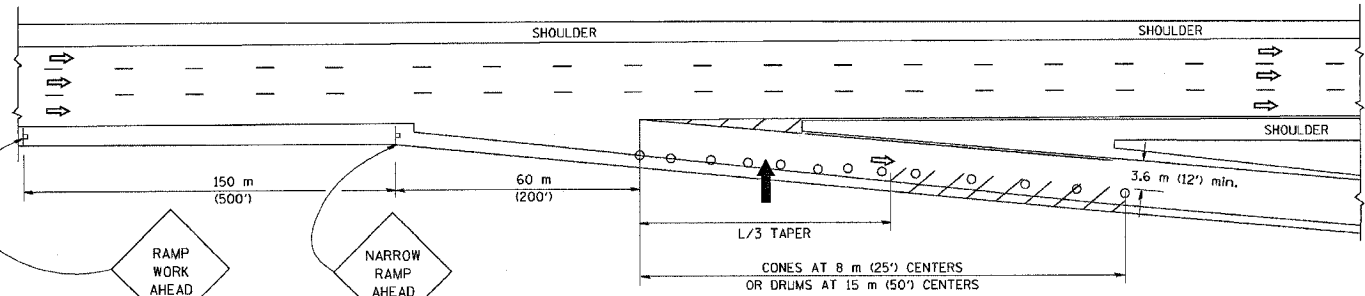
PARTIAL RAMP CLOSURE DETAILS

SHOULDER CLOSURE DETAILS

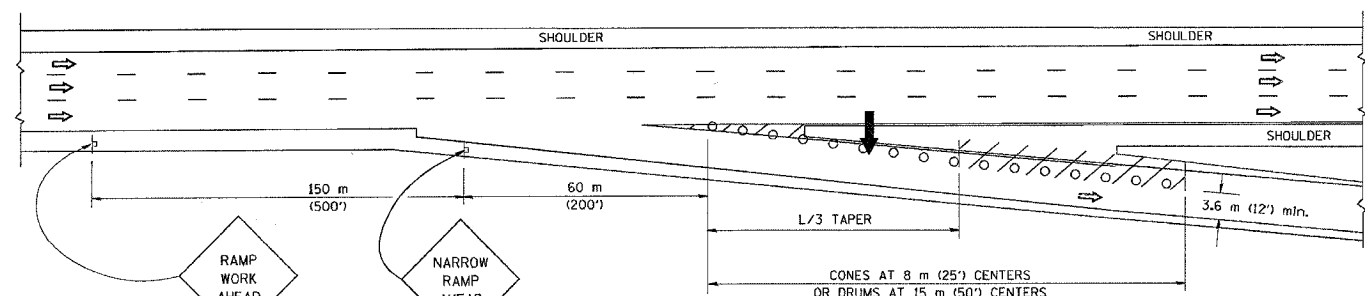
REFLECTIVE 150 (6) EDGE LINE ON LOWER SLOPE OF WALL (LEFT EDGE YELLOW, RIGHT EDGE WHITE)



TYPICAL ENTRANCE RAMP



TYPICAL EXIT RAMP



TYPICAL EXIT RAMP

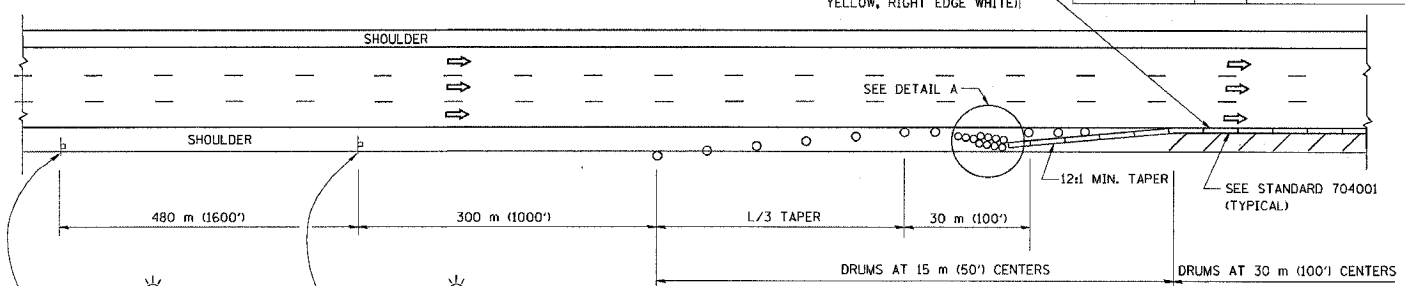
SYMBOLS

- ARROWBOARD
- WORK AREA
- SIGN ON PORTABLE OR PERMANENT SUPPORT
- FLAGGER WITH CONTROL SIGN
- DRUM WITH MONO-DIRECTIONAL STEADY BURNING LIGHT
- CONES - 700 (28) IN HEIGHT

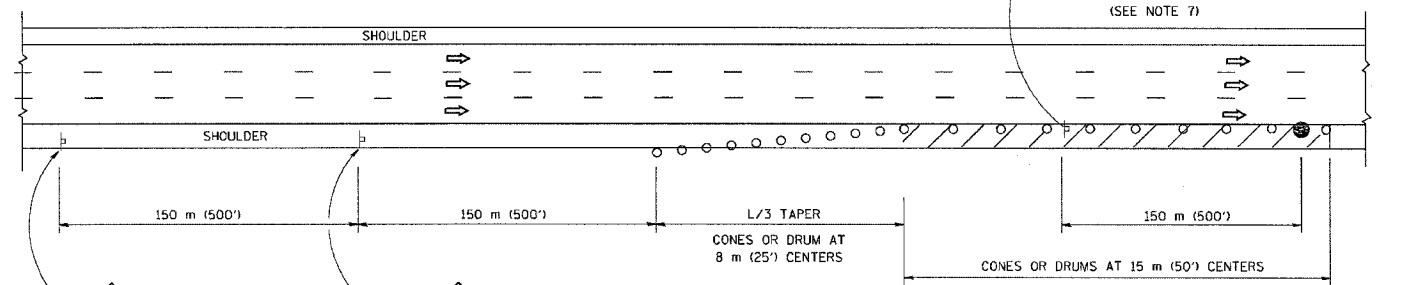
GENERAL NOTES

1. THE "L" DISTANCE EQUALS:  

SPEED LIMIT	FORMULAS
80 km/h (45 mph) OR GREATER:	METRIC: $L=0.65(W)(S)$ ENGLISH: $L=(W)(S)$
W = WIDTH OF OFFSET IN METERS (FEET)	S = NORMAL POSTED SPEED KM/H (MPH)
2. PLASTIC DRUMS WITH HIGH PERFORMANCE REFLECTIVE SHEETING AND STEADY BURNING LIGHTS ARE REQUIRED FOR ALL NIGHTTIME CLOSURES.
3. ALL SIGNS SHALL BE POST MOUNTED IF THE CLOSURE TIME EXCEEDS FOUR DAYS.
4. FLASHING LIGHTS SHALL BE USED DURING THE HOURS OF DARKNESS AND SHALL BE INSTALLED ABOVE THE FIRST TWO SETS OF SIGNS.

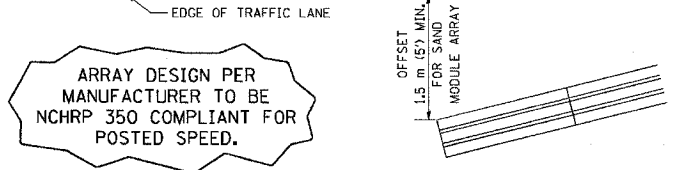


PERMANENT SHOULDER CLOSURE



DAYTIME SHOULDER CLOSURE

THIS DETAIL IS USED WHERE:  
 1. VEHICLES, EQUIPMENT, WORKERS OR THEIR ACTIVITIES ENCR OACH IN AN AREA CLOSER THAN 4.5 m (15') TO THE EDGE OF PAVEMENT FOR A PERIOD IN EXCESS OF 15 MINUTES.



DETAIL "A" IMPACT ATTENUATOR, TEMPORARY (SEE NOTE 5)

ALL DIMENSIONS ARE IN MILLIMETERS (INCHES) UNLESS OTHERWISE SHOWN.

REVISIONS	
NAME	DATE
DWS	11/96
JAF	12/02
NCHRP 350	04/03
JAF	2/06

ILLINOIS DEPARTMENT OF TRANSPORTATION  
**TRAFFIC CONTROL DETAILS FOR FREEWAY SHOULDER CLOSURES PARTIAL RAMP CLOSURES**  
 DESIGNED BY: DWS  
 DRAWN BY:  
 CHECKED BY:  
 TC-17

SCALE: NONE  
 DATE: 3/1/2006

PLOT DATE = 3/1/2006  
 FILE NAME = K:\address\17.dgn  
 PLOT SCALE = 50.0000 / 1 IN.  
 USER NAME = Jayne