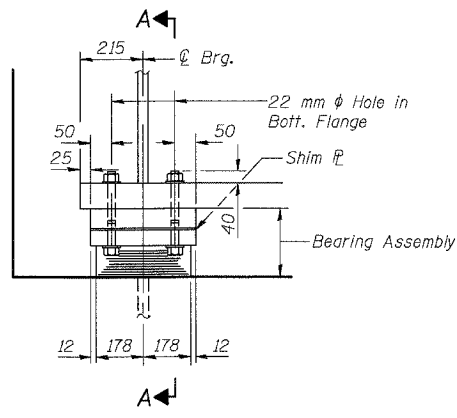
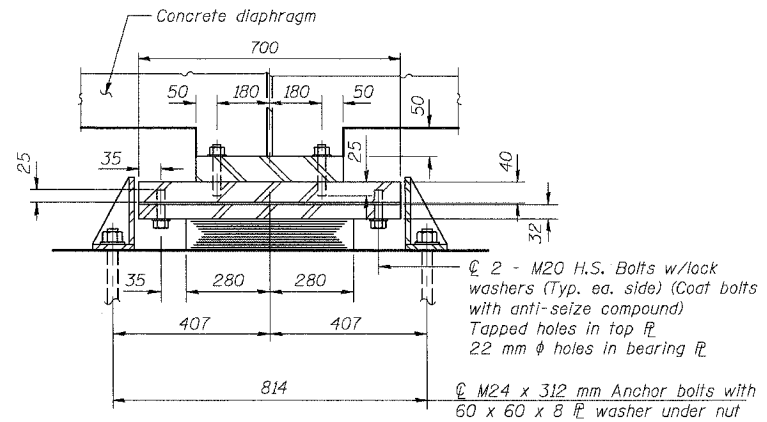


F.A.P. RTE.	SECTION	COUNTY	TOTAL SHEETS	SHEET NO.
343		COOK	24	11
STA.	TO STA.			
FED. ROAD DIST. NO.	ILLINOIS FED. AID PROJECT			

\*70H-B-F & 70D-Y-B-F CONTRACT NO. 60B70

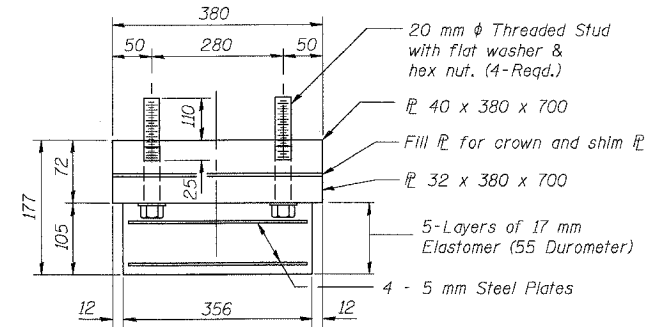


ELEVATION AT ABUT.



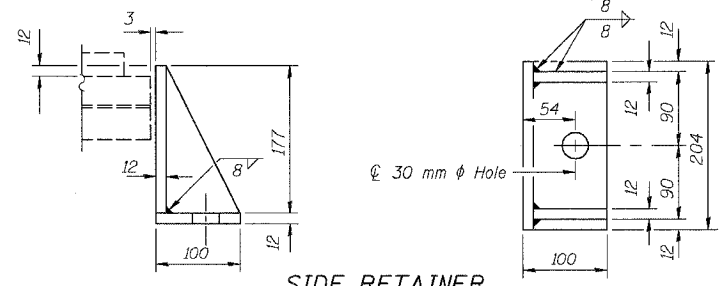
SECTION A-A

TYPE I ELASTOMERIC EXP. BRG.  
(East Abutment)



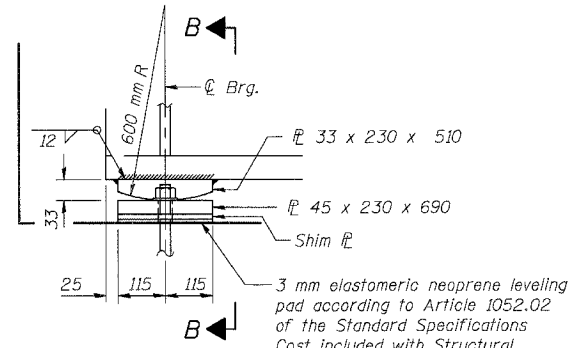
BEARING ASSEMBLY

Note: Shim plates shall not be placed under Bearing Assembly.



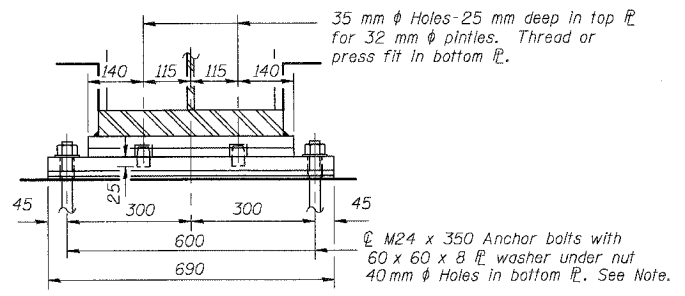
SIDE RETAINER

Equivalent rolled angle with stiffeners will be allowed in lieu of welded plates. Weight included with Structural Steel.

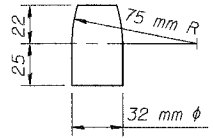


ELEVATION

FIXED BEARING  
(West Abutment)



SECTION B-B



PINTLE

ANCHOR BOLTS ARE NOT PART OF THIS CONTRACT

BILL OF MATERIAL

Item	Unit	Total
Furnishing Elastomeric Bearing Assembly, Type I	Each	11

NOTES:

- Structural steel for bearing plates shall be AASHTO M270M, Grade 250.
- Anchor bolts at fixed bearings may be built into the masonry.

SHT. S-11 OF S-24

REVISIONS		ILLINOIS DEPARTMENT OF TRANSPORTATION IL ROUTE 68 OVER US-14 & UPRR F.A.P. ROUTE 343 SECTION 70H-B-F & 70D-Y-B-F COOK COUNTY STRUCTURE NO. 016-2861 & 016-2732 BEARING DETAILS - SN 016-2861	
NAME	DATE		
		DESIGNED: BTO CHECKED: JAN	
			DRAWN: BTO CHECKED: JAN